



LUNA

felt ceiling cloud

 **MPS**[™]
ACOUSTICS



INSTALLATION GUIDELINES

Luna Acoustic Ceiling Clouds are easy to install. Each cloud should be mounted to the ceiling using included t-tabs, cable grippers, or zero-lift clips.

TOOLS REQUIRED

These tools are required for zero-lift clip and cable mount.

No tools needed for t-tab mounting.



Drill

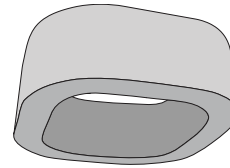


Screws (provided by MPS)

Installers should rely upon their own professional experience and understanding of their unique requirements to ensure a successful install.

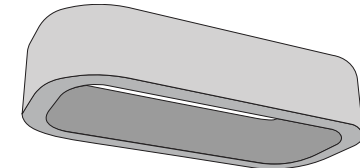
INCLUDED

Quantity, size, and shape clouds specific to your project.



SQUARE

OR



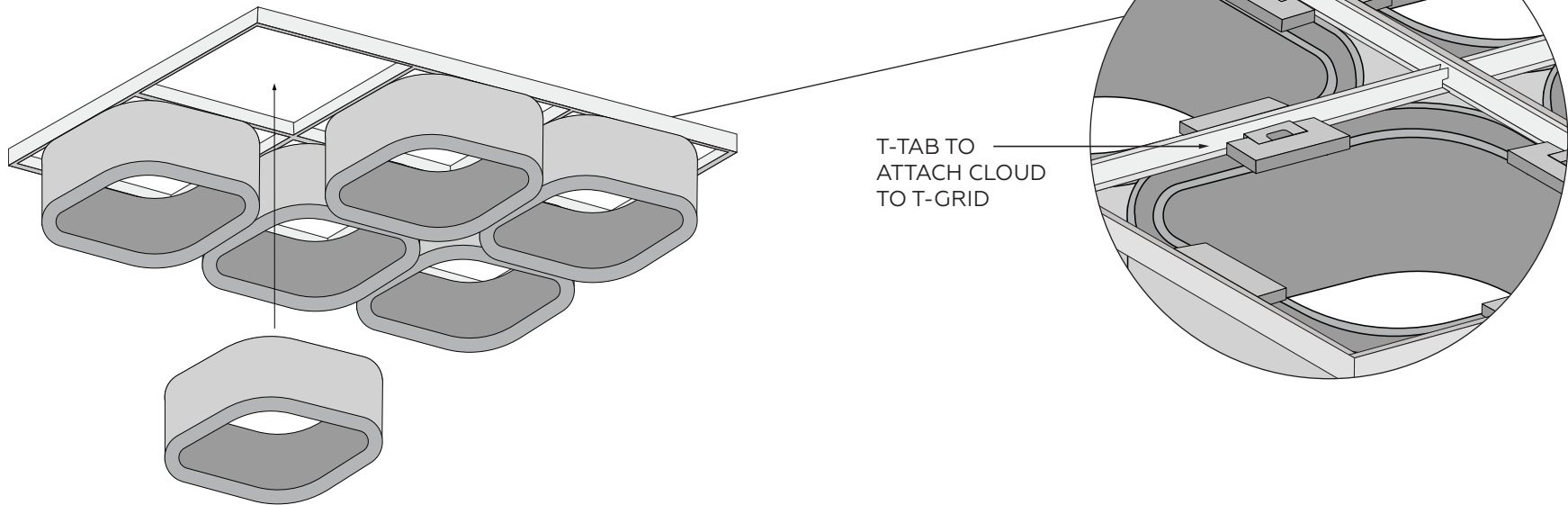
RECTANGLE



INSTALLATION GUIDELINES

T-TABS ON 15/16" T-GRID

Replace ceiling tiles with Luna by hooking each cloud to the ledge of the t-grid with the fixed tabs, then slide the moveable t-tabs outward to secure the cloud.



- Aligning the cloud to the t-grid ledge is shown in Figure 1.
- Sliding the t-tab onto the t-grid ledge to lock the cloud in place is shown in Figure 2.

[Click to watch animation.](#)

FIGURE 1

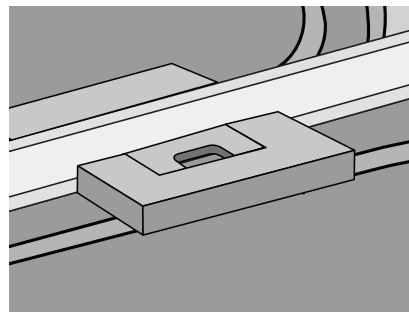
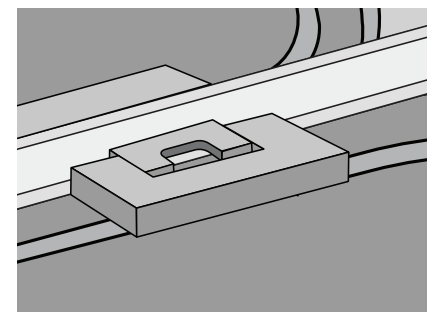


FIGURE 2



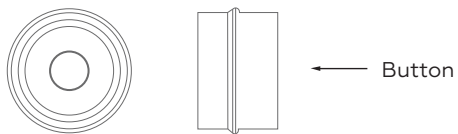
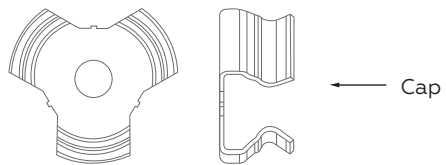
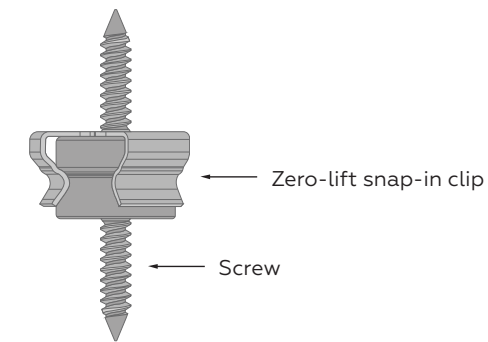


INSTALLATION GUIDELINES

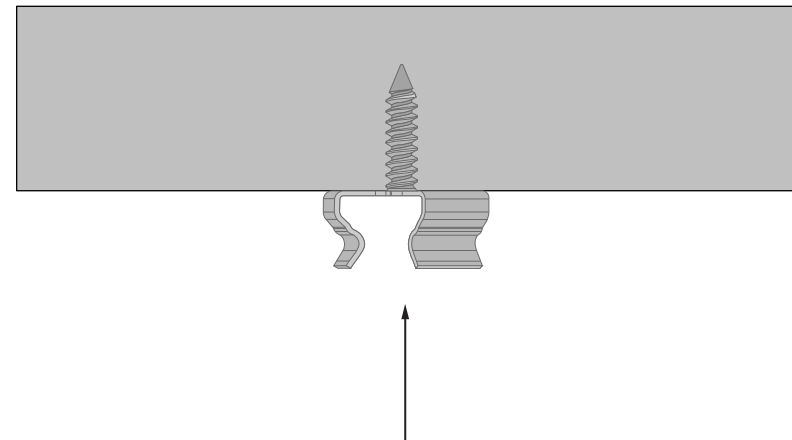
DRYWALL CEILING MOUNTING

Mount each Luna cloud to the drywall ceiling with zero-lift clips. Align the button to the cap and push until they snap together.

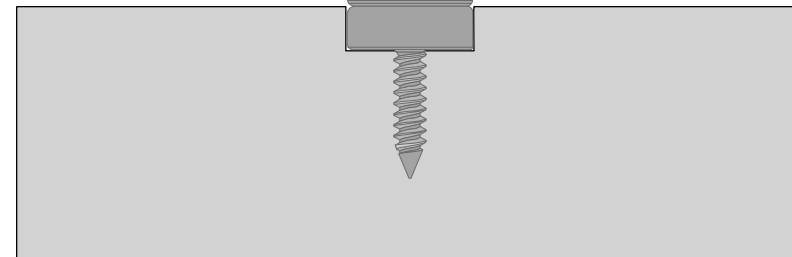
ZERO-LIFT CLIPS



Drywall Ceiling



Luna Cloud

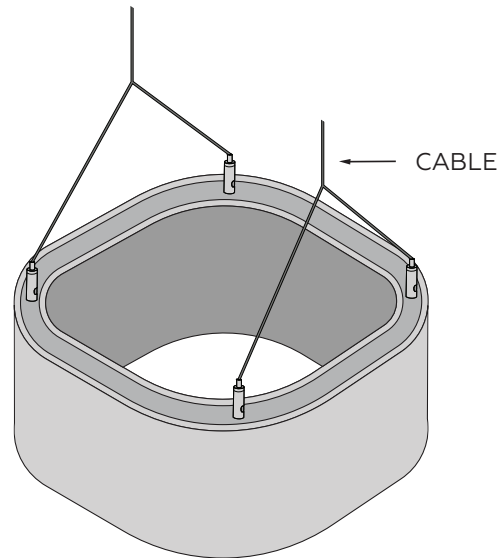
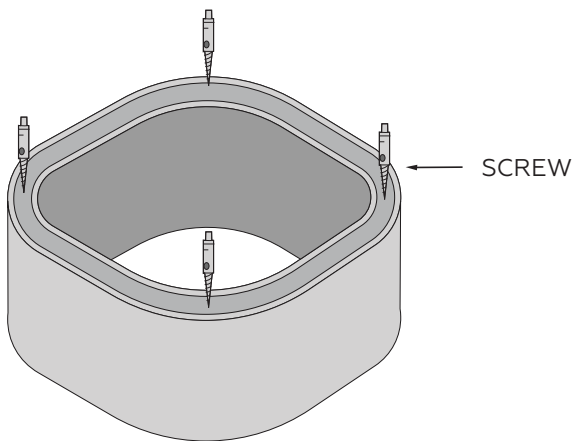
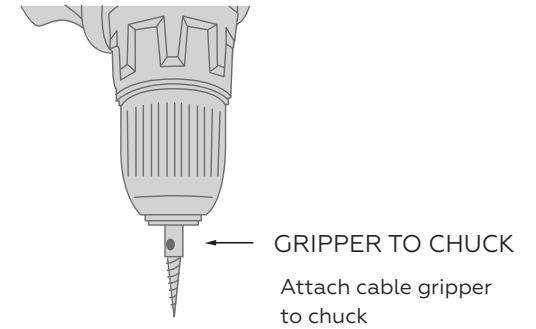
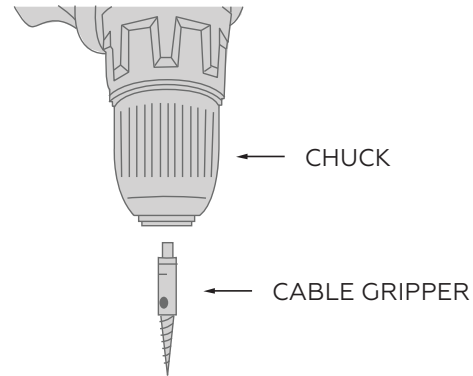
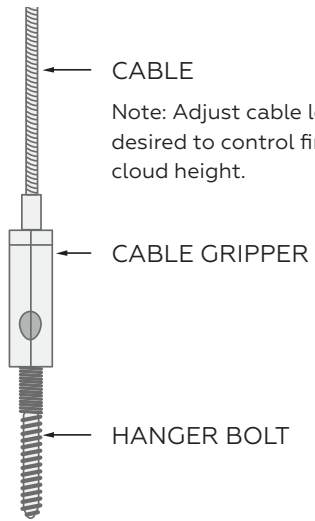




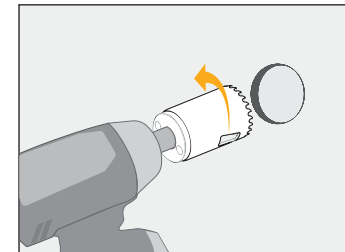
INSTALLATION GUIDELINES

CABLE GRIPPERS

Screw in four grippers to each Luna cloud and connect the cables to the grippers.



TRIMMING HOLES



When cutting a circular hole use a hole saw, and run it backwards to minimize pulling.



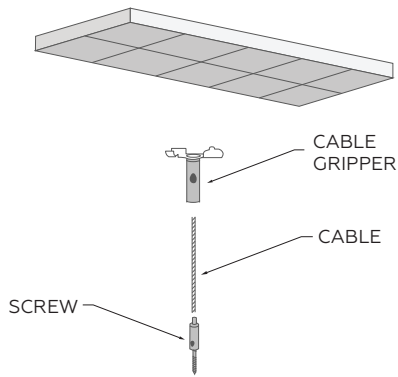
INSTALLATION GUIDELINES

CABLE GRIPPERS

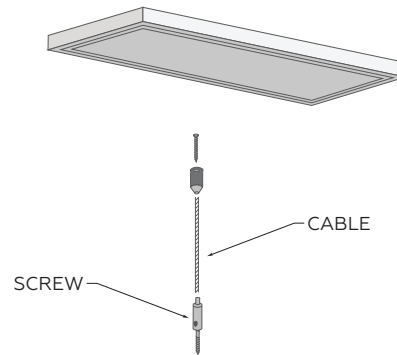
Attach the cable to any ceiling type with the provided hardware.

Drop Ceiling

Compatible with 15/16" t-grids.



Decorative Hard Ceiling



Hard Ceiling

