



## EDGE

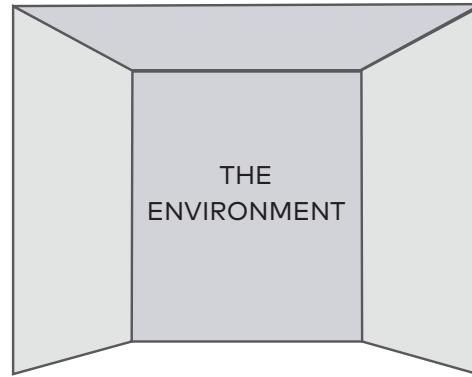
felt ceiling baffle



# HOW TO SPECIFY

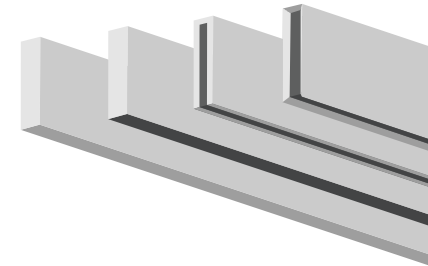
Edge Baffle provides a beautiful acoustic ceiling aesthetic that adds dimension to any space while also offering acoustical performance for a multi-functional solution.

## 01 SPECS



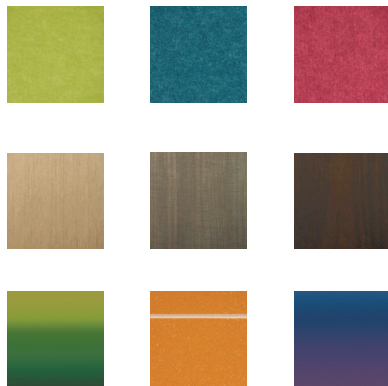
Tell us about your space, the design, and dimensions.

## 02 PROFILE



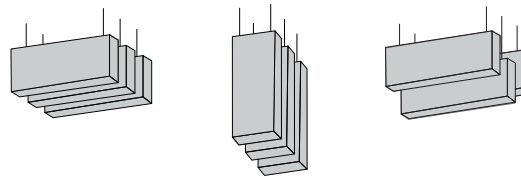
Choose from four unique profile finishes, including two-color options.

## 03 COLORS



Standard. Woodgrains. Customs. What's your color? (See page 6)

## 04 MAKE IT YOUR OWN!



Spec your own configuration. Customize orientation, spacing, etc.

## SHADES by MPS™



Even more color options with SHADES by MPS. (See page 6)



# PRODUCT SPECIFICATIONS

## CUSTOM BAFFLE DIMENSIONS

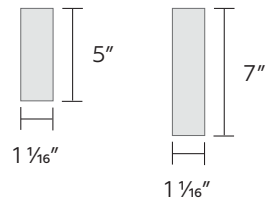
Variable Length                    24" - 119"L

Standard                            5"H or 7"H x 1 1/16"W

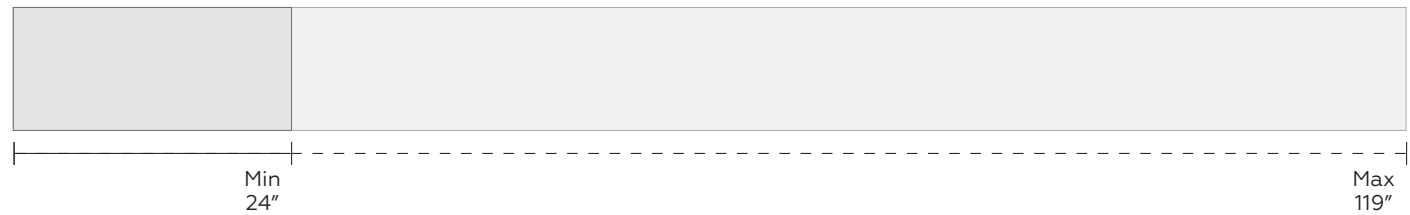
\*Custom heights and widths available

- Mounting hardware is modular and designed to mount anywhere on the baffle.
- Up to 36" between mounting locations is recommended.
- Compatible with 9/16" (twist clips) and 15/16" t-grids (provided by others).

## PROFILE

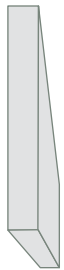


## ELEVATION



## CHOOSE YOUR EDGE

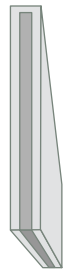
- Edge is offered in four unique profiles, and the choice between monochromatic or duotone color options.



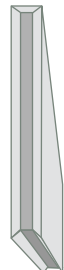
Classic



Line



Sandwich



Angle

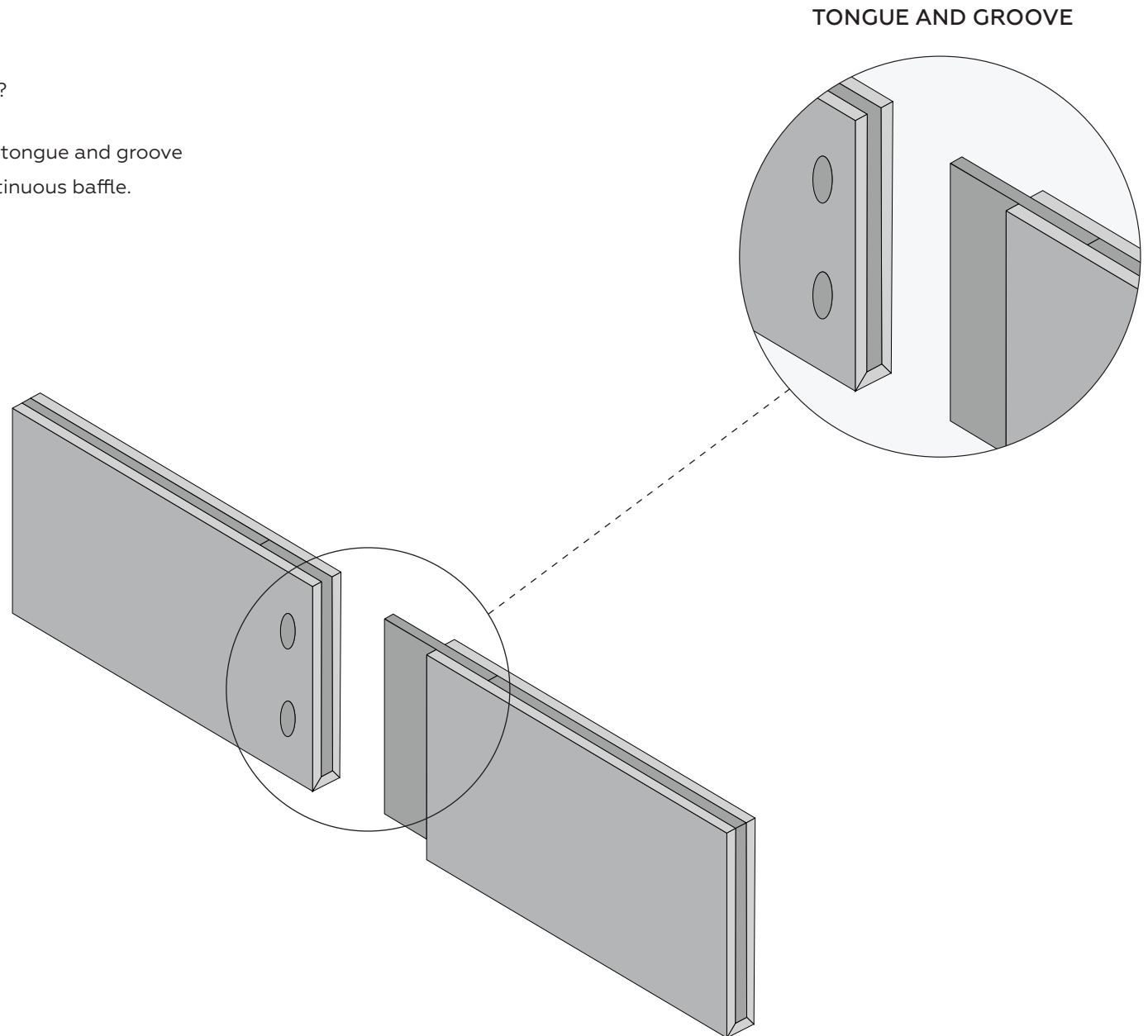


## PRODUCT SPECIFICATIONS

### CONTINUOUS BAFFLE

Need Edge to span a larger space?

Connect multiple baffles with the tongue and groove to make it look like one, long, continuous baffle.





# TECHNICAL SPECIFICATIONS



## Absorption

Standard: 1.4 NRC  
Recommend spacing  
for max NRC: 3"

## Fire Rating

ASTM E84 Class A

## Warranty

Two (2) Years

## VOC

ASTM D5116 Compliant

## Material

PET Felt: 100% polyester fiber

## Maintenance

Vacuum clean to remove dust  
and debris

## Sustainability



**MPS 9mm Acoustic Panels**  
**MPS LLC**

**Final Assembly:** Plano, Texas, USA  
**Life Expectancy:** 50 Year(s)  
**End of Life Options:** Salvageable/Reusable in its Entirety, Take Back Program (Plano, TX), Recyclable (100%)

---

**Ingredients:**  
Polyethylene Terephthalate

---

**Living Building Challenge Criteria:** Compliant

---

**I-13 Red List:**  
 LBC Red List Free      % Disclosed: 100% at 100ppm  
 LBC Red List Approved      VOC Content: Not Applicable  
 Declared

**I-10 Interior Performance:** CDPH Standard Method v1 2-2017  
**I-14 Responsible Sourcing:** Not Applicable

MPS-0001  
 EXP. 01 NOV 2026  
 Original Issue Date: 2022

MANUFACTURER RESPONSIBLE FOR LABEL ACCURACY  
 INTERNATIONAL LIVING FUTURE INSTITUTE™ [living-future.org/declare](http://living-future.org/declare)





# COLORS & WOODGRAINS

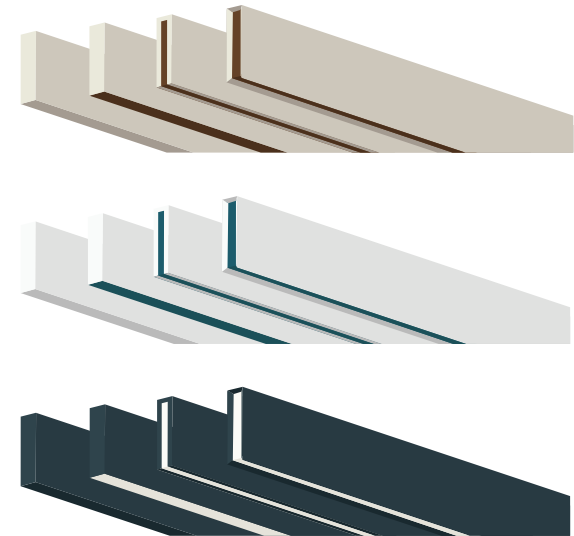
MPS offers a range of standard colors, woodgrains, and custom colors with SHADES.

## STANDARD COLORS



Monochrome or duotone? Edge comes in one or two colors to enhance its unique profile options.

\*Available in any color pairing



## WOODGRAINS



## SHADES by MPS

Your design world revolves around color, so don't be limited by standard colors and outdated palettes. We've distilled years of testing into a three-tier system that protects print quality and design intent.

\*Some limitations apply. Consult your MPS acoustics expert to discuss your project.

<p><b>RECOMMENDED</b></p> <p><b>Signature Series</b></p> <p>Proven color. Perfect results.</p>	<p><b>GUIDED CUSTOM</b></p> <p><b>Studio Collaboration</b></p> <p>Your color, guided by our expertise.</p>	<p><b>BESPOKE</b></p> <p><b>The Color Lab</b></p> <p>When your color needs to be one-of-a-kind.</p>
--	--	---



# ADDITIONAL CURATED COLORS

MPS offers a range of over 50 curated colors.

LINEN AVOCADO	GLEEFUL AVOCADO	LILY PAD	BASIL	CACTUS	TAUPE SAND	TURTLE AVOCADO	DRIZZLE	ARTICHOKE MARBLE	PARADISE AVOCADO	ROSEMARY SAGE
ASSURED MARBLE	SILDEN CREAM	CLOUD SAGE	GRAND CANAL KHAKI	HUNTER OCEAN	JADE DENIM	DELFT DENIM	STORM DENIM	SKY MARBLE	DEEP GRANITE	STILL EVERGREEN
SLATE IVORY	BLUE MARBLE	MYTHICAL SAGE	PINES IVORY	GROVE IVORY	HAZE GRAPHITE	UNDERSEA GRANITE	GARDEN WINE	ACIER SLATE	RIVER GRAPHITE	ALEXANDRITE EVERGREEN
SAND BISCUIT	COCOA CREAM	STUDIO SAND	BEIGE EARTH	COBBLE BISCUIT	BRANDYWINE KHAKI	ROJO SAND	SANGRIA	FIREWEED KHAKI	AMBER COFFEE	FRENCH MARBLE
ROSE IVORY	PEACH IVORY	GOLD SAND	ROGUE CREAM	ROSE WINE	BURGUNDY WINE	REDBUD OCEAN	PRESSED SAGE	PEPPERCORN GRANITE		

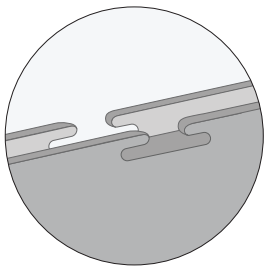


## MOUNTING OPTIONS

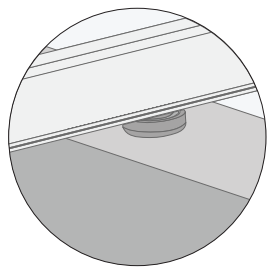
### MOUNTING ON T-GRID & UNISTRUT

Edge baffles are intended for "On Grid" or "T-Bar Ceiling", or Unistrut mounting and are to be installed with GridFit, magnets, twist clips, cable grippers, or zero-lift clips.

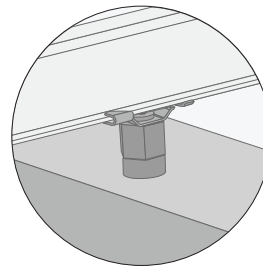
Continue for details on each mounting option.



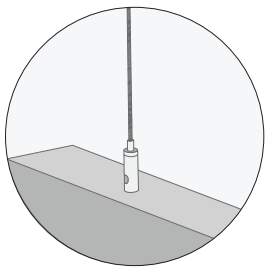
GRIDFIT



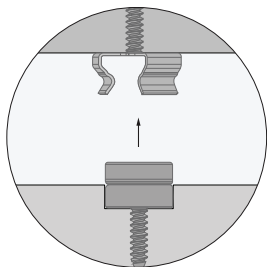
MAGNETS



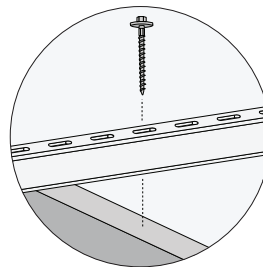
TWIST CLIPS



CABLE GRIPPERS



ZERO-LIFT CLIPS



UNISTRUT

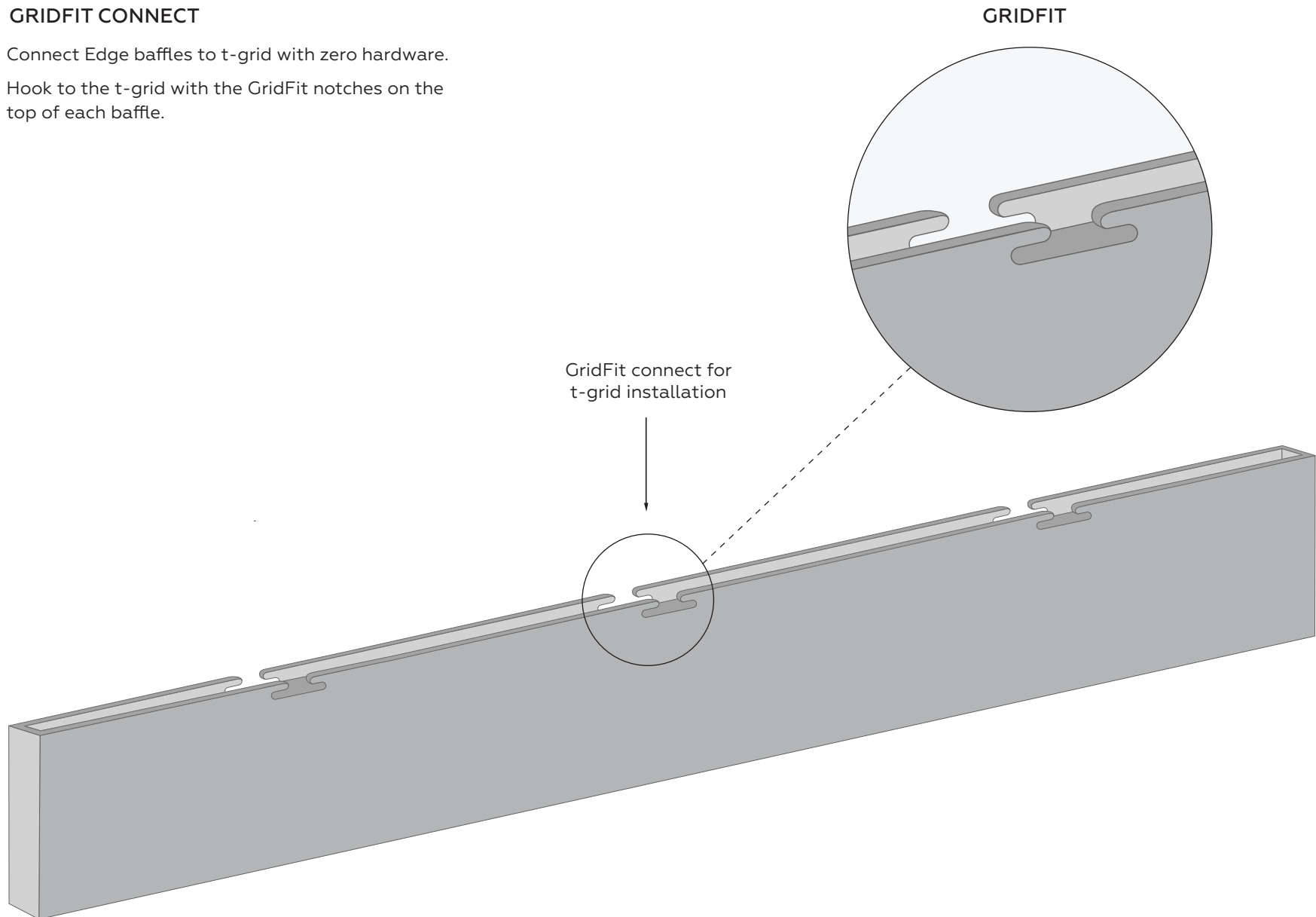


## MOUNTING OPTIONS

### GRIDFIT CONNECT

Connect Edge baffles to t-grid with zero hardware.

Hook to the t-grid with the GridFit notches on the top of each baffle.





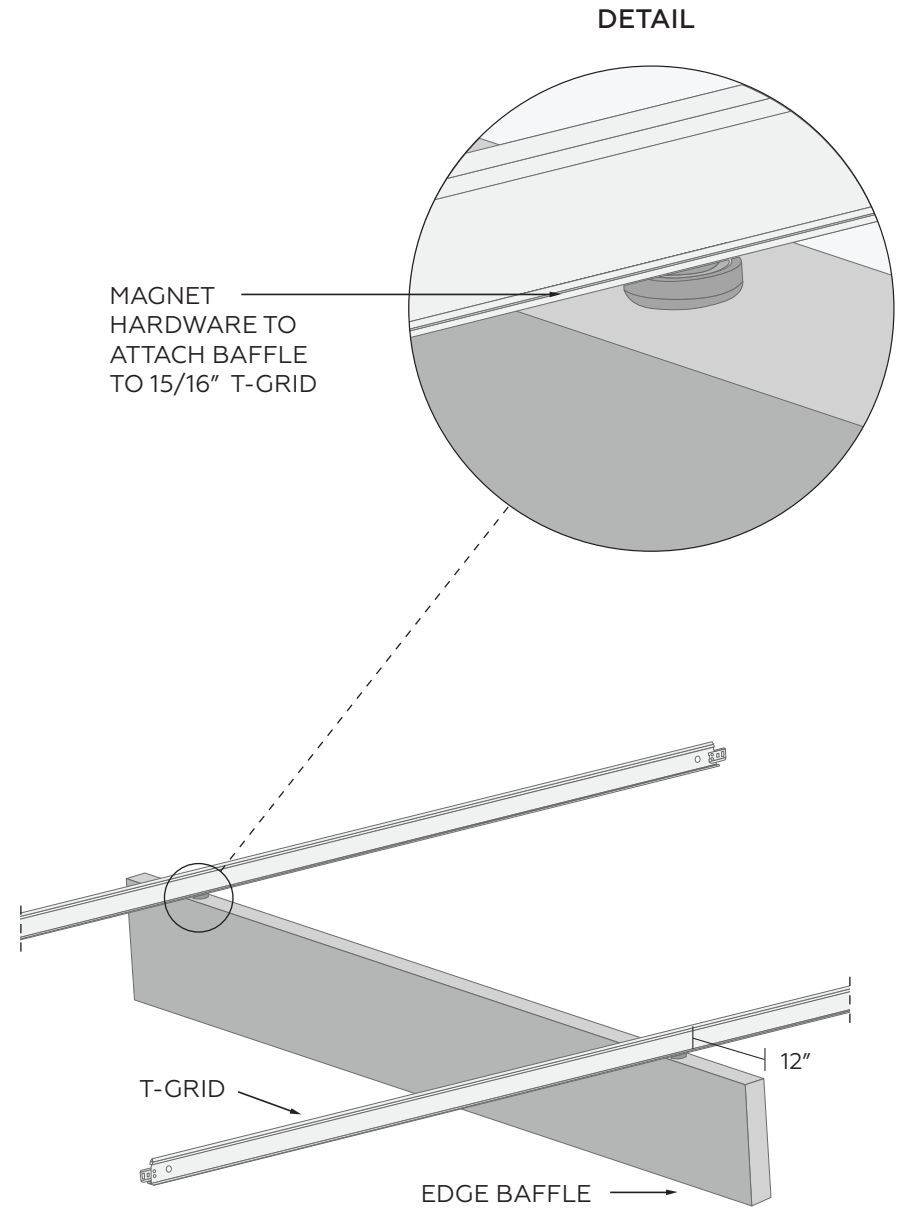
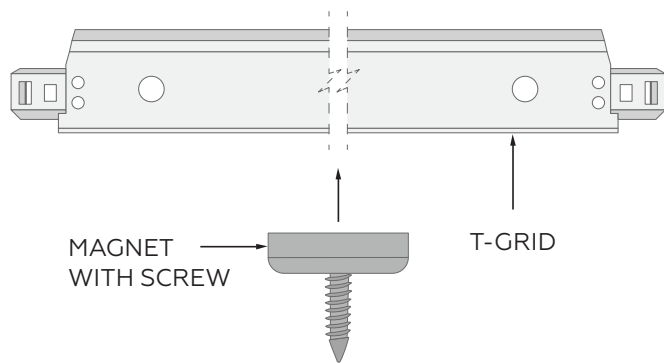
## MOUNTING OPTIONS

### MOUNTING ON T-GRID

Compatible with 15/16" t-grid or unistrut.

Starting mount is 12" on either side. Choose any point on the baffle for additional mounting locations.

\*This applies to all mounting options

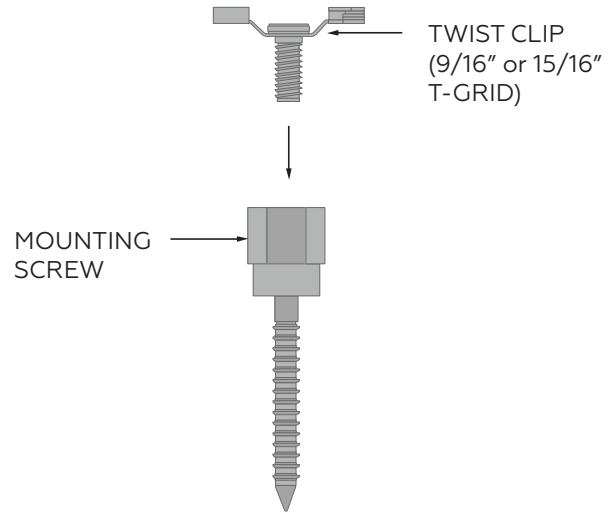




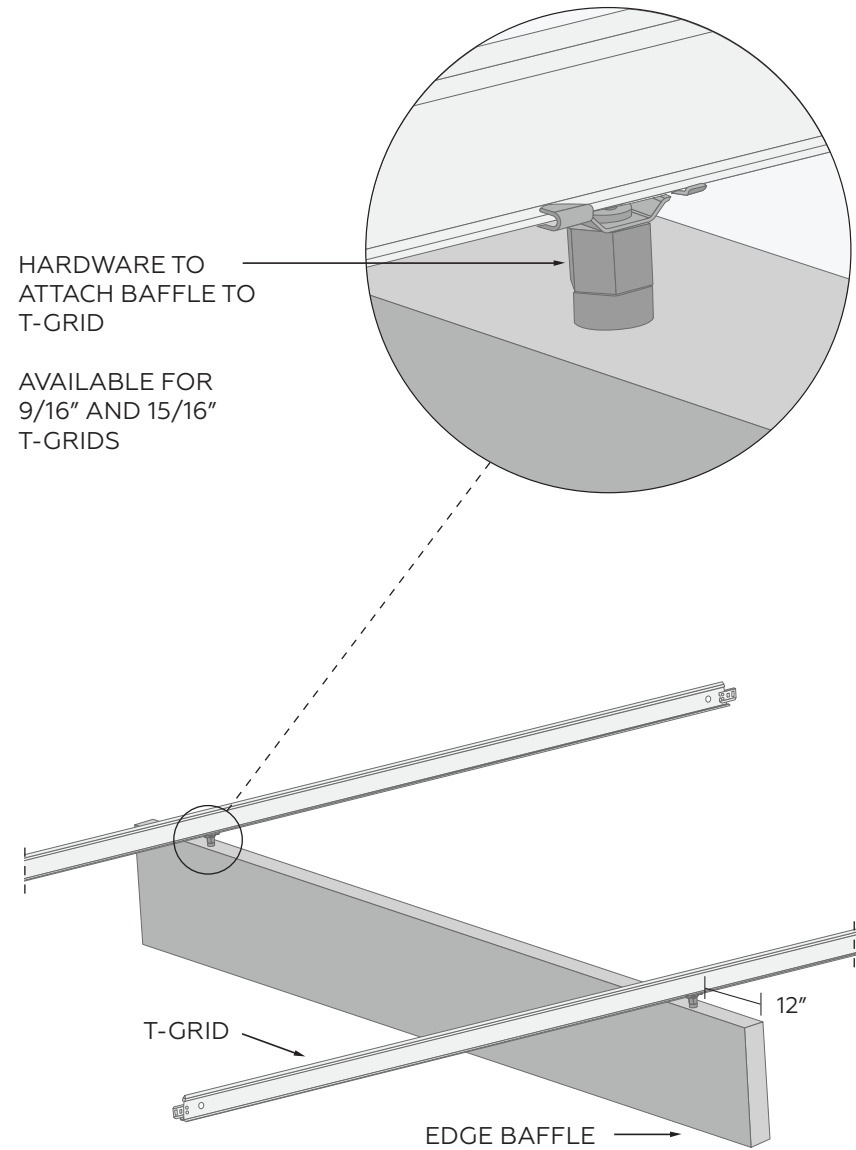
# MOUNTING OPTIONS

## TWIST CLIPS

Compatible with 9/16" and 15/16" t-grids.



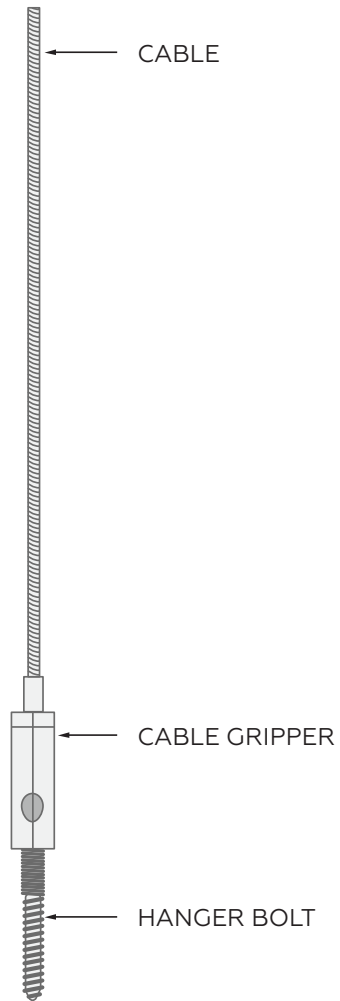
## DETAIL



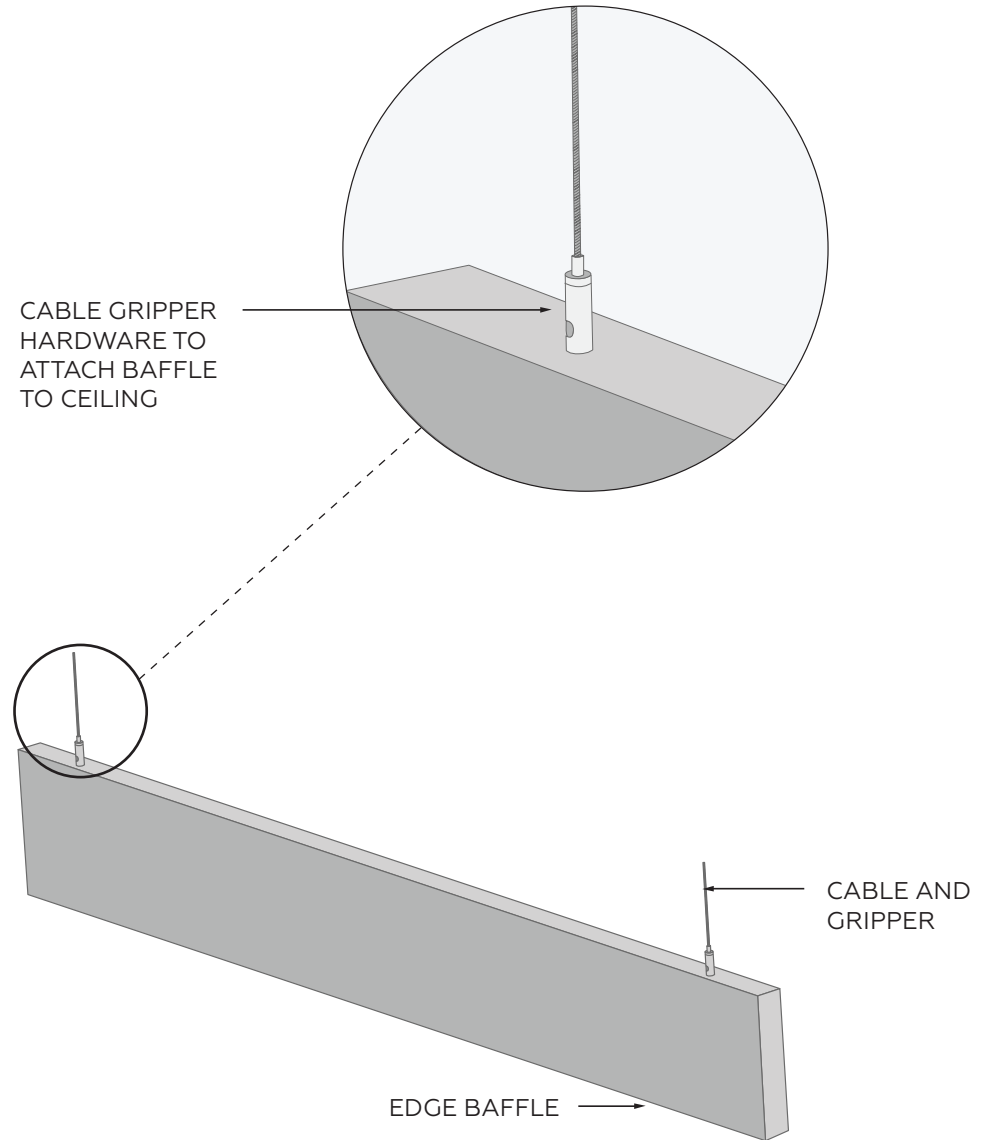


# MOUNTING OPTIONS

## CABLE GRIPPERS



## DETAIL



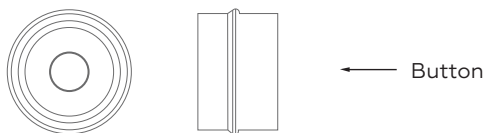
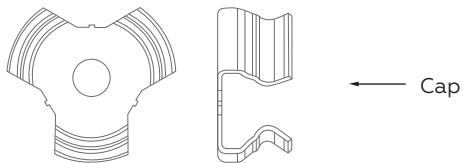
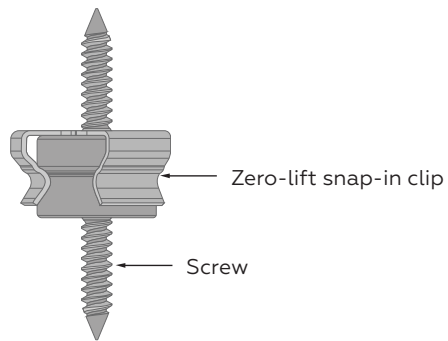


# MOUNTING OPTIONS

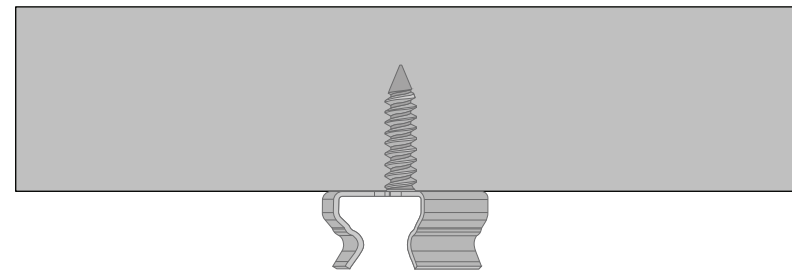
## DRYWALL CEILING MOUNTING

Edge mounted on a drywall ceiling is to be installed with zero lift clips.

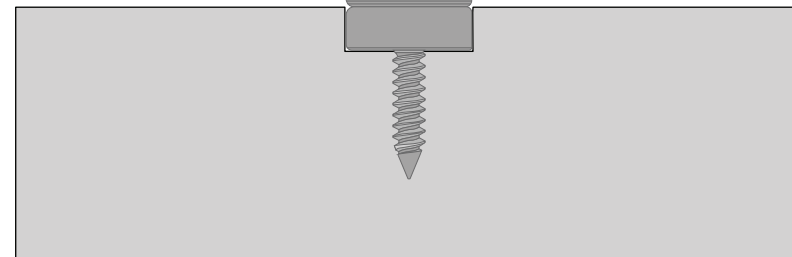
### ZERO-LIFT CLIPS



Drywall Ceiling



Edge Baffle





## MOUNTING OPTIONS

### UNISTRUT

Edge can be suspended from Unistrut using threaded rods and screws, allowing for secure and adjustable mounting to structure above.

