



# CREEP

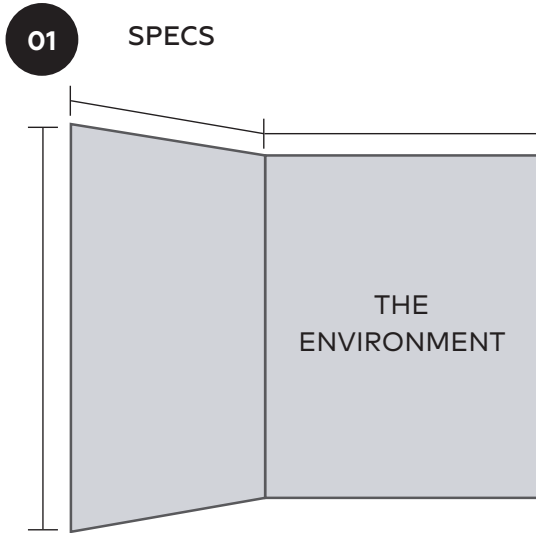
felt wall and ceiling



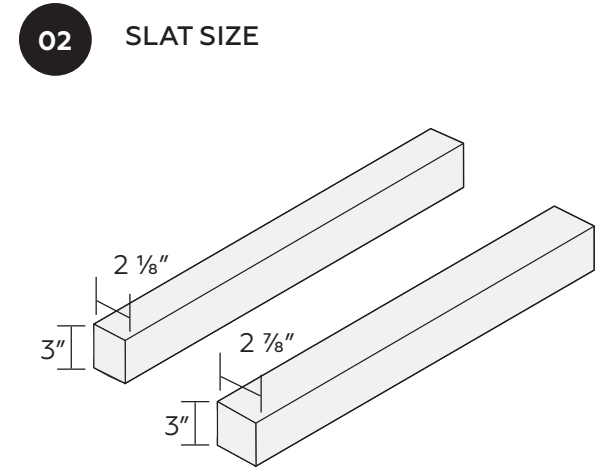
# HOW TO SPECIFY

Creep provides a uniquely effective wall panel and baffle design with a low-profile aesthetic.

The orientation of this unique acoustic system can be configured vertically, horizontally, or in virtually any custom design layout.

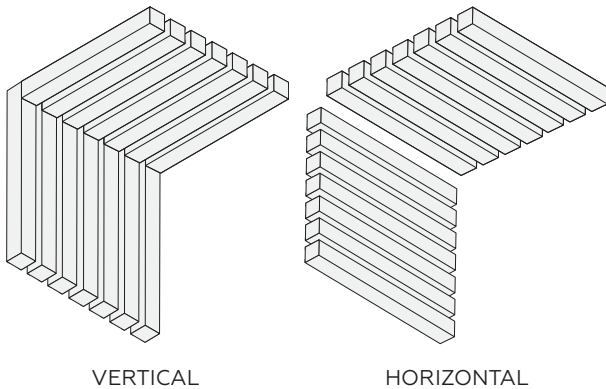


Tell us about your space, the design, and dimensions.



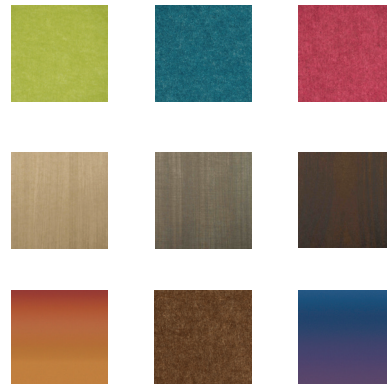
What slat size does your design call for? Creep is offered in two standard sizes.

## 03 ORIENTATION



Creep comes in two orientations. Get it vertical or horizontal.

## 04 COLORS



Standard. Woodgrains. Customs. What's your color? (See page 6)

## 05 MAKE IT YOUR OWN!

SHADES by MPS



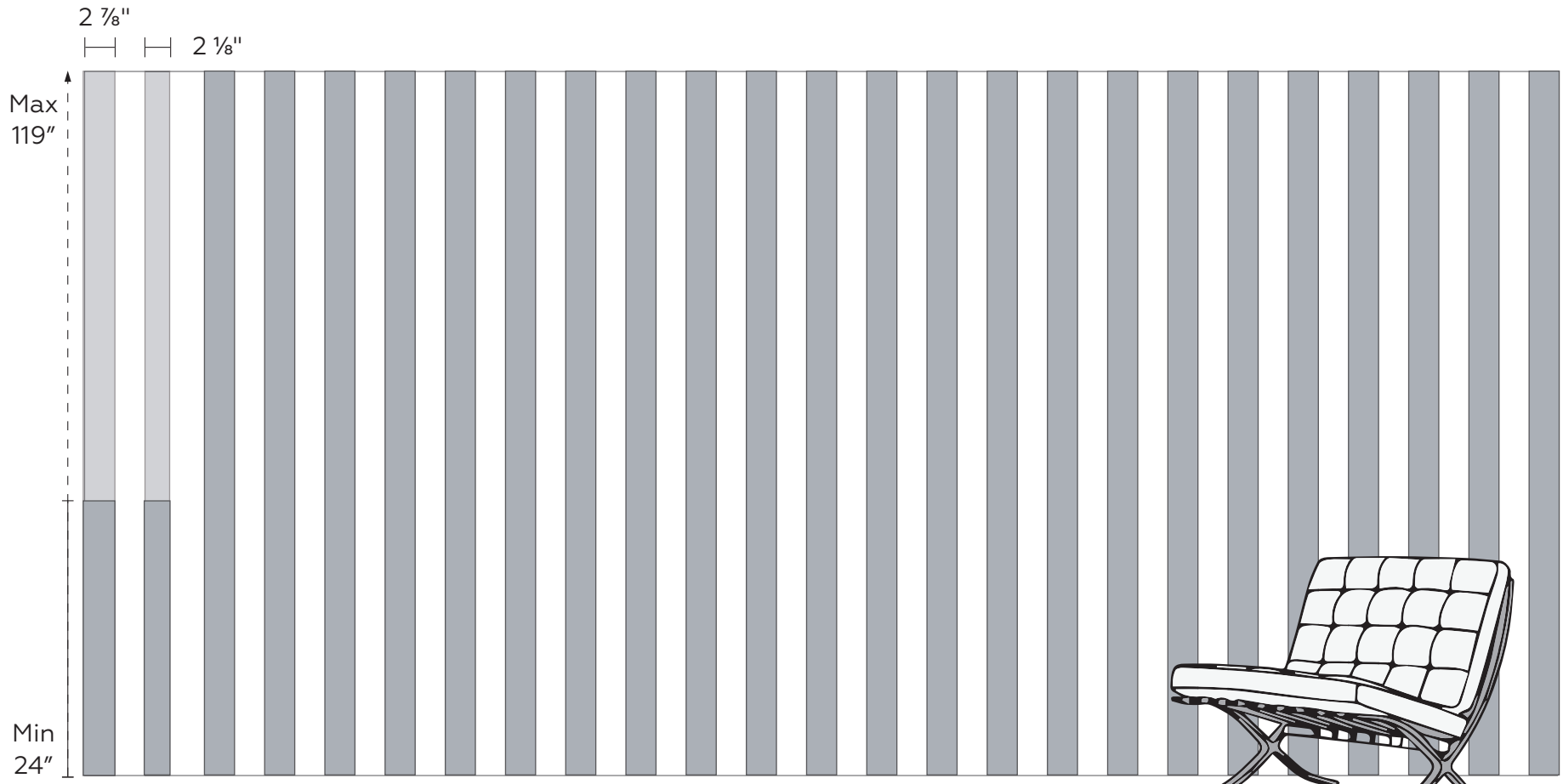
Even more color options with SHADES by MPS. (See page 6)



# PRODUCT SPECIFICATIONS

## CUSTOM BAFFLE DIMENSIONS

Variable Length	24" - 119"L
Small	3"D x 2 1/8"W
Large	3"D x 2 7/8"W



\*Customize width using 24" standard panels

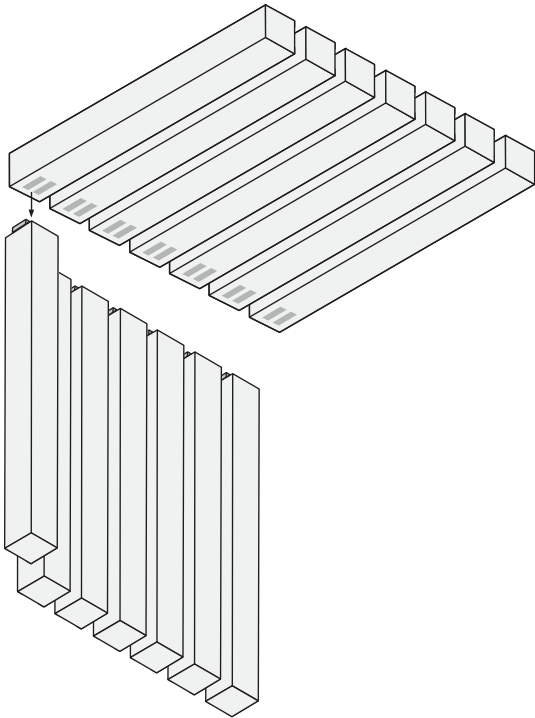




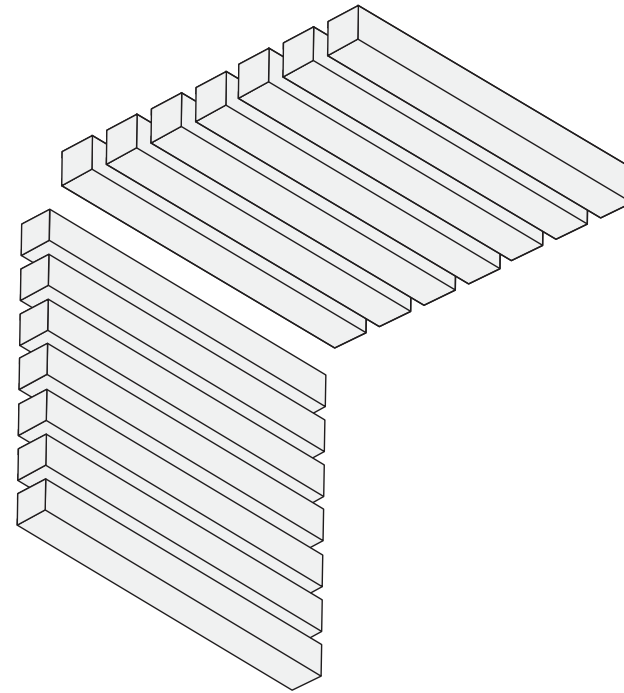
# PRODUCT SPECIFICATIONS

## ORIENTATION OPTIONS

Creep comes in two standard orientations.



VERTICAL



HORIZONTAL



# TECHNICAL SPECIFICATIONS



## Absorption

Standard: .85 NRC

(subject to mounting conditions)

## Fire Rating

ASTM E84 Class A

## Warranty

Two (2) Years

## VOC

ASTM D5116 Compliant

## Material

100% PET acoustic felt

## Maintenance

Vacuum clean to remove dust and debris

## Sustainability

**MPS 9mm Acoustic Panels**  
MPS LLC

**Final Assembly:** Plano, Texas, USA  
**Life Expectancy:** 50 Year(s)  
**End of Life Options:** Salvageable/Reusable in its Entirety, Take Back Program (Plano, TX), Recyclable (100%)

**Ingredients:**  
Polyethylene Terephthalate

**Living Building Challenge Criteria:** Compliant

**I-13 Red List:**  
 LBC Red List Free      % Disclosed: 100% at 100ppm  
 LBC Red List Approved      VOC Content: Not Applicable  
 Declared

**I-10 Interior Performance:** CDPH Standard Method v1 2-2017  
**I-14 Responsible Sourcing:** Not Applicable

MPS-0001  
EXP. 01 NOV 2026  
Original Issue Date: 2022

MANUFACTURER RESPONSIBLE FOR LABEL ACCURACY  
INTERNATIONAL LIVING FUTURE INSTITUTE™ [living-future.org/declare](http://living-future.org/declare)





# COLORS & WOODGRAINS

MPS offers a range of standard colors, woodgrains, and custom colors with SHADES.

## STANDARD COLORS



## WOODGRAINS



## SHADES by MPS™

Your design world revolves around color, so don't be limited by standard colors and outdated palettes. We've distilled years of testing into a three-tier system that protects print quality and design intent.

\*Some limitations apply. Consult your MPS acoustics expert to discuss your project.

<p><b>RECOMMENDED</b></p> <p><b>Signature Series</b></p> <p>Proven color. Perfect results.</p>	<p><b>GUIDED CUSTOM</b></p> <p><b>Studio Collaboration</b></p> <p>Your color, guided by our expertise.</p>	<p><b>BESPOKE</b></p> <p><b>The Color Lab</b></p> <p>When your color needs to be one-of-a-kind.</p>
----------------------------------------------------------------------------------------------------	----------------------------------------------------------------------------------------------------------------	-------------------------------------------------------------------------------------------------------------



# PRODUCT INSTALLATION

## TOOLS REQUIRED



Cutting tool



Steel straightedge



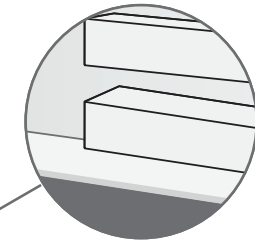
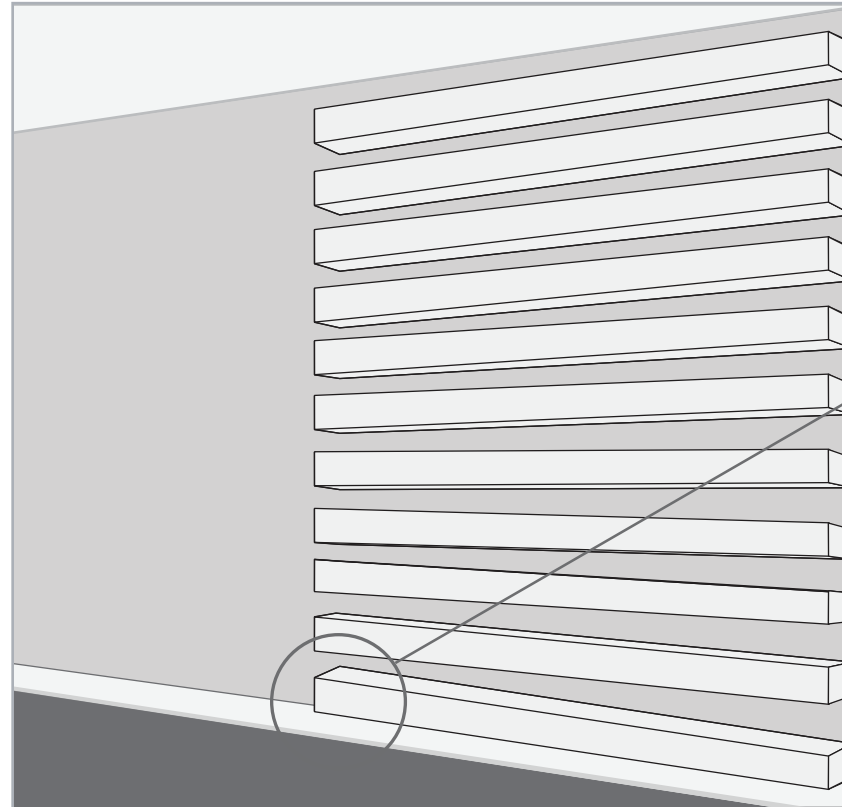
Drill



Screws

## DRY FIT

Before mounting, dry fit the first slat to the wall.



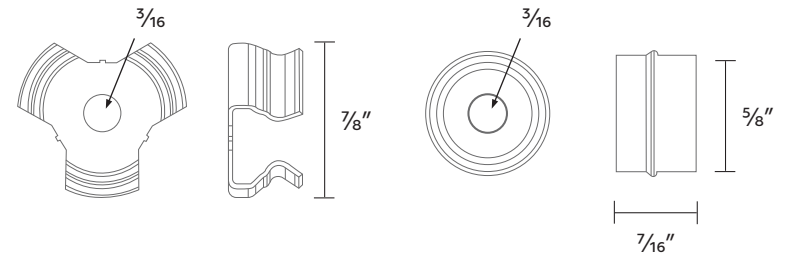
Note: to avoid irregularity, we recommend applying to the top of a baseboard.



# MOUNTING OPTIONS - WALL

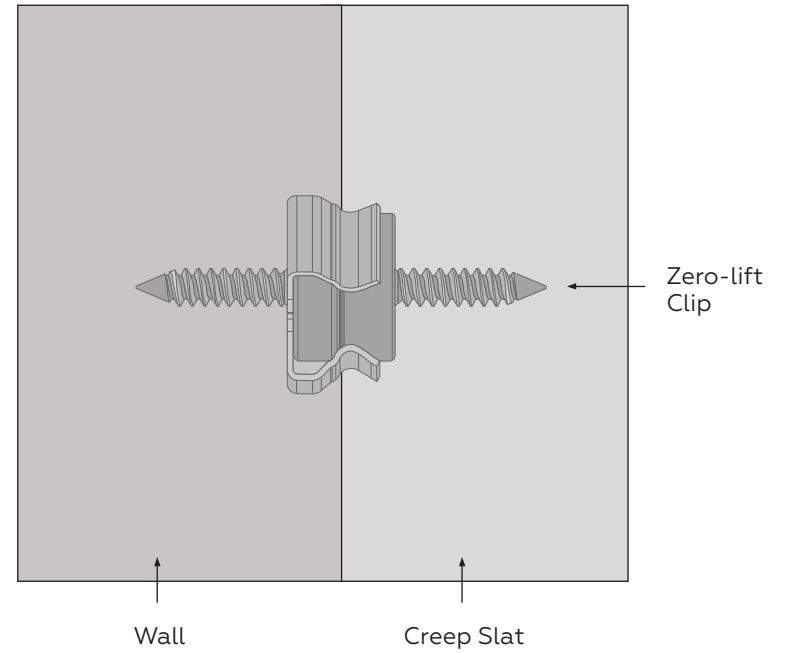
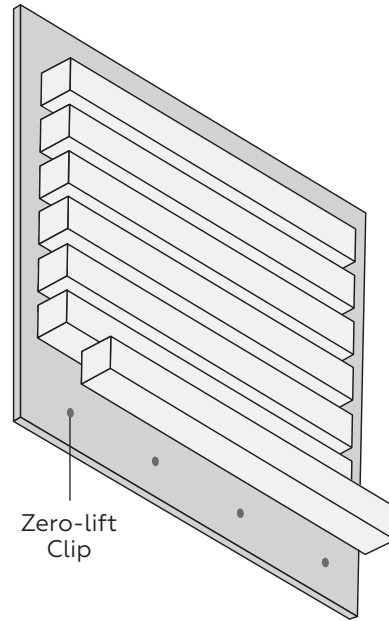
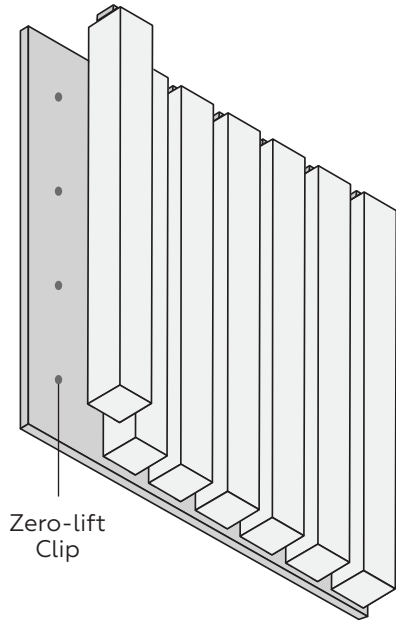
## CREEP WALL SLATS

Mount each slat to the wall with zero-lift clips.



VERTICAL

HORIZONTAL



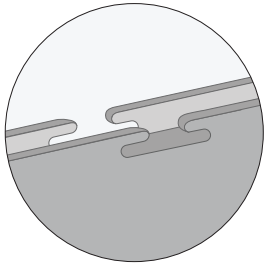


## MOUNTING OPTIONS - CEILING

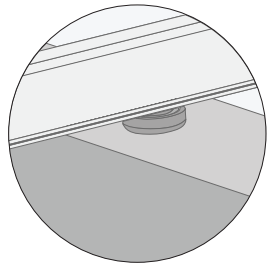
### MOUNTING ON T-GRID & UNISTRUT

Creep baffles are intended for "On Grid" or "T-Bar Ceiling", or Unistrut mounting and are to be installed with GridFit, magnets, twist clips, or cable grippers.

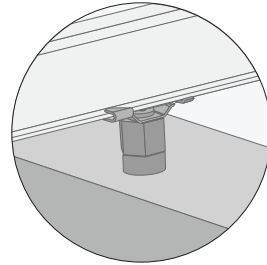
Continue for details on each mounting option.



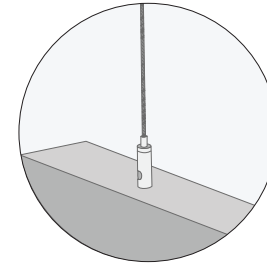
GRIDFIT



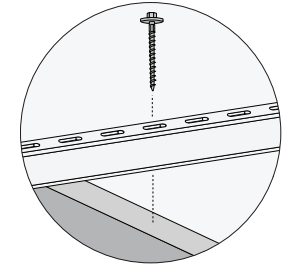
MAGNETS



TWIST CLIPS



CABLE GRIPPERS



UNISTRUT

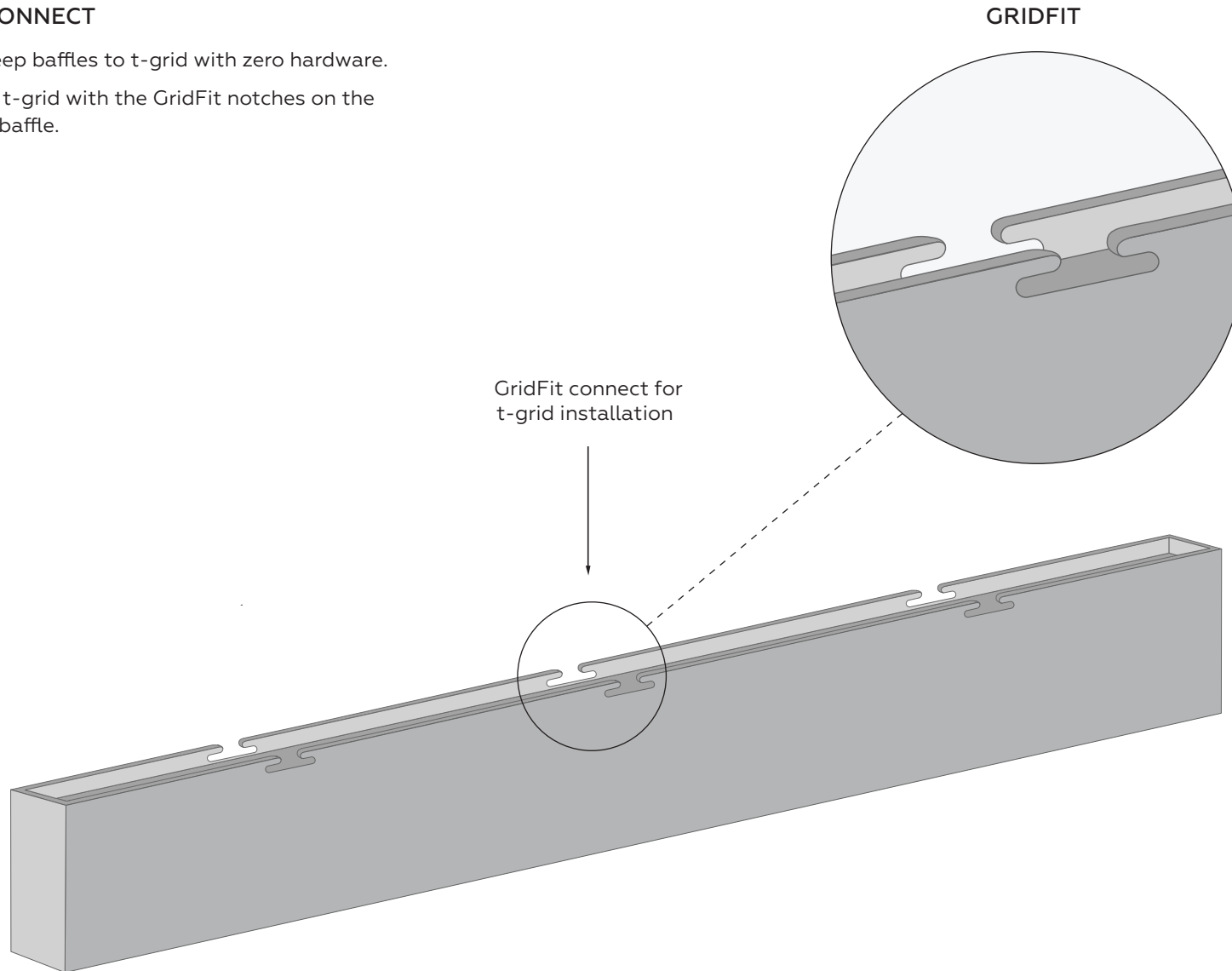


## MOUNTING OPTIONS - CEILING

### GRIDFIT CONNECT

Connect Creep baffles to t-grid with zero hardware.

Hook to the t-grid with the GridFit notches on the top of each baffle.





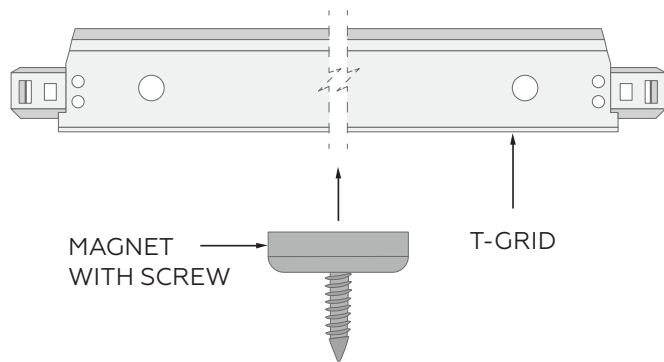
## MOUNTING OPTIONS - CEILING

### MOUNTING ON T-GRID

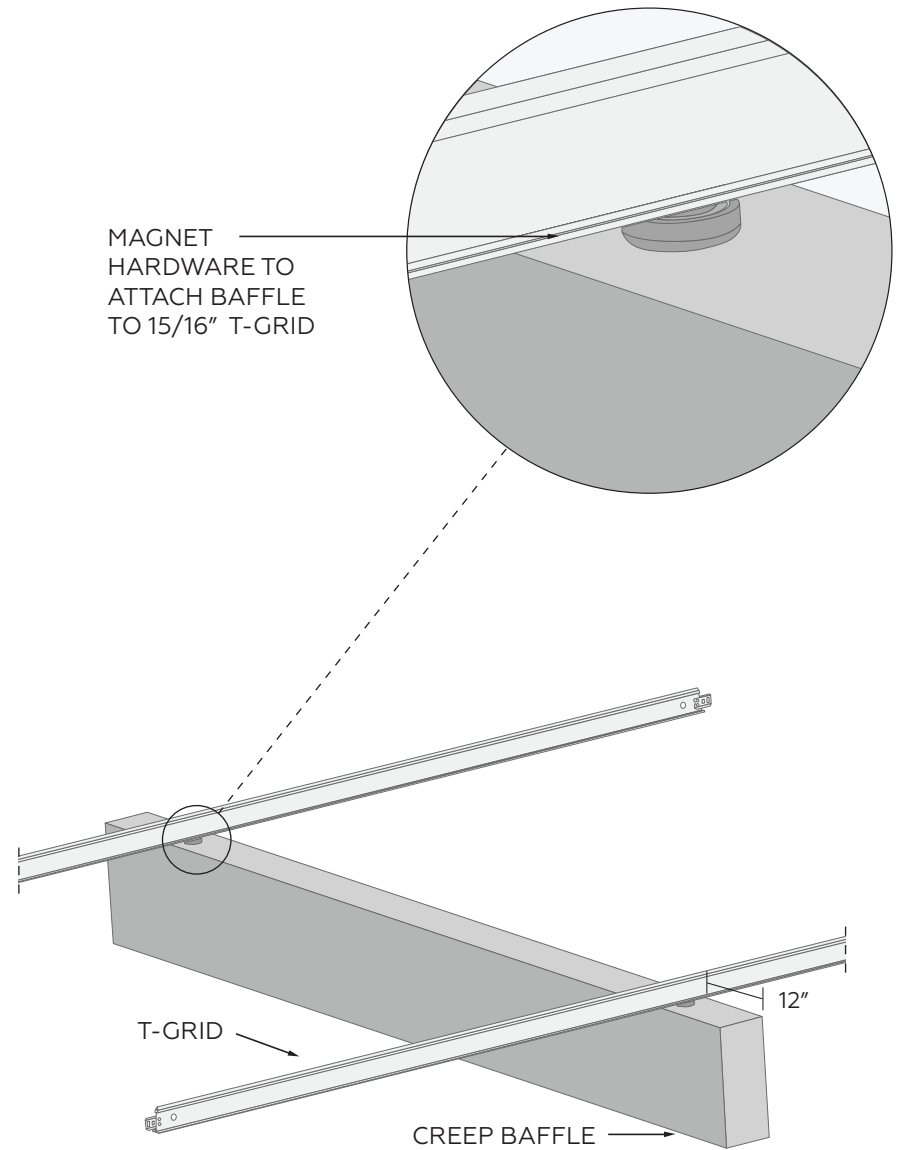
Compatible with 15/16" t-grid or unistrut.

Starting mount is 12" on either side. Choose any point on the baffle for additional mounting locations.

\*This applies to all mounting options



### DETAIL

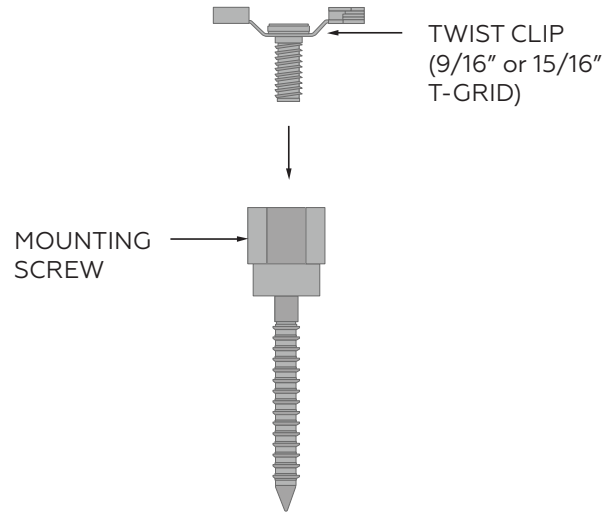




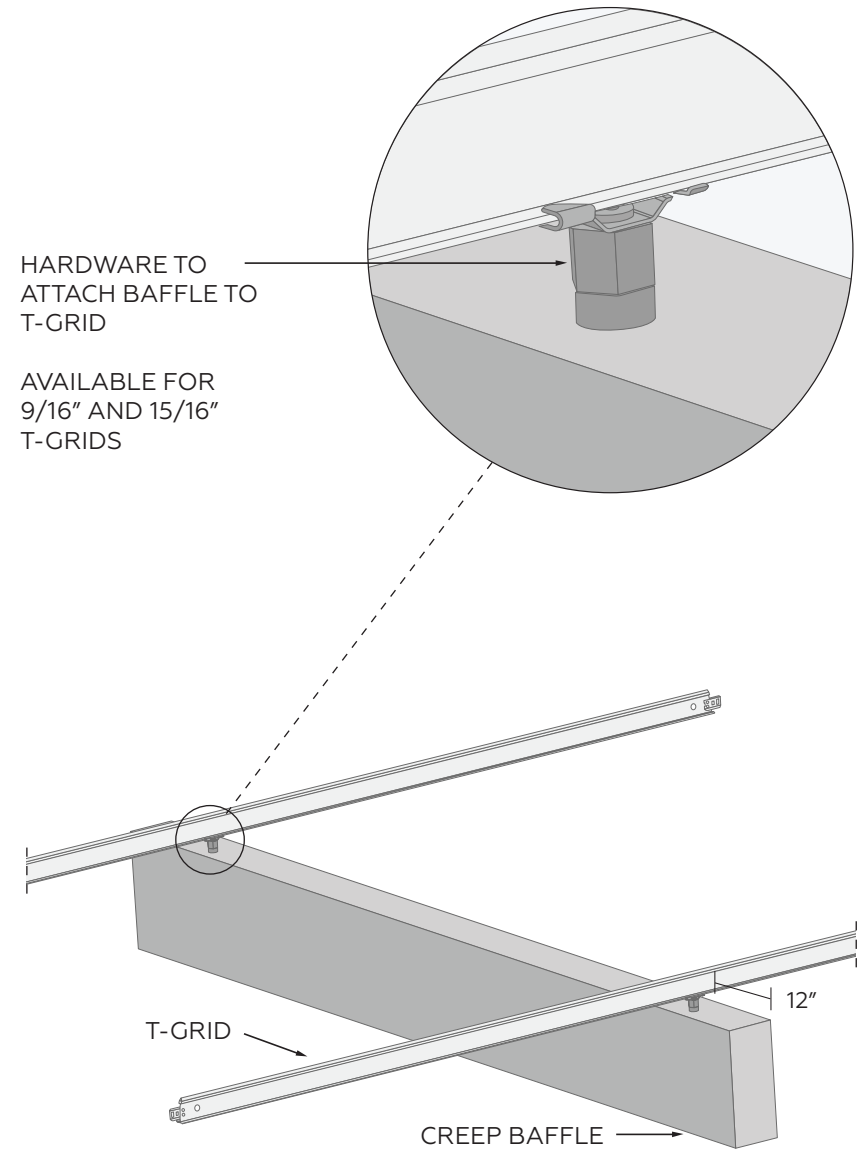
## MOUNTING OPTIONS - CEILING

### TWIST CLIPS

Compatible with 9/16" and 15/16" t-grids.



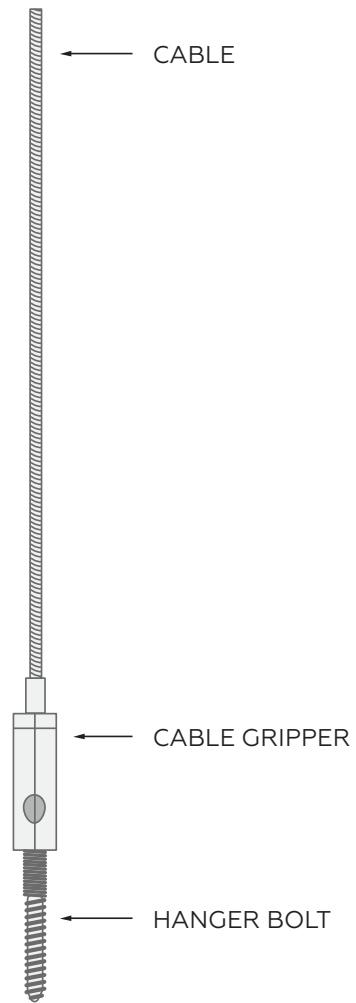
### DETAIL



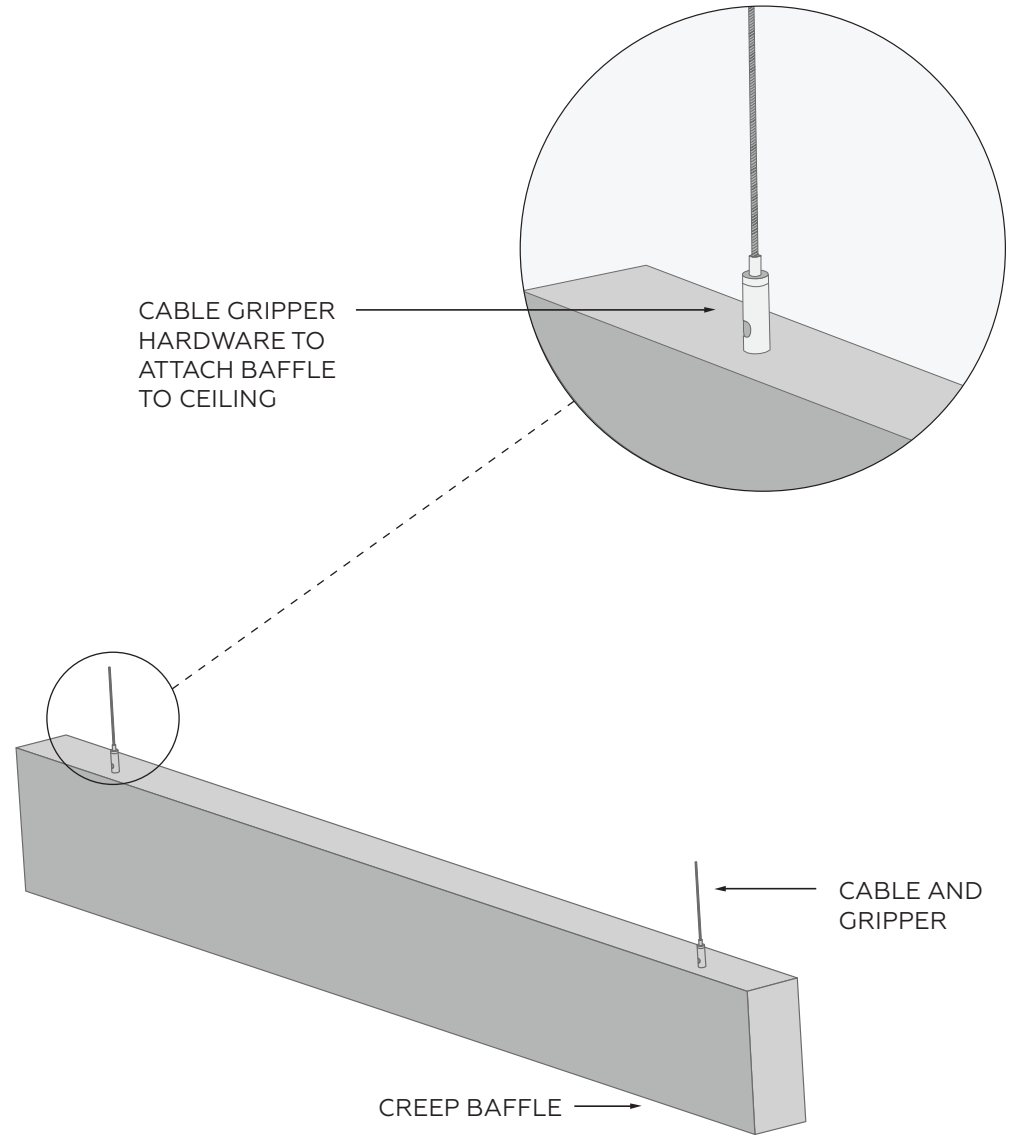


# MOUNTING OPTIONS - CEILING

## CABLE GRIPPERS



## DETAIL



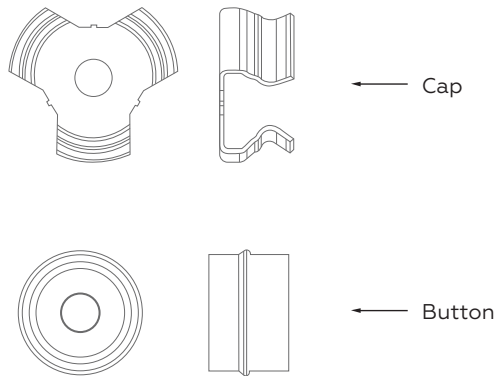
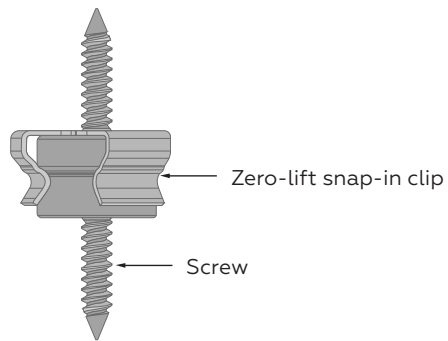


# MOUNTING OPTIONS - CEILING

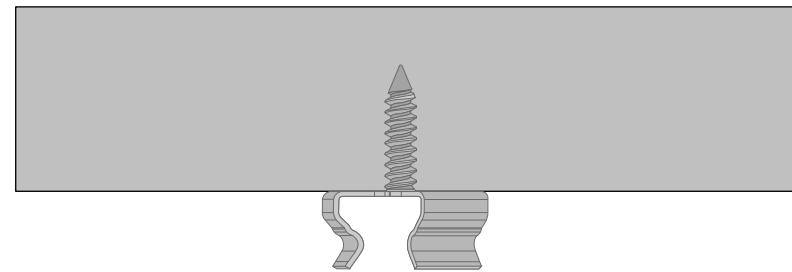
## DRYWALL CEILING MOUNTING

Creep mounted on a drywall ceiling is to be installed with zero lift clips.

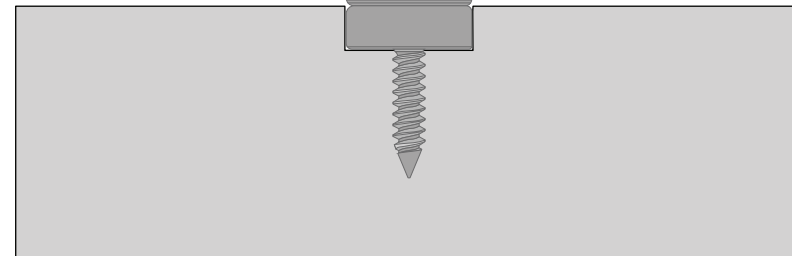
### ZERO-LIFT CLIPS



Drywall Ceiling



Creep Baffle





## MOUNTING OPTIONS - CEILING

### UNISTRUT

Creep can be suspended from Unistrut using threaded rods and screws, allowing for secure and adjustable mounting to structure above.

