



## JOIST LED

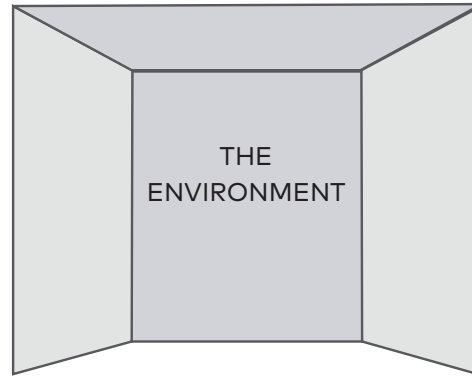
felt ceiling baffle



# HOW TO SPECIFY

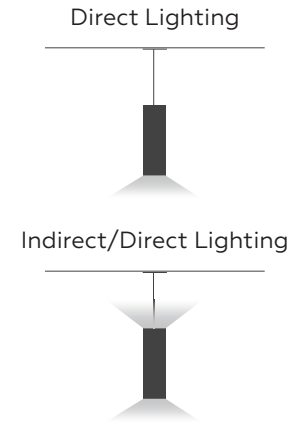
Joist just got an upgrade!  
Introducing the Joist LED Ceiling Baffle – state-of-the-art lighting solution that combines superior LED lighting technology with a unique baffle design. Optimal illumination and acoustic performance in one integrated solution.

## 01 SPECS



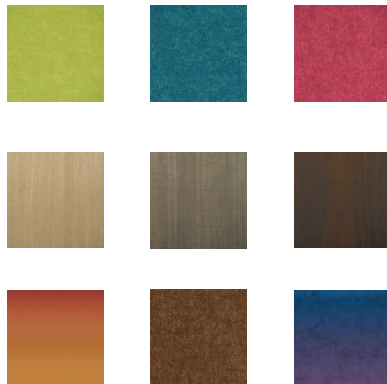
Tell us about your space, the design, and dimensions.

## 02 LIGHTING DIRECTION



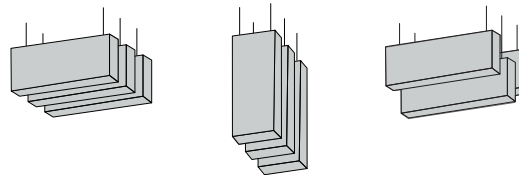
Does your project call for direct lighting, indirect lighting, or both?

## 03 COLORS



Standard. Woodgrains. Customs.  
What's your color? (See page 7)

## 04 MAKE IT YOUR OWN!



Spec your own configuration.  
Customize orientation, spacing, etc.

## SHADES by MPS



Even more color options with  
SHADES by MPS. (See page 7)

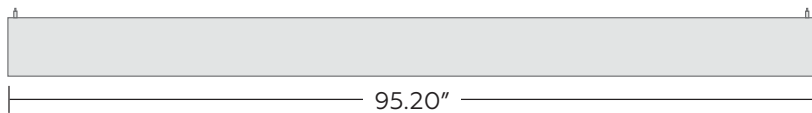
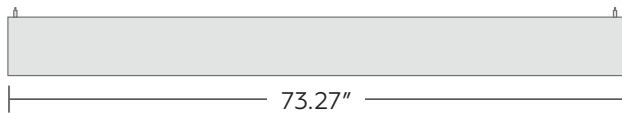
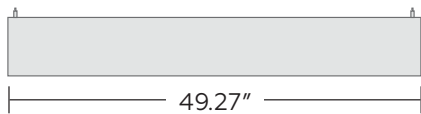
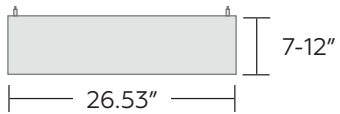


# PRODUCT SPECIFICATIONS

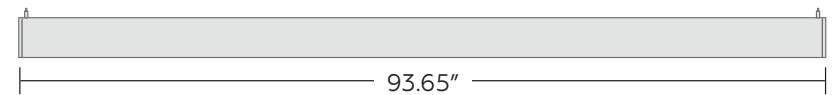
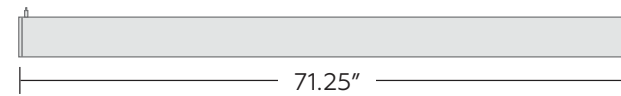
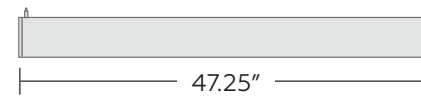
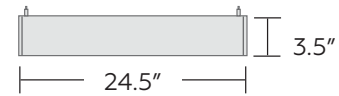
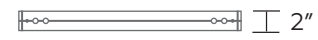
## STANDARD DIMENSIONS

- 26.53"L x 7-12"H x 2.77"W
- 49.27"L x 7-12"H x 2.77"W
- 73.27"L x 7-12"H x 2.77"W
- 95.20"L x 7-12"H x 2.77"W

## FINAL ASSEMBLY



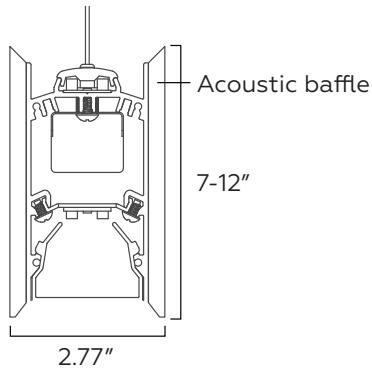
## FIXTURE WITHOUT BAFFLES





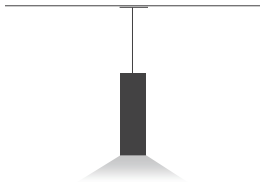
# FIXTURE DETAILS

## CROSS SECTION

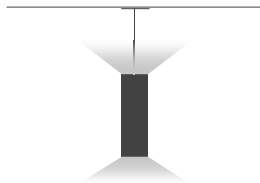


## DIRECT/INDIRECT LIGHTING

Direct Lighting



Indirect/Direct Lighting



## SAMPLE PART NUMBER: JOIST-LED-06-HD-35-UNV-JB-WH-52-P12

ORDER LENGTH	DISTANCE BETWEEN CABLE MOUNTS	ACTUAL OVERALL LENGTH
2 FT	24.50	26.5
4 FT	47.25	49.25
6 FT	71.25	73.25
8 FT	93.65	95.65

DIRECT OUTPUT		CCT	VOLTAGE	MOUNTING		FIXTURE COLOR
VHD 1250 LM/FT	LD 500 LM/FT	30 3000K	UNV 120-277V	T11" Grid	HC Hard Ceiling	WH White
HD 1000 LM/FT	VLD 250 LM/FT	35 3500K	347 <sup>2</sup> 347V	T9 9/16" Grid	JB Junction Box	BLK Black
MD 750 LM/FT	CD Custom	40 4000K		SC Screw Slot		S Silver
						GR Charcoal Grey

CRI	SUSPENSION	INTEGRATED CONTROLS	EMERGENCY
BLANK = 80 CRI	CB144 - 144" Cable	OS Occupancy Sensor	EM <sup>3</sup> - Emergency Battery
C90 - 90 CRI	Canopy & Cord (Only If Not White): BC - Black Canopy & Cord	DOS Daylight Occupancy Sensor	EC - Emergency Circuit

STANDARD COLORS				STANDARD WOODGRAINS	
<b>24</b> Snow	<b>22</b> Khaki	<b>191</b> Stone	<b>15</b> Evergreen	<b>52</b> Ash	<b>62</b> Italian Walnut
<b>43</b> Ivory	<b>39</b> Earth	<b>192</b> Ocean	<b>157</b> Midnight	<b>66</b> Weathered Plywood	<b>63</b> Main Street Elm
<b>07</b> Sand	<b>40</b> Coffee	<b>92</b> Denim	<b>09</b> Onyx	<b>61</b> Fresh Plywood	<b>50</b> Dark Walnut
<b>03</b> Marble	<b>13</b> Wine	<b>18</b> Granite		<b>54</b> Plywood	<b>65</b> Vista Walnut
<b>21</b> Cream	<b>12</b> Avocado	<b>33</b> Slate		<b>64</b> Planche Oak	
<b>14</b> Biscuit	<b>93</b> Sage	<b>04</b> Graphite		<b>53</b> Honey	



# FIXTURE DETAILS

## LED LIGHT OVERVIEW

### INDIRECT / DIRECT

ZONE	LUMENS	% FIXT
0-30	915	15%
0-40	1456	24%
0-60	2454	41%
0-90	3048	51%
90-180	2988	50%
0-180	6035	100%

### DIRECT

ZONE	LUMENS	% FIXT
0-30	915	15%
0-40	1456	24%
0-60	2454	41%
0-90	3048	51%
90-180	2988	50%
0-180	6035	100%

	VHD 1200	HD 1000	MD 750	LD 500	VLD 250
W/FT	11.6	9.7	7.2	4.8	2.4
LM/FT	1194	1037	762	515	253
LM/W	102.6	106.9	105.5	107.2	104.3

### BATWING UP / SYMMETRICAL DOWN

	VHU-VHD	VHU-HD	VHD-MD	VHU-LD	VHU-VLD
W/FT	19.5	17.6	15.1	12.7	10.3
LM/FT	2416.2	2259.0	1984.2	1736.4	1475.3
LM/W	123.9	128.6	131.5	137.2	143.4

	VLU-VHD	VLU-HD	VLU-MD	VLU-LD	VLU-VLD
W/FT	13.1	11.2	8.7	6.3	3.9
LM/FT	1433.5	1276.3	1001.6	753.7	492.6
LM/W	109.3	114.2	115.1	120.1	126.1

	LU-VHD	LU-HD	LU-MD	LU-LD	LU-VLD
W/FT	14.8	12.8	10.3	7.9	5.6
LM/FT	1692.3	1535.1	1260.4	1012.5	751.5
LM/W	114.6	119.7	121.8	127.8	135.4

	MU-VHD	MU-HD	MU-MD	MU-LD	MU-VLD
W/FT	16.3	14.4	11.9	9.5	7.1
LM/FT	1944.5	1787.3	1512.6	1264.7	1003.7
LM/W	119.1	124.3	127.1	133.4	141.2

	HU-VHD	HU-HD	HU-MD	HU-LD	HU-VLD
W/FT	18.2	16.3	13.8	11.4	9.0
LM/FT	2211.9	2054.7	1780	1532.1	1217.0
LM/W	121.5	126.3	129.1	134.8	141.3



# TECHNICAL SPECIFICATIONS



## Absorption

Standard: 1.4 NRC

## Fire Rating

ASTM E84 Class A

## Warranty

Acoustic Baffle - Two (2) Years

LED Fixture - Ten (10) Years

## VOC

ASTM D5116 Compliant

## Material

PET Felt: 100% polyester fiber

## Maintenance

Vacuum clean to remove dust and debris

## Sustainability



**MPS 9mm Acoustic Panels**  
**MPS LLC**

**Final Assembly:** Plano, Texas, USA  
**Life Expectancy:** 50 Year(s)  
**End of Life Options:** Salvageable/Reusable in its Entirety, Take Back Program (Plano, TX), Recyclable (100%)

---

**Ingredients:**  
Polyethylene Terephthalate

---

**Living Building Challenge Criteria:** Compliant

---

**I-13 Red List:**  
 LBC Red List Free      % Disclosed: 100% at 100ppm  
 LBC Red List Approved      VOC Content: Not Applicable  
 Declared

**I-10 Interior Performance:** CDPH Standard Method v1 2-2017  
**I-14 Responsible Sourcing:** Not Applicable

MPS-0001  
 EXP. 01 NOV 2026  
 Original Issue Date: 2022

MANUFACTURER RESPONSIBLE FOR LABEL ACCURACY  
 INTERNATIONAL LIVING FUTURE INSTITUTE™ [living-future.org/declare](http://living-future.org/declare)





# COLORS & WOODGRAINS

MPS offers a range of standard colors, woodgrains, and custom colors with SHADES.

## STANDARD COLORS



## WOODGRAINS



## SHADES by MPS™

Your design world revolves around color, so don't be limited by standard colors and outdated palettes. We've distilled years of testing into a three-tier system that protects print quality and design intent.

\*Some limitations apply. Consult your MPS acoustics expert to discuss your project.

RECOMMENDED	GUIDED CUSTOM	BESPOKE
<p><b>Signature Series</b></p> <p>Proven color. Perfect results.</p>	<p><b>Studio Collaboration</b></p> <p>Your color, guided by our expertise.</p>	<p><b>The Color Lab</b></p> <p>When your color needs to be one-of-a-kind.</p>



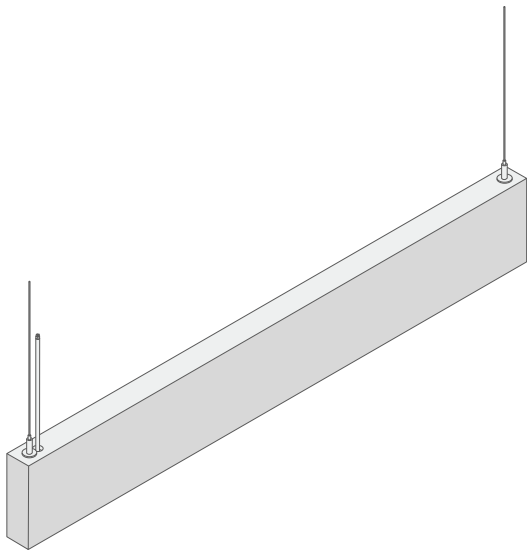
## PRODUCT INSTALLATION

### CABLE MOUNTING "ON GRID" (T1, T9, & SC)

- Linear suspended Joist LED is intended for "On Grid" or "T-Bar Ceiling" cable mounting are to be installed with T1 (1" T-Grid), T9 (9/16" T-Grid), or SC (Screw Slot Grid) Feed and Hanger Kits. Feed and Hanger Kits are shipped in separate kitting boxes.

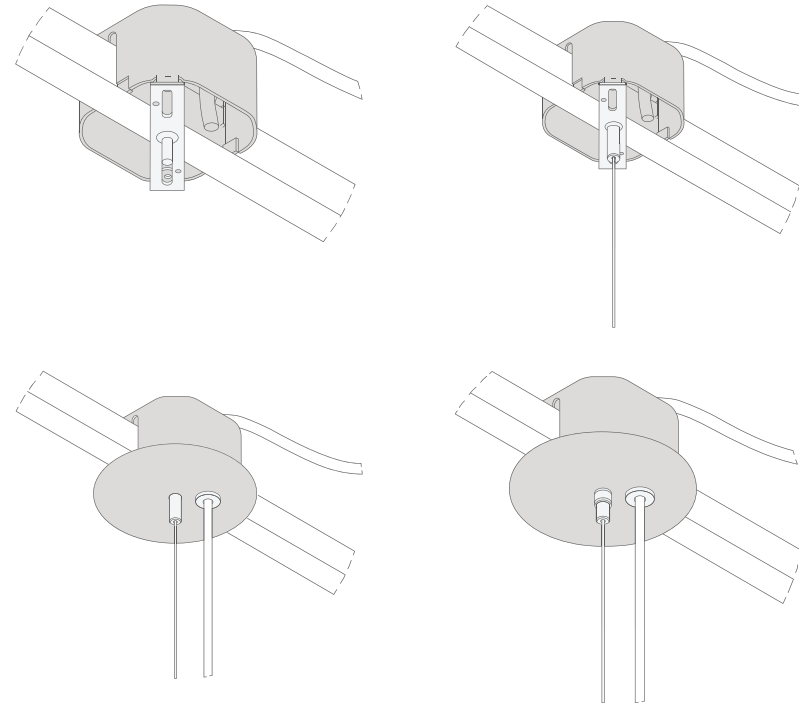
### CABLE MOUNTING "OFF GRID" (HC & JB)

- Linear suspended Joist LED is intended for cable mounting are to be installed with HC (Hard Ceiling) or JB (Junction Box) Feed and Hanger Kits. Feed and Hanger Kits are shipped in separate kitting boxes.



### HANGING HARDWARE INSTALLATION

T1, T9, SC above grid install

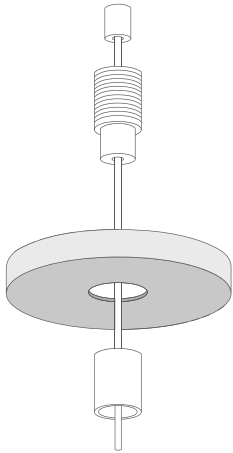
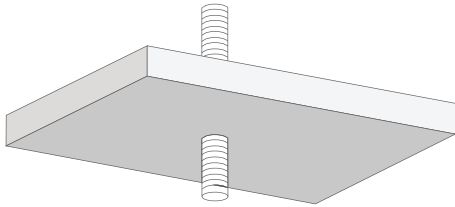




# PRODUCT INSTALLATION

## SUSPENDED BAFFLE INSTALLATION

Non-feed cable/canopy assembly



## J-BOX

Cable fed through a junction box

