



## TRUSS

felt ceiling baffle

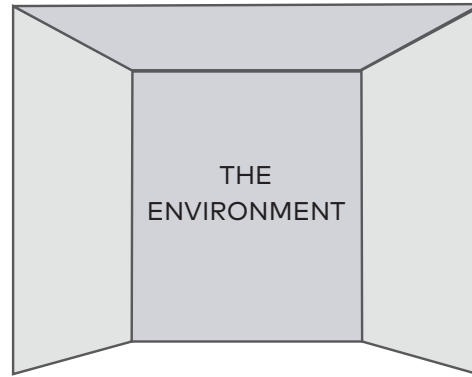




# HOW TO SPECIFY

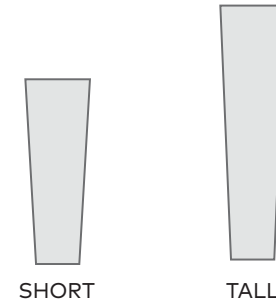
Truss is a sleek felt ceiling baffle system with two height options. Featuring a tapered vertical design, it combines functional acoustic performance with modern aesthetic appeal, making it ideal for any space that calls for minimal design.

## 01 SPECS



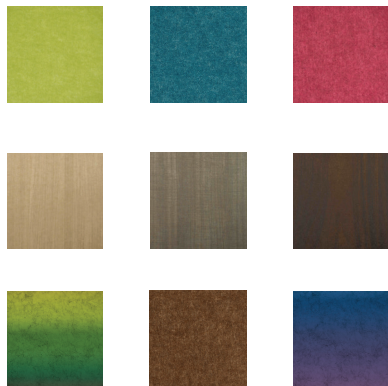
Tell us about your space, the design, and dimensions.

## 02 BAFFLE HEIGHT



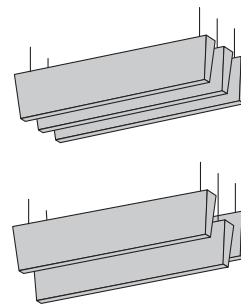
What size baffle does your project call for? Specify Truss at 5" or 7" tall.

## 03 COLORS



Standard. Woodgrains. Customs.  
What's your color? (See page 6)

## 04 MAKE IT YOUR OWN!



Spec your own configuration.  
Customize orientation, spacing, etc.

## SHADES by MPS



Spec your own color, gradient, or woodgrain. (See page 6)



# PRODUCT SPECIFICATIONS

## CUSTOM BAFFLE DIMENSIONS

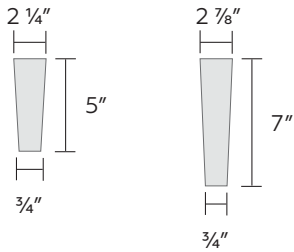
Variable Length 24" - 119"L

Standard 5"H or 7"H x 2 ¼ or 2 ⅞W (top)  
tapers to ¾W (bottom)

\*Custom heights and widths available

- Mounting hardware is modular and designed to mount anywhere on the baffle.
- Up to 36" between mounting locations is recommended.
- Compatible with 9/16" (twist clips) and 15/16" t-grids (provided by others).

## PROFILE



## ELEVATION





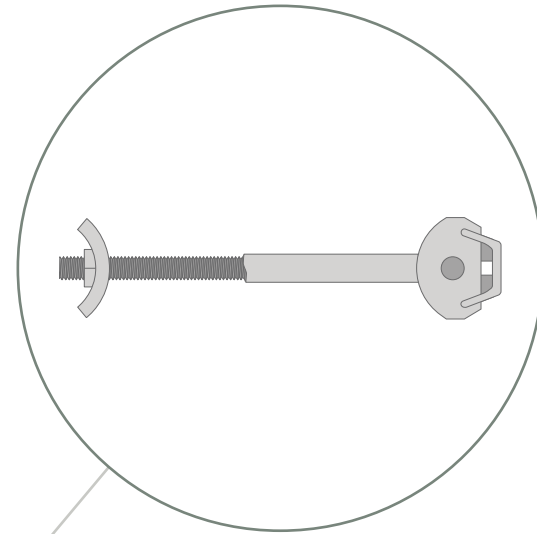
## PRODUCT SPECIFICATIONS

### CONTINUOUS BAFFLE

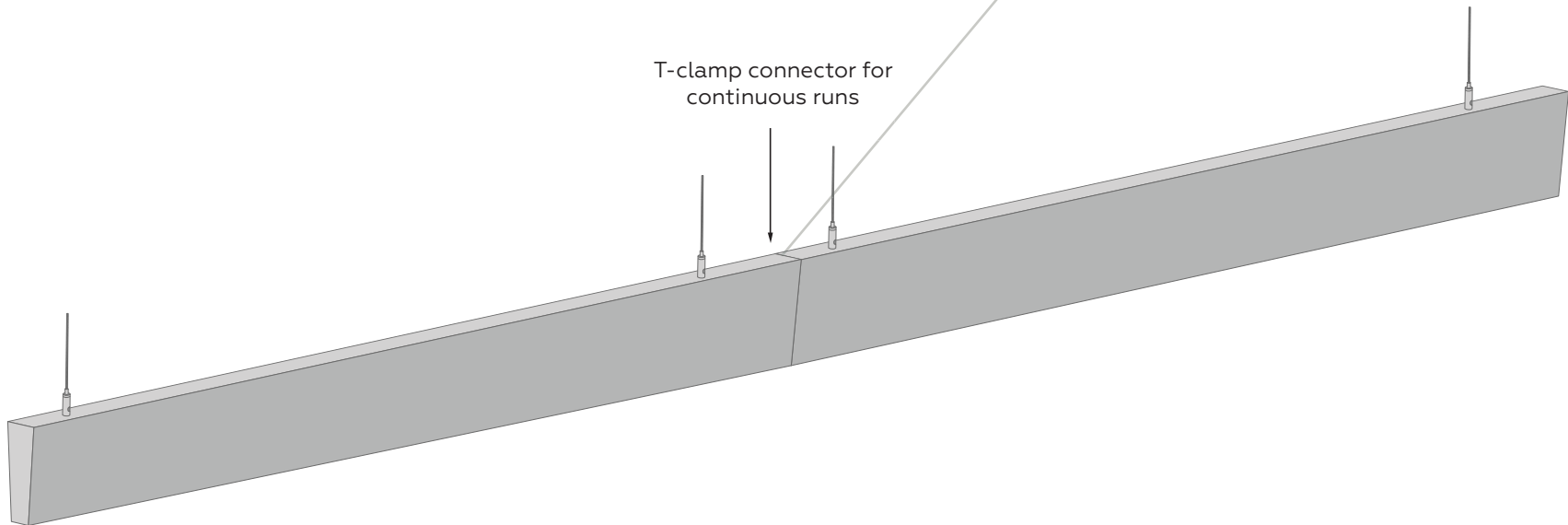
Need Truss to span a larger space?

Connect multiple baffles with a t-clamp to make it look like one, long, continuous baffle.

### T-CLAMP



T-clamp connector for continuous runs





# TECHNICAL SPECIFICATIONS



## Absorption

Standard: 1.4 NRC

Recommend spacing  
for max NRC: 6"

## Fire Rating

ASTM E84 Class A

## Warranty

Two (2) Years

## VOC

ASTM D5116 Compliant

## Material

PET Felt: 100% polyester fiber

## Maintenance

Vacuum clean to remove dust  
and debris

## Sustainability



**MPS 9mm Acoustic Panels**  
**MPS LLC**

**Final Assembly:** Trenton, Texas, USA  
**Life Expectancy:** 50 Year(s)  
**End of Life Options:** Salvageable/Reusable in its Entirety, Take Back Program (Trenton, TX), Recyclable (100%)

---

**Ingredients:**

**MPS 9mm PET:** Polyethylene Terephthalate

---

**Living Building Challenge Criteria:** Compliant

---

**I-13 Red List:**

<input checked="" type="checkbox"/> LBC Red List Free	% Disclosed: 100% at 100ppm
<input type="checkbox"/> LBC Red List Approved	VOC Content: Not Applicable
<input type="checkbox"/> Declared	

**I-10 Interior Performance:** CDPH Standard Method v1.2-2017  
**I-14 Responsible Sourcing:** Not Applicable

MPS-0001  
EXP. 01 NOV 2025  
Original Issue Date: 2022

MANUFACTURER RESPONSIBLE FOR LABEL ACCURACY  
INTERNATIONAL LIVING FUTURE INSTITUTE™ [living-future.org/declare](http://living-future.org/declare)





# COLORS & WOODGRAINS

MPS offers a range of standard colors, woodgrains, and custom colors with SHADES.

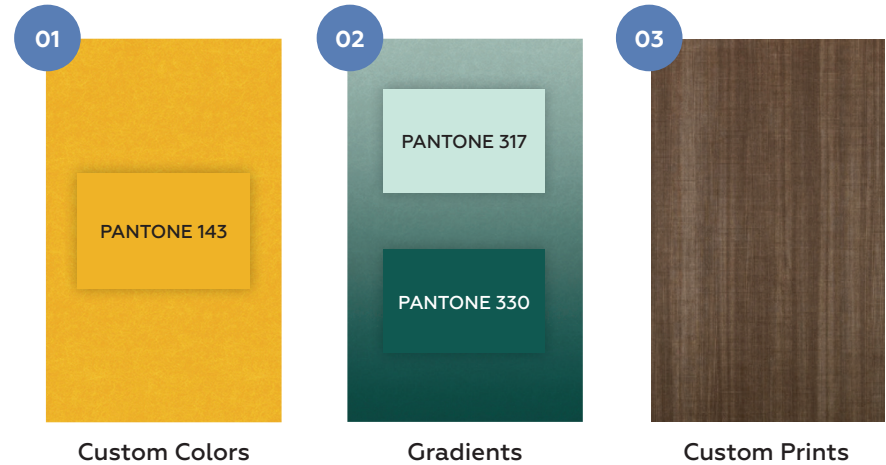
## STANDARD COLORS



## WOODGRAINS



## SHADES by MPS



Your design world revolves around color, so don't be limited by standard colors and outdated palettes. SHADES offers Pantone options, full-color prints, and unique gradients. Flat or Heathered? Your choice.

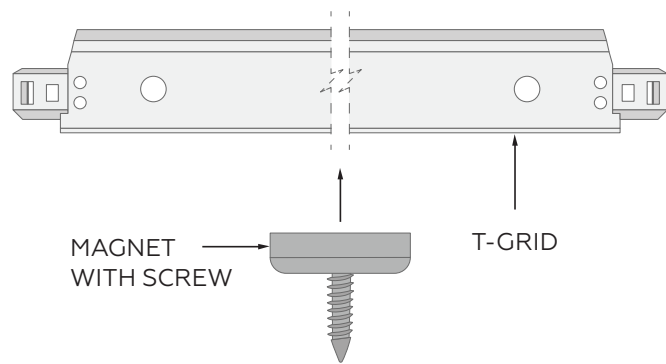
\*Some limitations apply. Consult your MPS acoustics expert to discuss your project.



## MOUNTING OPTIONS

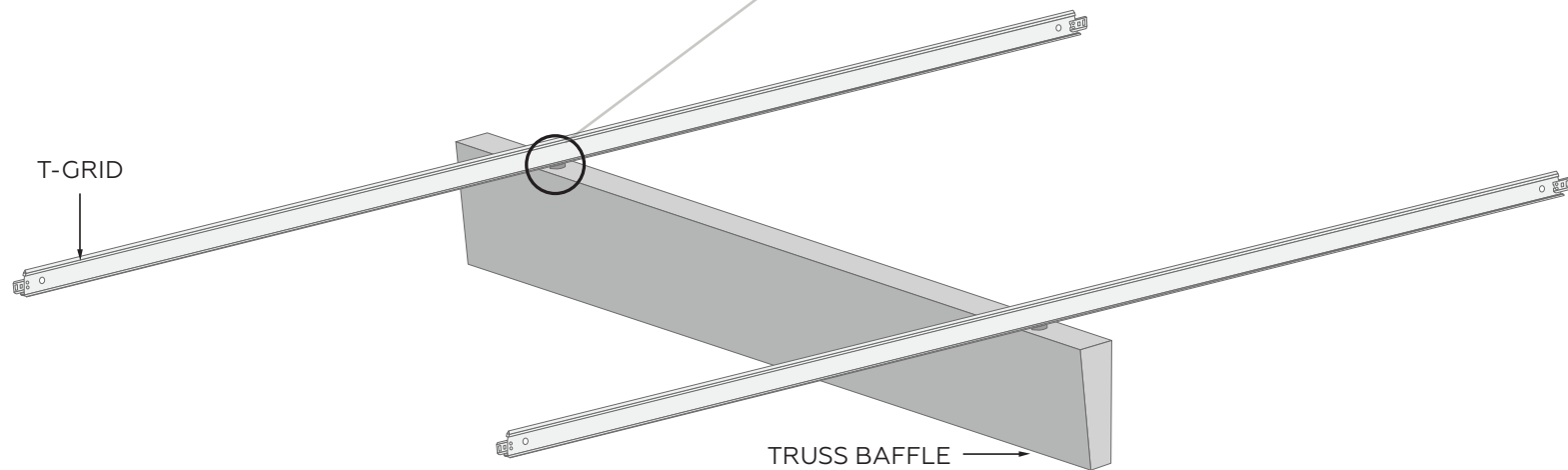
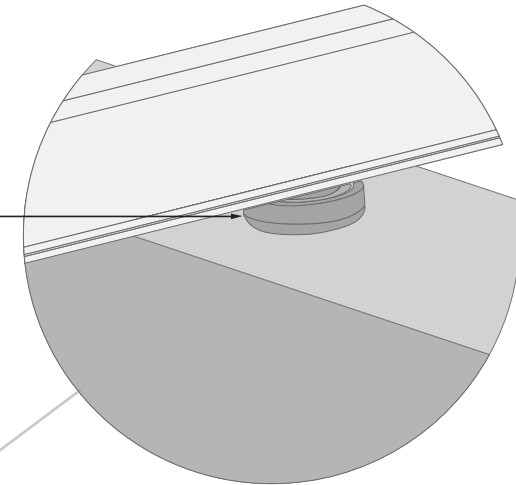
### MOUNTING ON T-GRID

Truss is intended for "On Grid" or "T-Bar Ceiling" mounting and is to be installed with magnets, twist clips, or cable grippers. See details for each mounting option below.



### DETAIL

MAGNET  
HARDWARE TO  
ATTACH BAFFLE  
TO 15/16" T-GRID

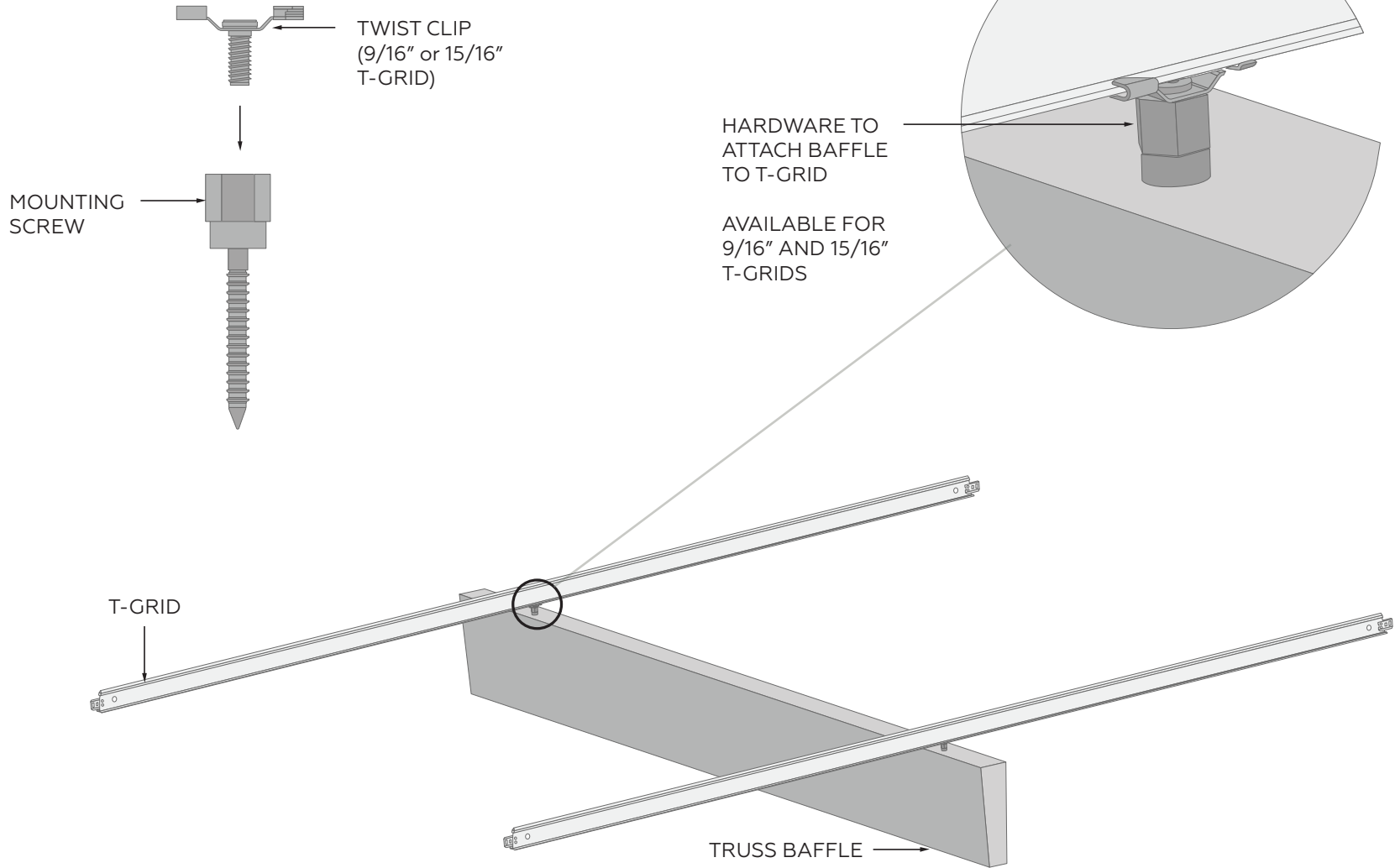




# MOUNTING OPTIONS

## TWIST CLIPS

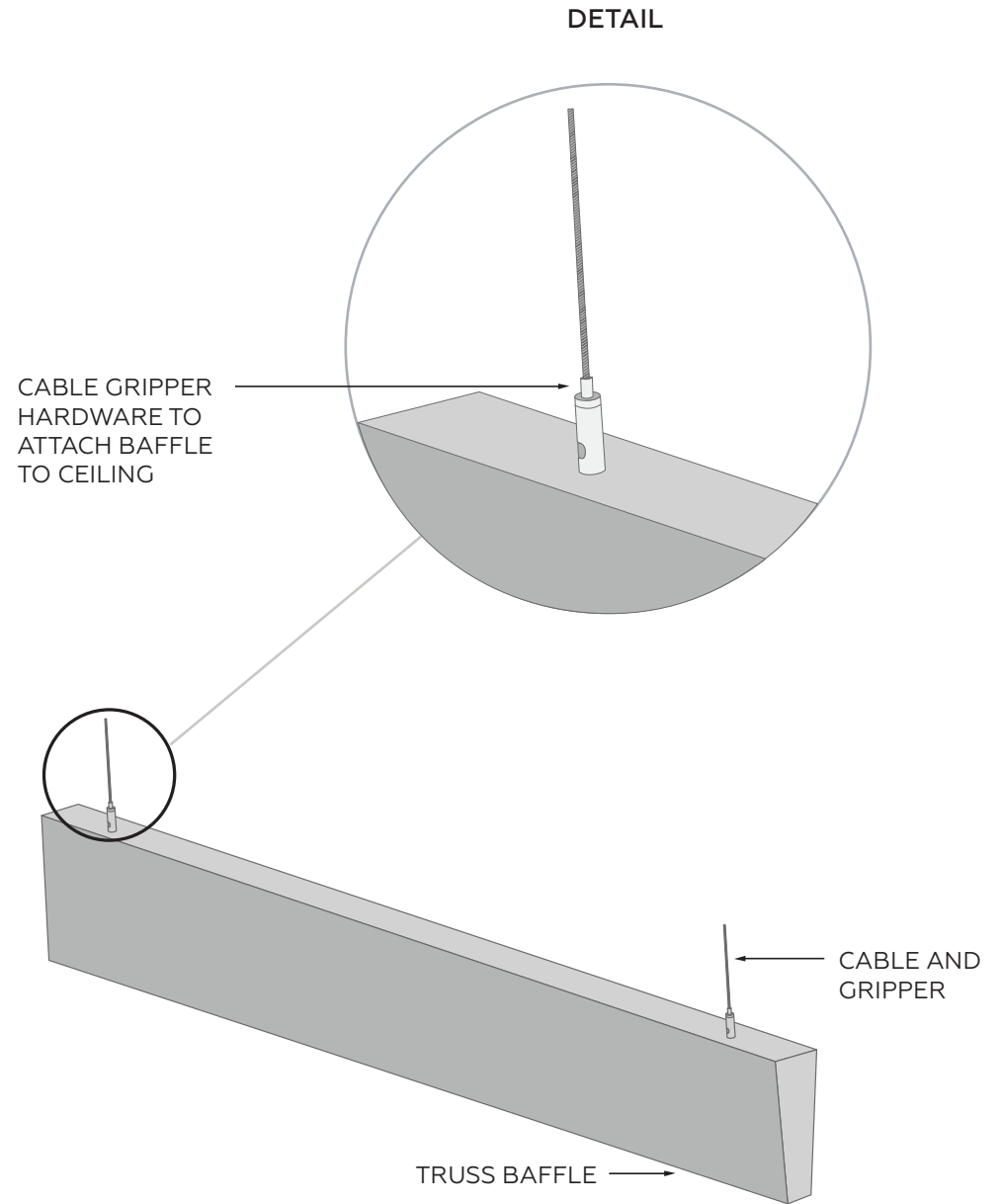
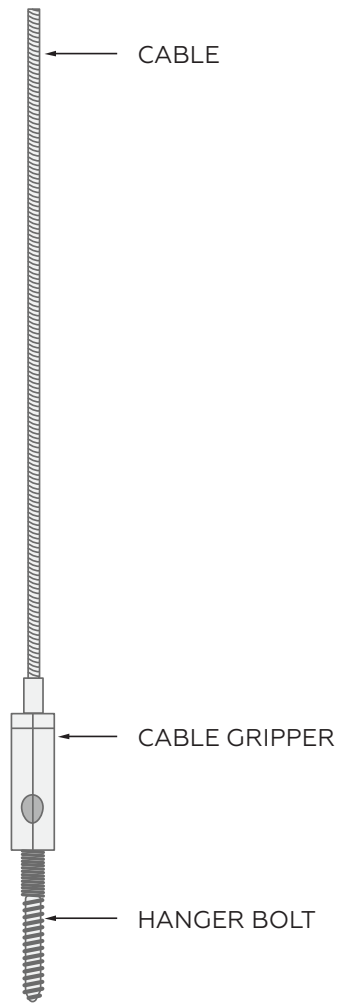
Compatible with 9/16" and 15/16" t-grids.







# MOUNTING OPTIONS





# MOUNTING OPTIONS

## DRYWALL CEILING MOUNTING

Truss mounted on a drywall ceiling is to be installed with zero lift clips.

### ZERO-LIFT CLIPS

