



TRUSS

felt ceiling baffle

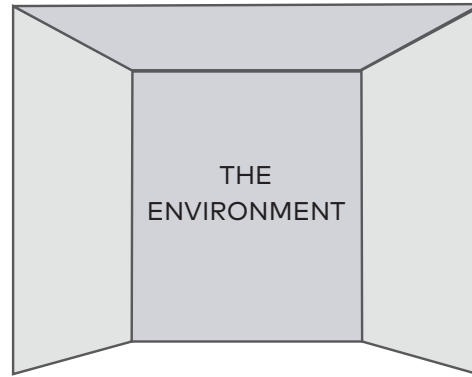




HOW TO SPECIFY

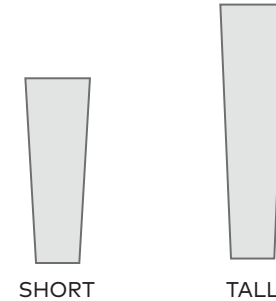
Truss is a sleek felt ceiling baffle system with two height options. Featuring a tapered vertical design, it combines functional acoustic performance with modern aesthetic appeal, making it ideal for any space that calls for minimal design.

01 SPECS



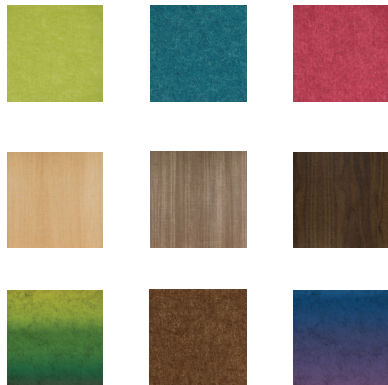
Tell us about your space, the design, and dimensions.

02 BAFFLE HEIGHT



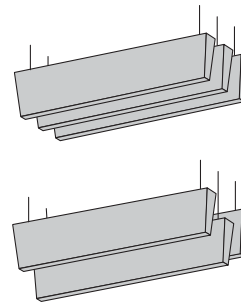
What size baffle does your project call for? Specify Truss at 5" or 7" tall.

03 COLORS



Standard. Woodgrains. Customs. What's your color? (See page 6)

04 MAKE IT YOUR OWN!



Spec your own configuration. Customize orientation, spacing, etc.

SHADES by MPS



Spec your own color, gradient, or woodgrain. (See page 6)



PRODUCT SPECIFICATIONS

CUSTOM BAFFLE DIMENSIONS

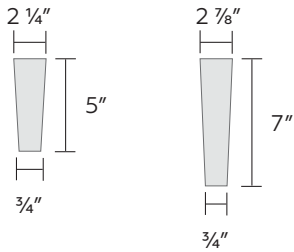
Variable Length 24" - 119"L

Standard 5"H or 7"H x 2 1/4" or 2 7/8"W (top)
tapers to 3/4"W (bottom)

*Custom heights and widths available

- Mounting hardware is modular and designed to mount anywhere on the baffle.
- Up to 36" between mounting locations is recommended.
- Compatible with 9/16" (twist clips) and 15/16" t-grids (provided by others).

PROFILE



ELEVATION





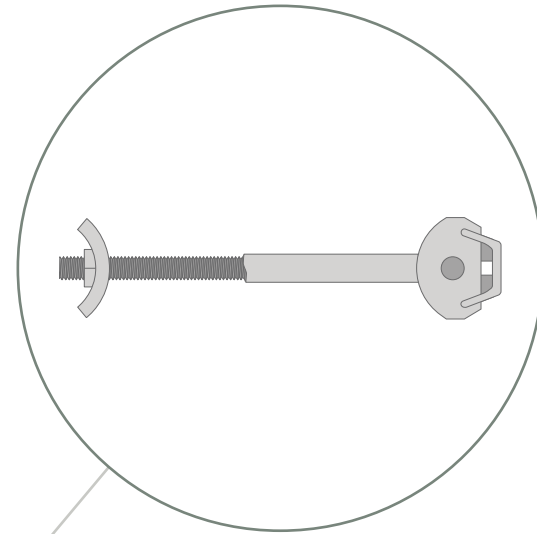
PRODUCT SPECIFICATIONS

CONTINUOUS BAFFLE

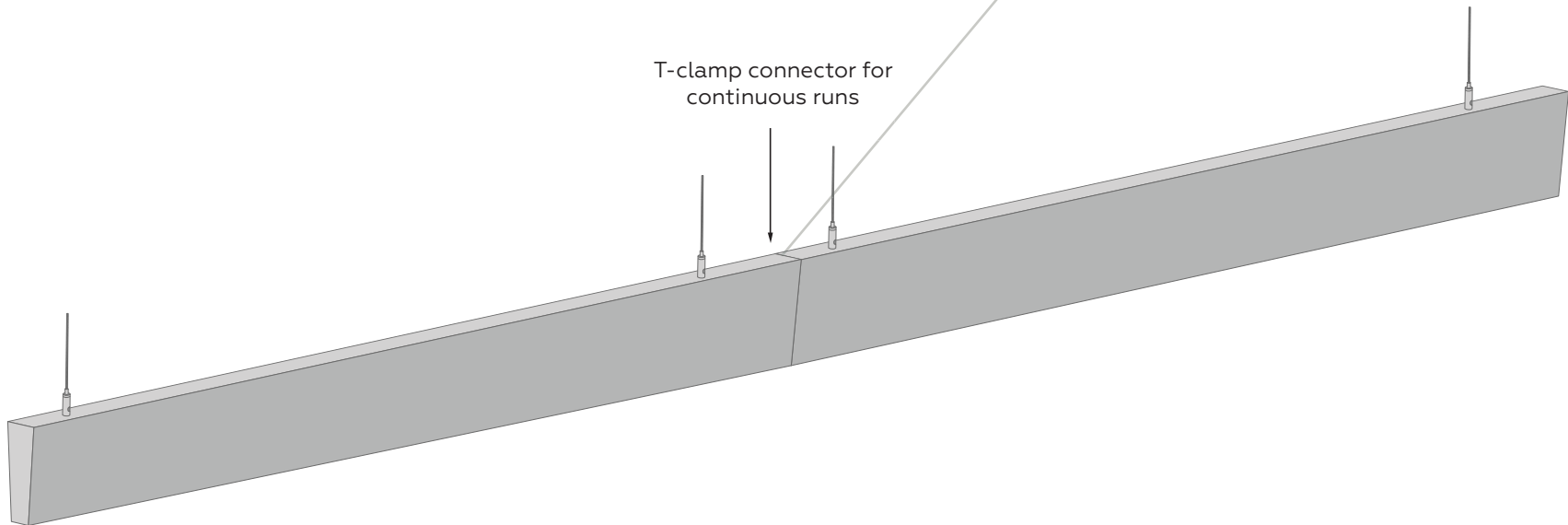
Need Truss to span a larger space?

Connect multiple baffles with a t-clamp to make it look like one, long, continuous baffle.

T-CLAMP



T-clamp connector for continuous runs





TECHNICAL SPECIFICATIONS



Absorption

Standard: 1.4 NRC
Recommend spacing
for max NRC: 6"

Fire Rating

ASTM E84 Class A

Warranty

Two (2) Years

VOC

ASTM D5116 Compliant

Material

PET Felt: 100% polyester fiber

Maintenance

Vacuum clean to remove dust
and debris

Sustainability



MPS 9mm Acoustic Panels
MPS LLC

Final Assembly: Trenton, Texas, USA
Life Expectancy: 50 Year(s)
End of Life Options: Salvageable/Reusable in its Entirety, Take Back Program (Trenton, TX), Recyclable (100%)

Ingredients:

MPS 9mm PET: Polyethylene Terephthalate

Living Building Challenge Criteria: Compliant

I-13 Red List:

<input checked="" type="checkbox"/> LBC Red List Free	% Disclosed: 100% at 100ppm
<input type="checkbox"/> LBC Red List Approved	VOC Content: Not Applicable
<input type="checkbox"/> Declared	

I-10 Interior Performance: CDPH Standard Method v1.2-2017
I-14 Responsible Sourcing: Not Applicable

MPS-0001
EXP. 01 NOV 2025
Original Issue Date: 2022

MANUFACTURER RESPONSIBLE FOR LABEL ACCURACY
INTERNATIONAL LIVING FUTURE INSTITUTE™ living-future.org/declare





COLORS & WOODGRAINS

MPS offers a range of standard colors, woodgrains, and custom colors with SHADES.

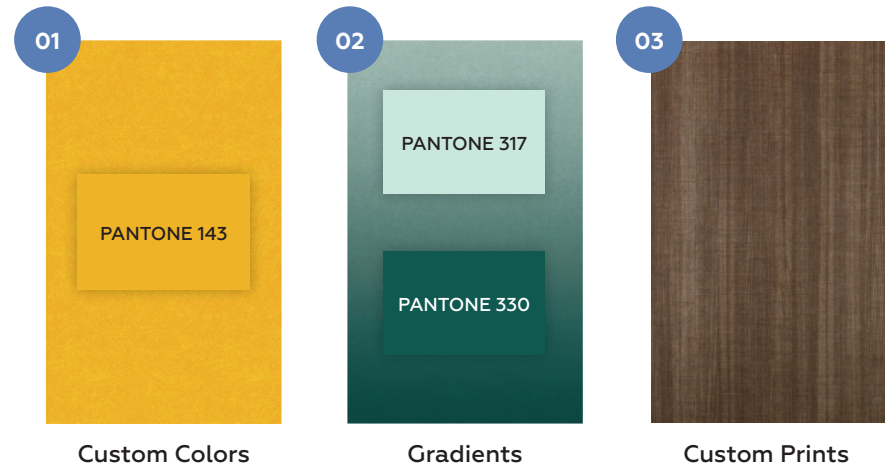
STANDARD COLORS



WOODGRAINS



SHADES by MPS



Your design world revolves around color, so don't be limited by standard colors and outdated palettes. SHADES offers Pantone options, full-color prints, and unique gradients. Flat or Heathered? Your choice.

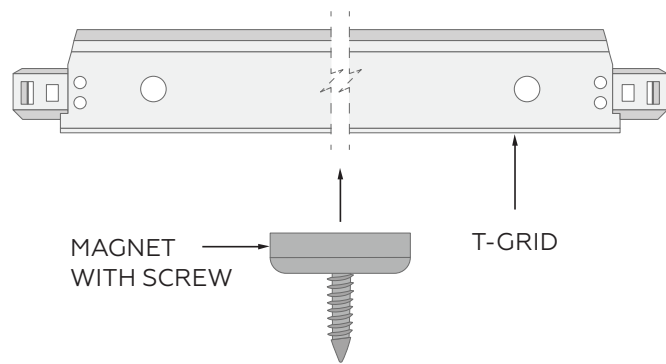
*Some limitations apply. Consult your MPS acoustics expert to discuss your project.



MOUNTING OPTIONS

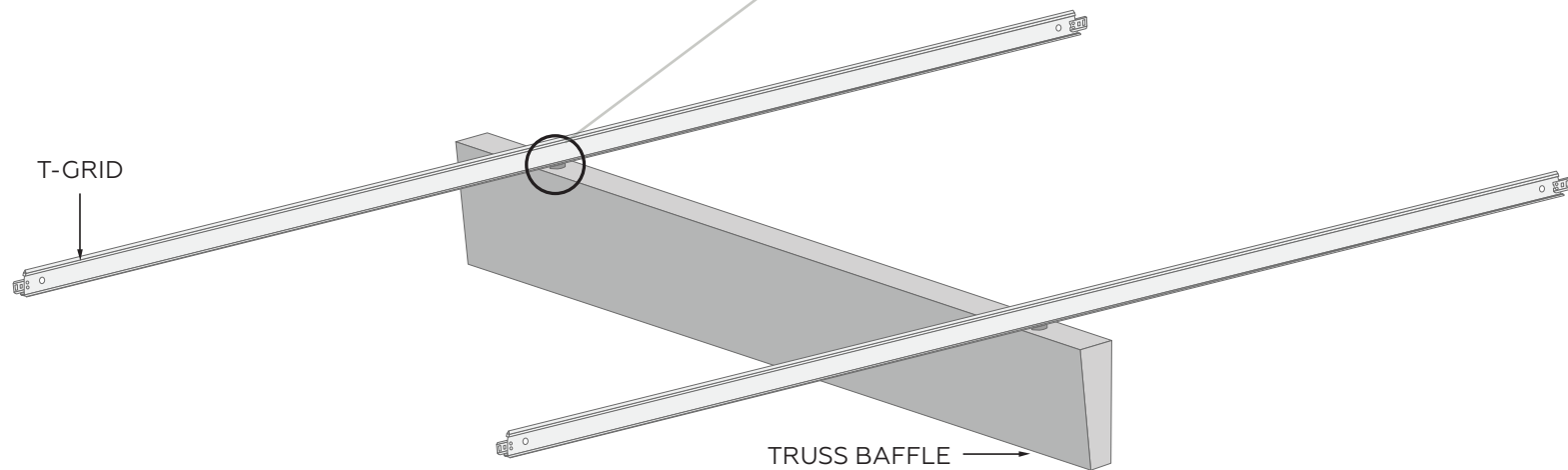
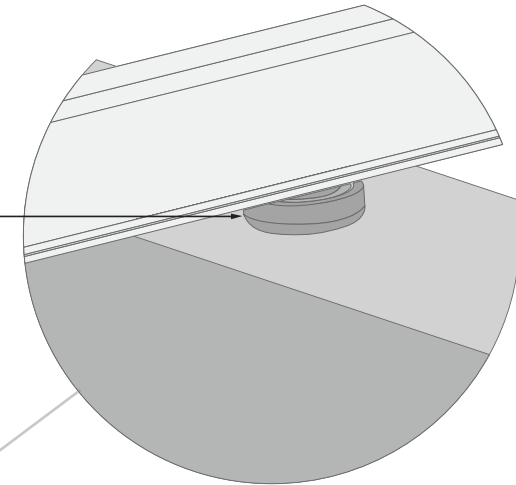
MOUNTING ON T-GRID

Truss is intended for "On Grid" or "T-Bar Ceiling" mounting and is to be installed with magnets, twist clips, or cable grippers. See details for each mounting option below.



DETAIL

MAGNET
HARDWARE TO
ATTACH BAFFLE
TO 15/16" T-GRID

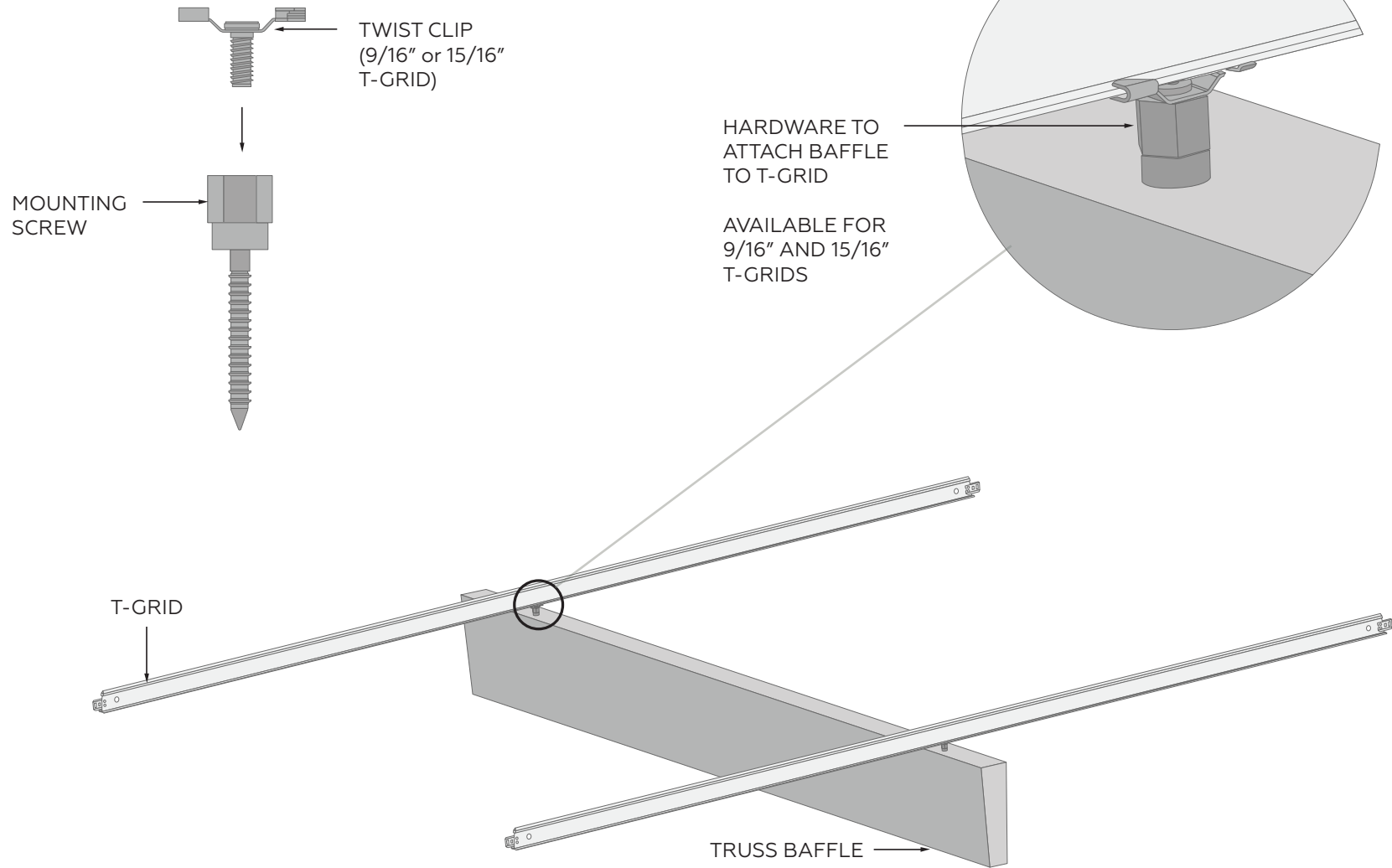




MOUNTING OPTIONS

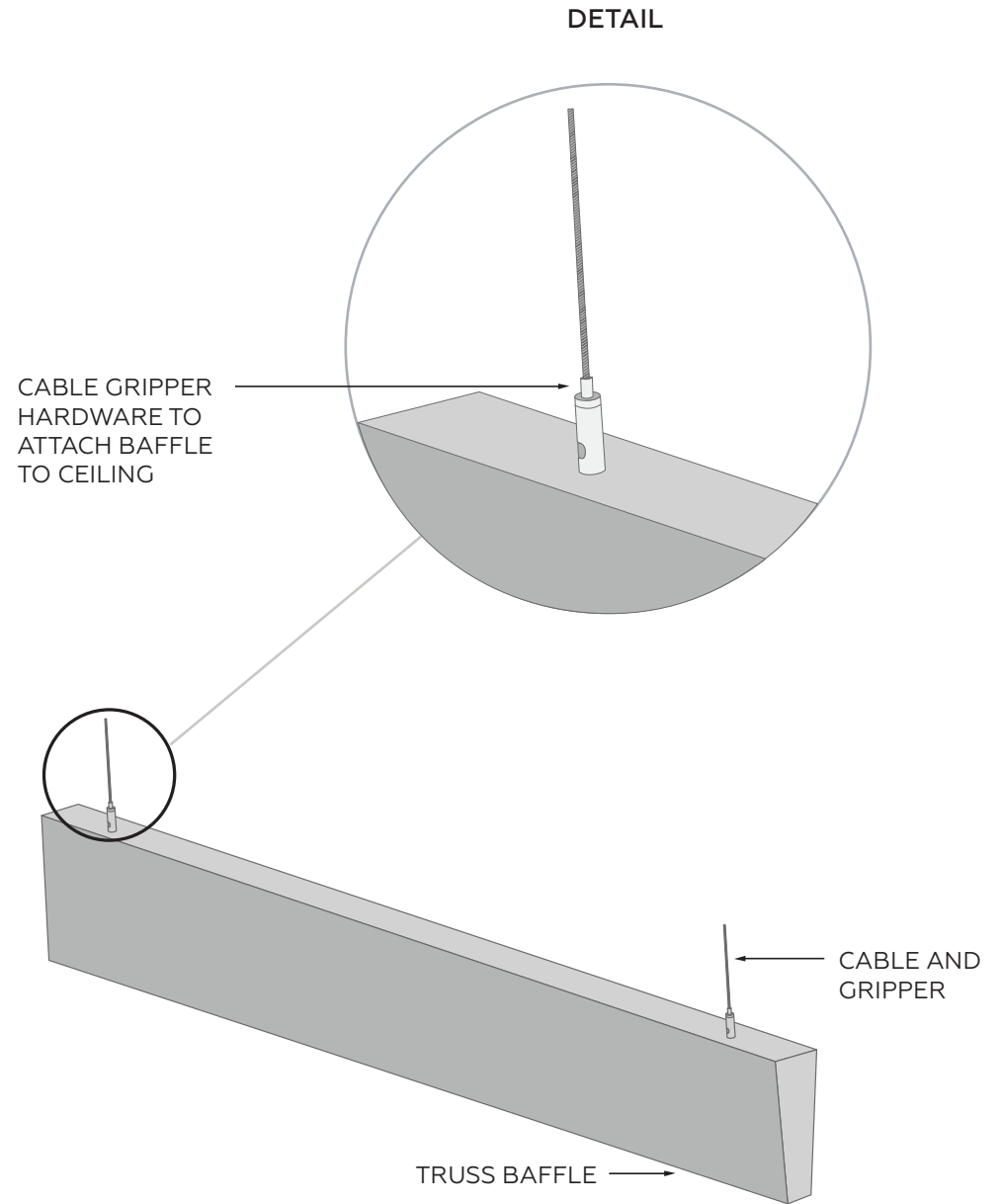
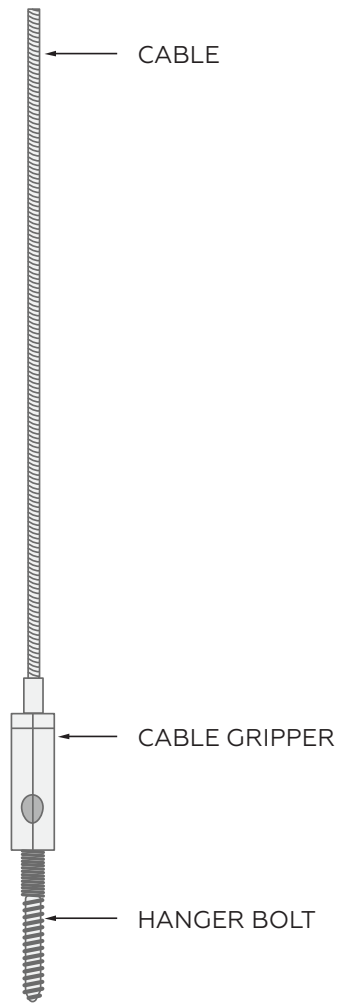
TWIST CLIPS

Compatible with 9/16" and 15/16" t-grids.





MOUNTING OPTIONS





MOUNTING OPTIONS

DRYWALL CEILING MOUNTING

Truss mounted on a drywall ceiling is to be installed with zero lift clips.

ZERO-LIFT CLIPS

