



NOTCH

felt ceiling baffle

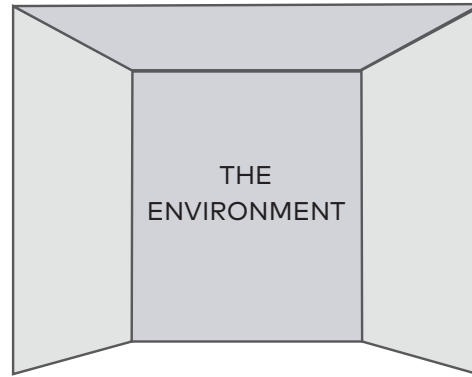




HOW TO SPECIFY

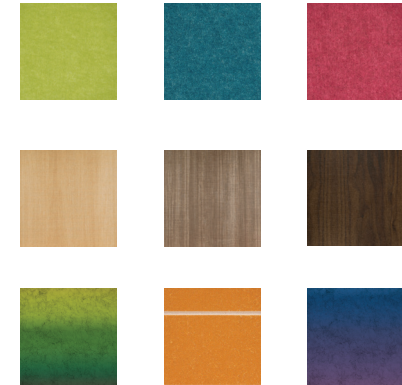
Notch acoustic baffles incorporate an updated look and visual appeal while removing unwanted noise and echo from your space.

01 SPECS



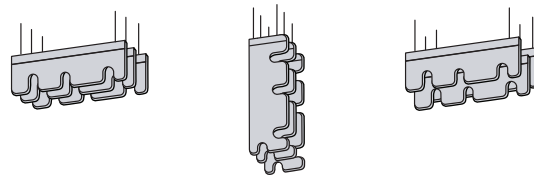
Tell us about your space, the design, and dimensions.

02 COLORS



Standard. Woodgrains. Customs. What's your color? (See page 6)

03 MAKE IT YOUR OWN!



Spec your own configuration. Customize orientation, spacing, etc.

SHADES by MPS



Spec your own color, gradient, or woodgrain. (See page 6)



PRODUCT SPECIFICATIONS

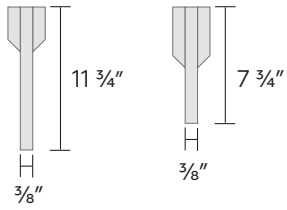
CUSTOM BAFFLE DIMENSIONS

Variable Length	24" - 119"L
Standard	7 3/4"H or 11 3/4"H
Felt Thickness	3/8"W

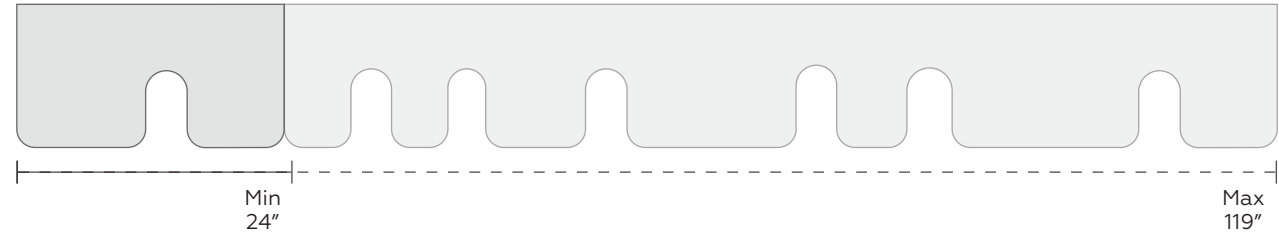
*Custom heights and widths available

- Mounting hardware is modular and designed to mount anywhere on the baffle
- Up to 36" between mounting locations is recommended
- Compatible with 9/16" (twist clips) and 15/16" t-grids (provided by others)

PROFILE

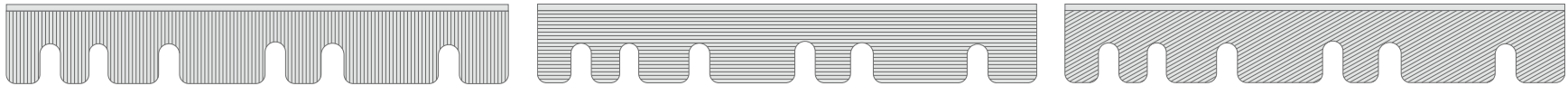


ELEVATION



CUSTOM OPTIONS

- Trak your Notch baffle. Apply Trak ridges to your Notch for a textured look.
 - Apply a reveal colorway to your Trak'd Notch.
- *Unlimited options with 30 or 45° v-cuts
- *See mpsaoustics.com/color for colorway options



Trak ridges



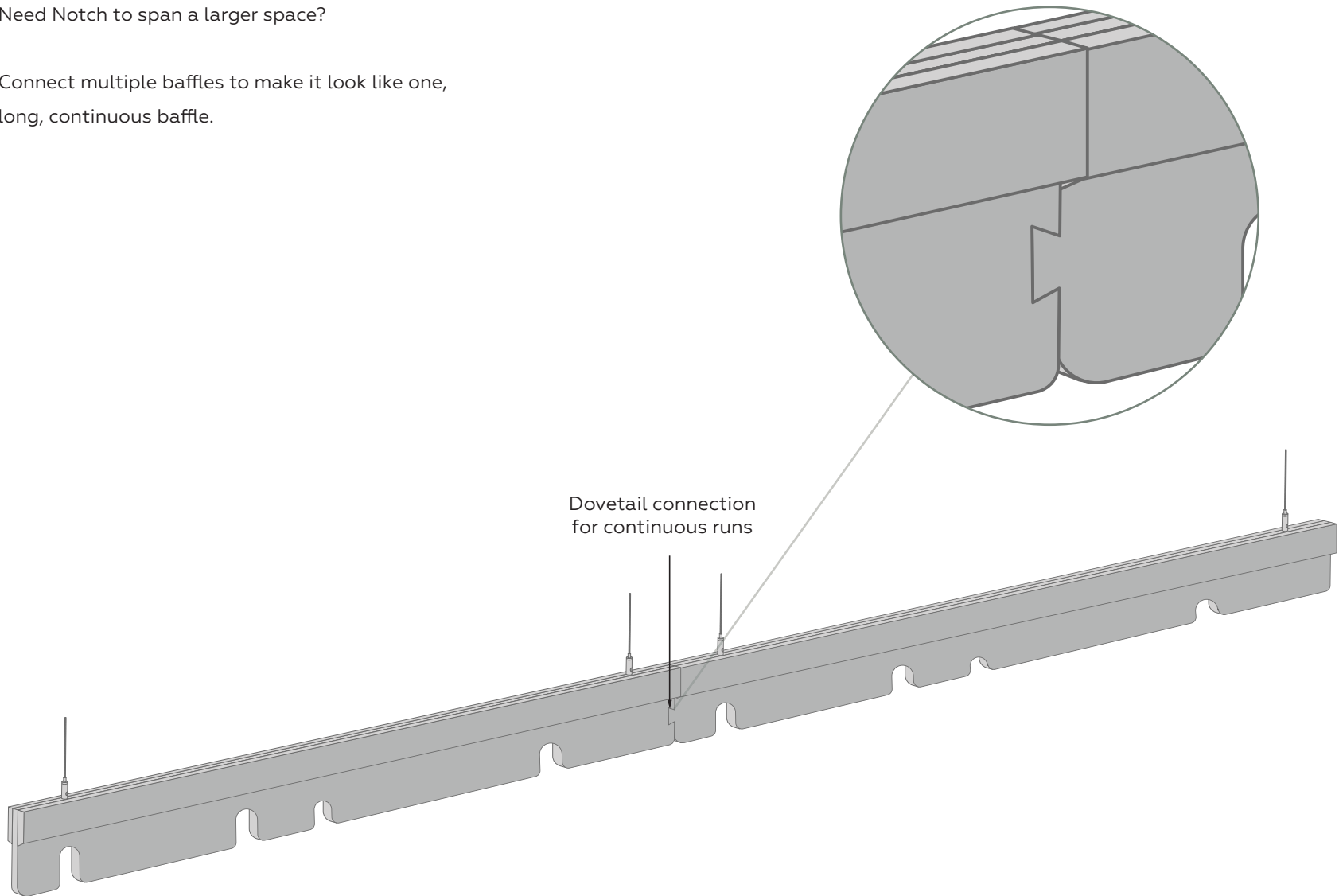
PRODUCT SPECIFICATIONS

CONTINUOUS BAFFLE

Need Notch to span a larger space?

Connect multiple baffles to make it look like one, long, continuous baffle.

DOVETAIL





TECHNICAL SPECIFICATIONS



Absorption

Standard: .75-1.15 NRC

Recommend spacing
for max NRC: 6-12"

Fire Rating

ASTM E84 Class A

Warranty

Two (2) Years

VOC

ASTM D5116 Compliant

Material

PET Felt: 100% polyester fiber

Maintenance

Vacuum clean to remove dust
and debris

Sustainability

Declare.

MPS 9mm Acoustic Panels
MPS LLC

Final Assembly: Trenton, Texas, USA
Life Expectancy: 50 Year(s)
End of Life Options: Salvageable/Reusable in its Entirety, Take Back Program (Trenton, TX), Recyclable (100%)

Ingredients:

MPS 9mm PET: Polyethylene Terephthalate

Living Building Challenge Criteria: Compliant

I-13 Red List:

- LBC Red List Free % Disclosed: 100% at 100ppm
- LBC Red List Approved VOC Content: Not Applicable
- Declared

I-10 Interior Performance: CDPH Standard Method v1.2-2017
I-14 Responsible Sourcing: Not Applicable

MPS-0001
EXP. 01 NOV 2025
Original Issue Date: 2022

MANUFACTURER RESPONSIBLE FOR LABEL ACCURACY
INTERNATIONAL LIVING FUTURE INSTITUTE™ living-future.org/declare





COLORS & WOODGRAINS

MPS offers a range of standard colors, woodgrains, and custom colors with SHADES.

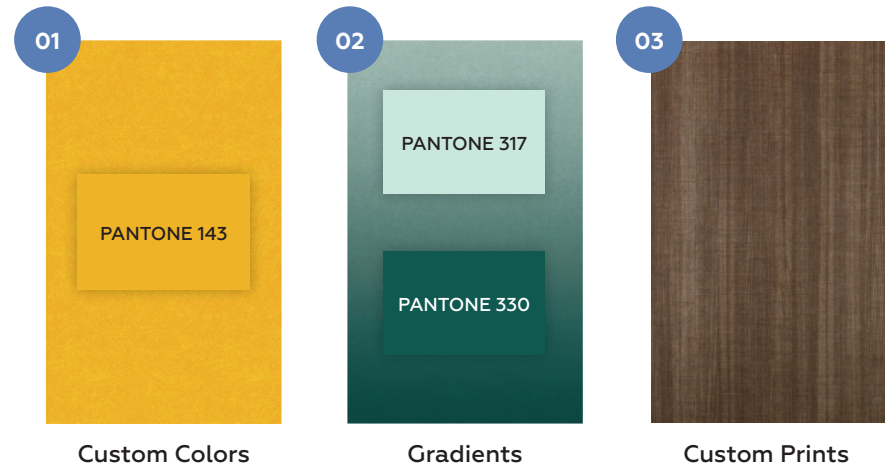
STANDARD COLORS



WOODGRAINS



SHADES by MPS



Your design world revolves around color, so don't be limited by standard colors and outdated palettes. SHADES offers Pantone options, full-color prints, and unique gradients. Flat or Heathered? Your choice.

*Some limitations apply. Consult your MPS acoustics expert to discuss your project.

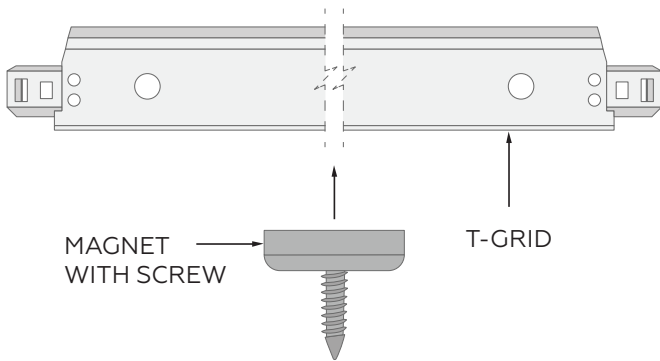


PRODUCT INSTALLATION

MOUNTING ON T-GRID

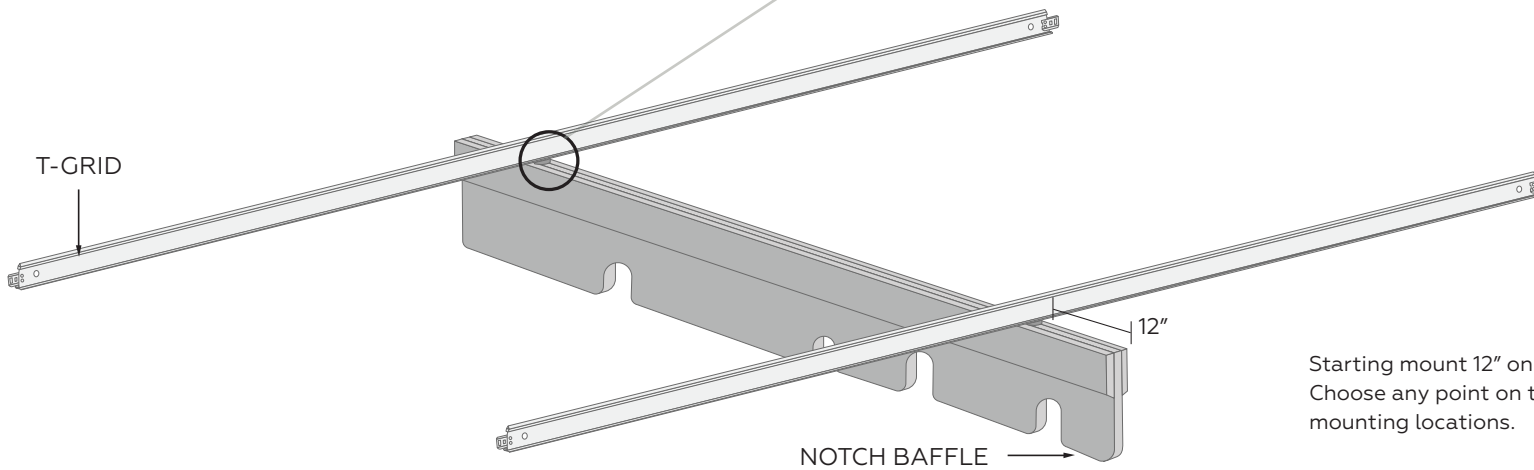
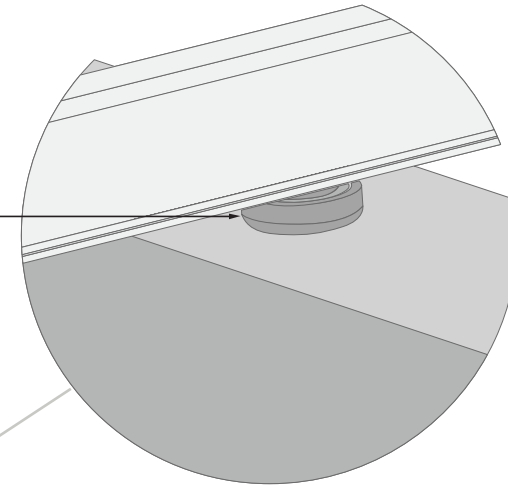
Notch is intended for "On Grid" or "T-Bar Ceiling" mounting and is to be installed with magnets, twist clips, or cable grippers. See details for each mounting option below.

MAGNETS



DETAIL

MAGNET
HARDWARE TO
ATTACH BAFFLE
TO 15/16" T-GRID



Starting mount 12" on either side.
Choose any point on the baffle for additional
mounting locations.

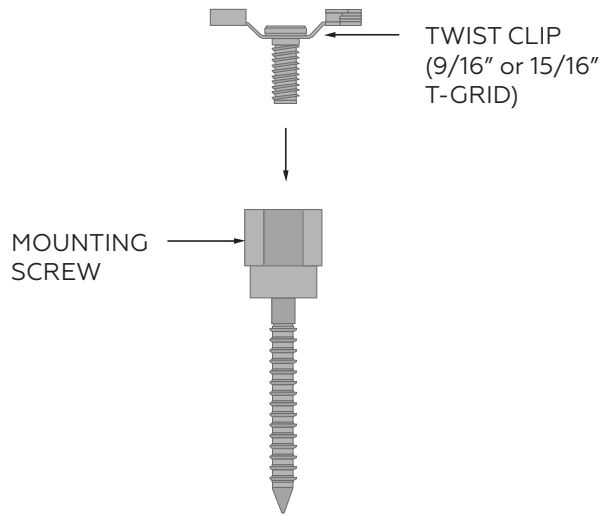
*This applies to all mounting options



PRODUCT INSTALLATION

TWIST CLIPS

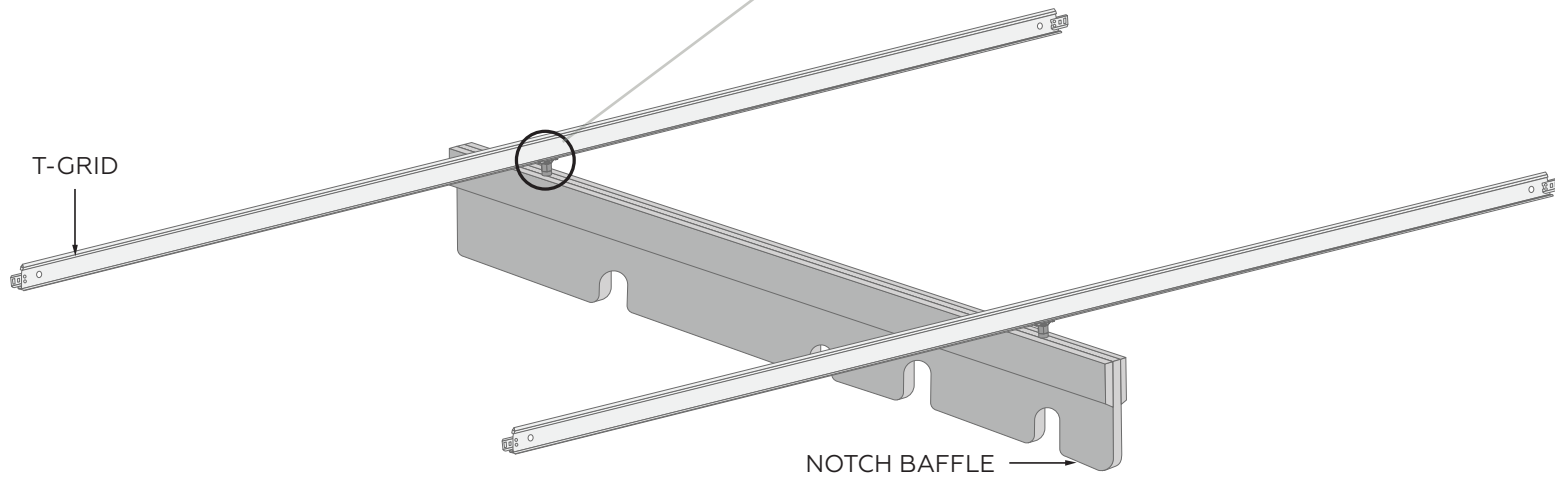
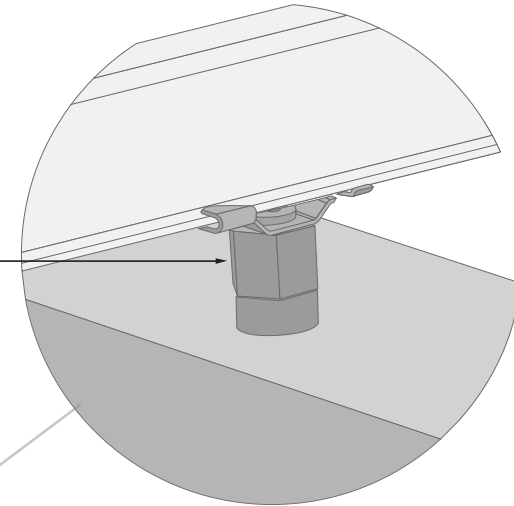
Compatible with 9/16" and 15/16" t-grids.



DETAIL

HARDWARE TO
ATTACH BAFFLE
TO T-GRID

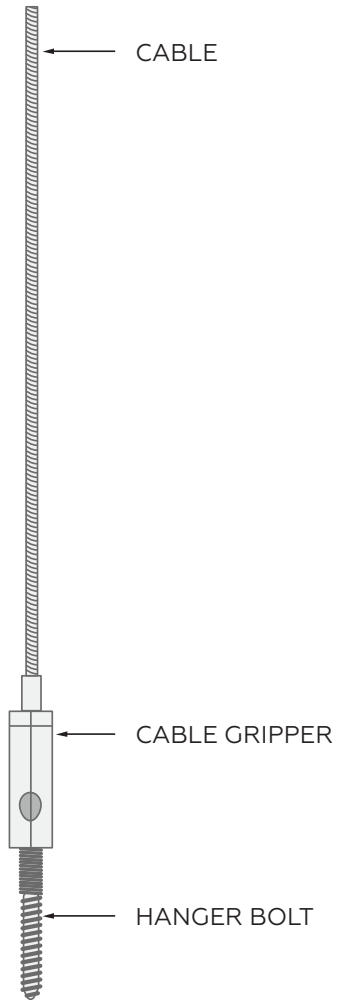
AVAILABLE FOR
9/16" AND 15/16"
T-GRIDS





PRODUCT INSTALLATION

CABLE GRIPPERS



DETAIL

