



TRUSS

felt ceiling baffle





TRUSS CEILING-MOUNTED BAFFLES

Welcome to the installation guide for Truss, a minimal and versatile acoustic ceiling baffle designed for both functionality and aesthetics. This guide will walk you through the easy-to-follow steps to securely mount Truss using magnets, twist clips, or cable grippers, ensuring optimal acoustic performance and seamless integration into your space.

Installers should rely upon their own professional experience and understanding of their unique requirements to ensure a successful install.

TOOLS REQUIRED



Cutting tool



Steel straightedge

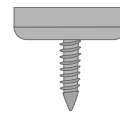


Drill

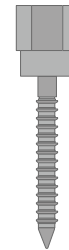
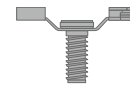
MOUNTING OPTIONS

Truss can be mounted using magnets, twist clips, or cable grippers. Magnets and cable grippers are compatible with 15/16" t-grids. Twist clips are compatible with 9/16" and 15/16" t-grids.

MAGNET



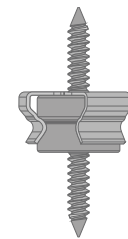
TWIST CLIP



CABLE GRIPPER



ZERO-LIFT CLIPS





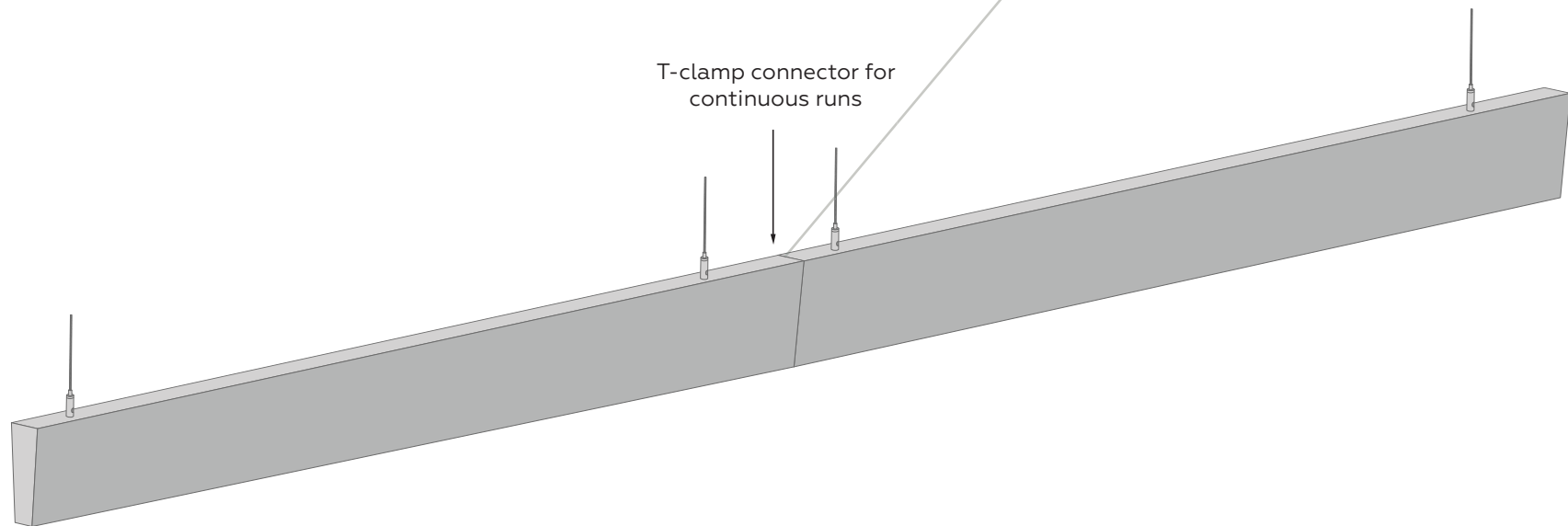
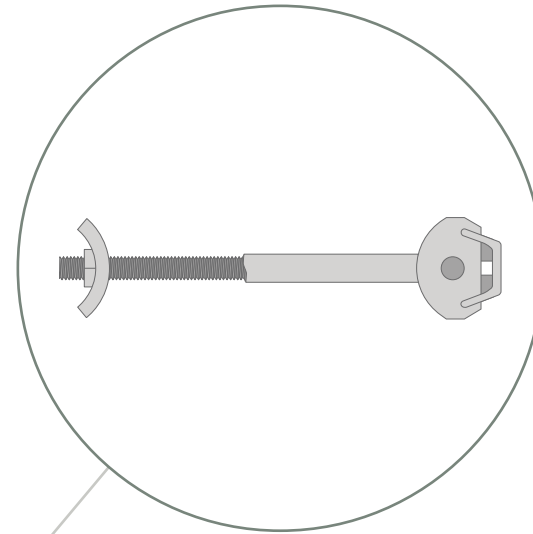
INSTALLING TRUSS - CONTINUOUS BAFFLE

CONTINUOUS BAFFLE

Need Truss to span a larger space?

Connect multiple baffles with a t-clamp to make it look like one, long, continuous baffle.

T-CLAMP



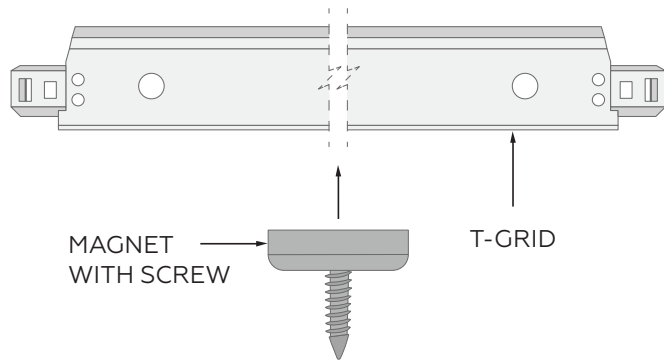
T-clamp connector for
continuous runs



INSTALLING TRUSS

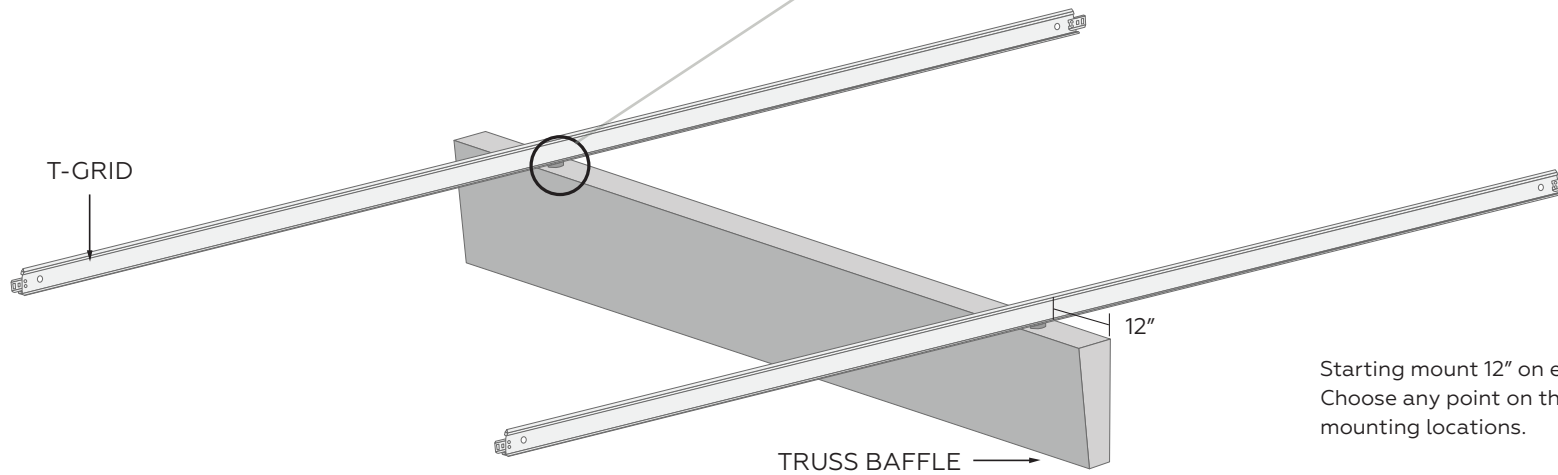
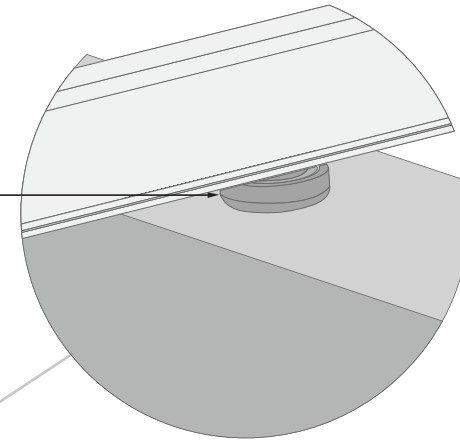
MAGNETS

Compatible with 15/16" t-grids.



DETAIL

MAGNET
HARDWARE TO
ATTACH BAFFLE
TO 15/16" T-GRID



Starting mount 12" on either side.
Choose any point on the baffle for additional
mounting locations.

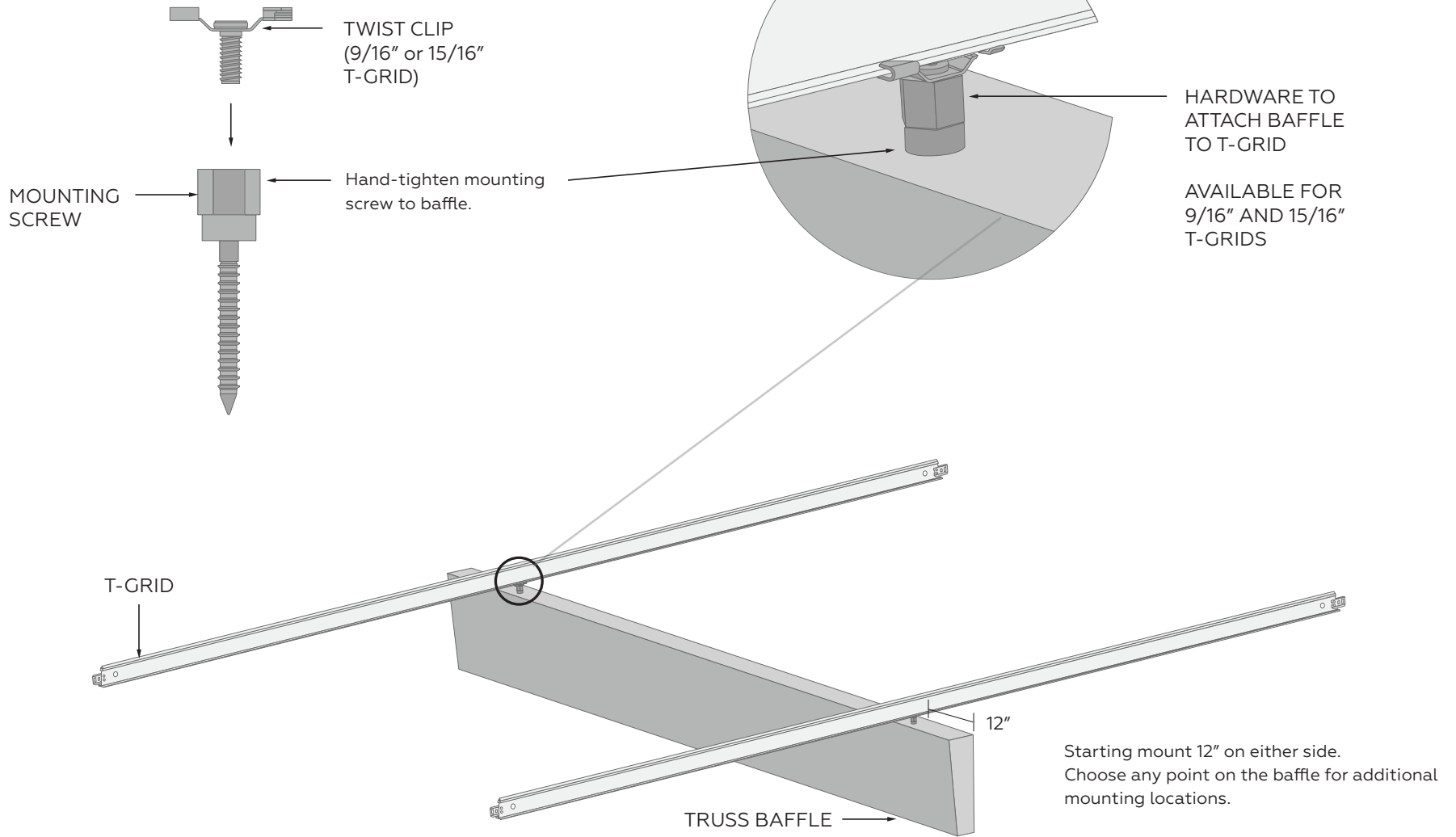
*This applies to all mounting options



INSTALLING TRUSS

TWIST CLIPS

Compatible with 9/16" and 15/16" t-grids.

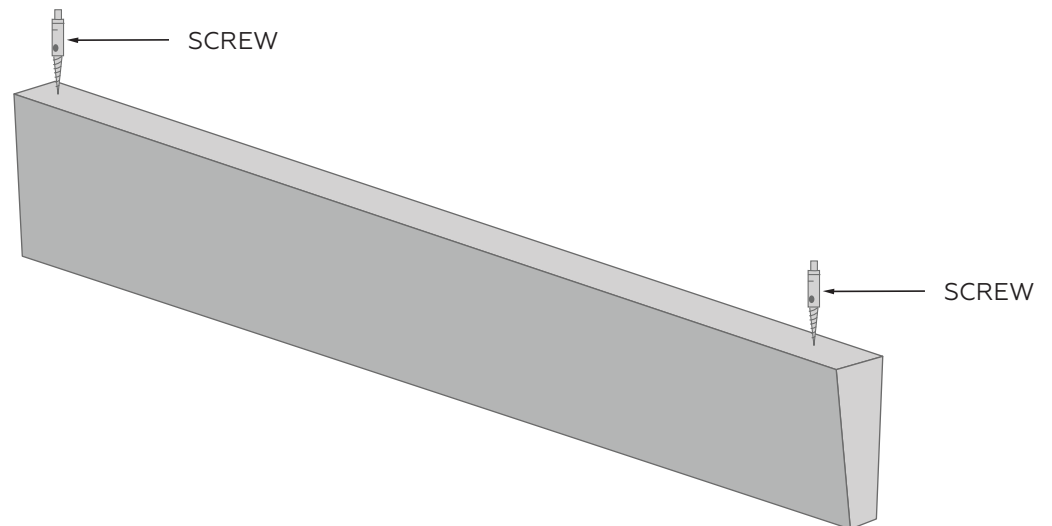
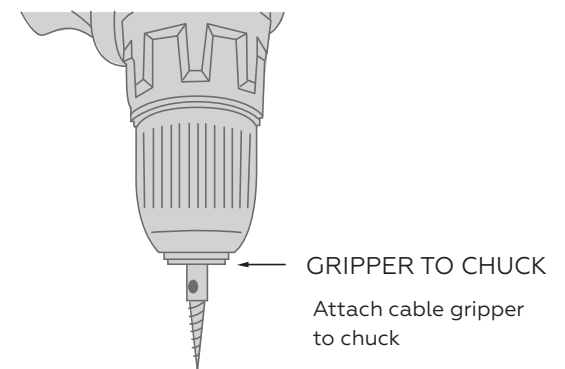
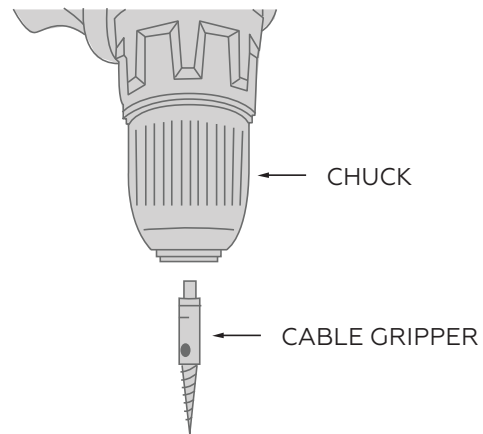
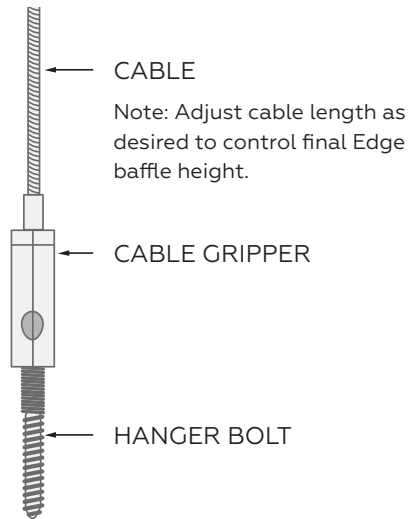


*This applies to all mounting options



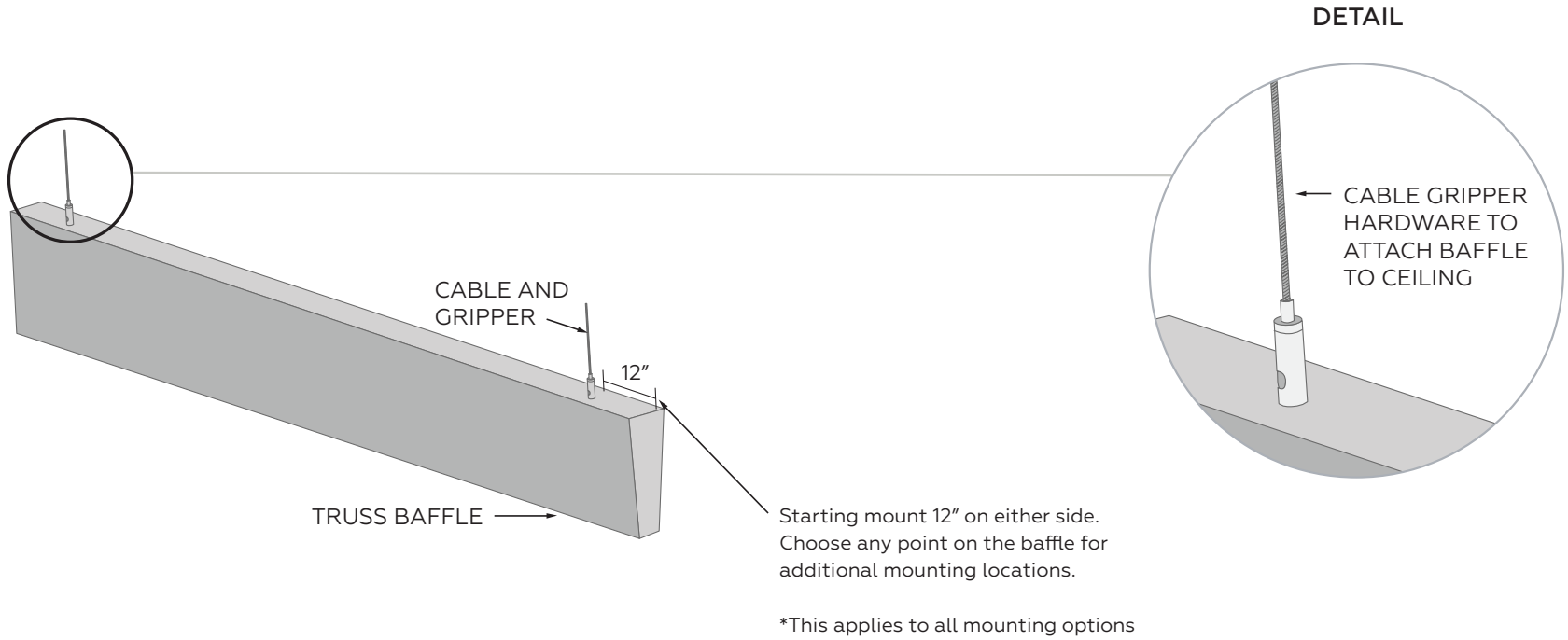
INSTALLING TRUSS

CABLE GRIPPERS

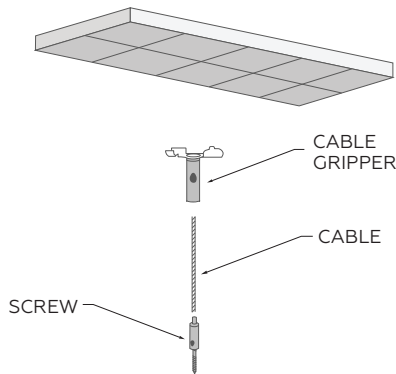




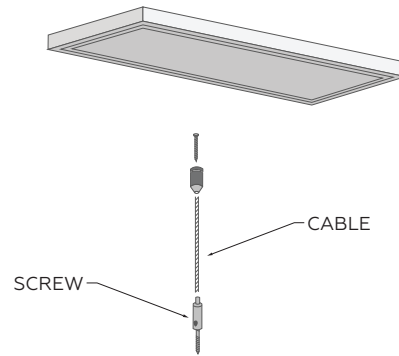
INSTALLING TRUSS



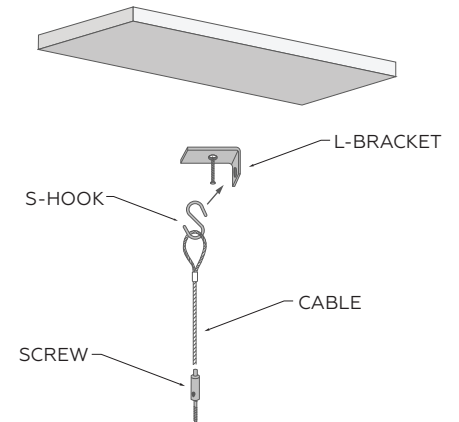
Drop Ceiling
Compatible with 15/16" t-grids.



Decorative Hard Ceiling



Hard Ceiling





INSTALLING TRUSS

DRYWALL CEILING MOUNTING

Truss mounted on a drywall ceiling is to be installed with zero lift clips.

ZERO-LIFT CLIPS

