



FRAME

felt wall



FRAME CEILING-MOUNTED BAFFLES

Welcome to the installation guide for Frame, a minimal, yet dimensional geometric element for any space. This guide will walk you through the easy-to-follow steps to securely mount Frame using twist clips or cable grippers, ensuring optimal acoustic performance and seamless integration into your space.

Installers should rely upon their own professional experience and understanding of their unique requirements to ensure a successful install.

TOOLS REQUIRED



Cutting tool



Steel straightedge

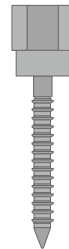
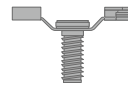


Drill

MOUNTING OPTIONS

Frame can be mounted using twist clips or cable grippers.. Cable grippers are compatible with 15/16" t-grids. Twist clips are compatible with 9/16" and 15/16" t-grids.

TWIST CLIP



CABLE GRIPPER

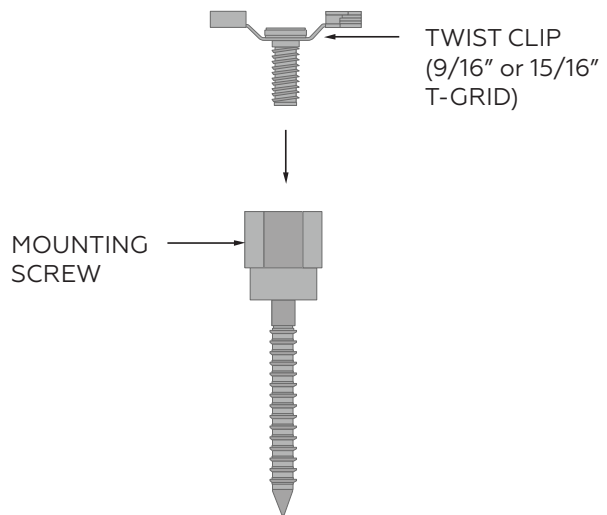




INSTALLING FRAME

MOUNTING ON T-GRID

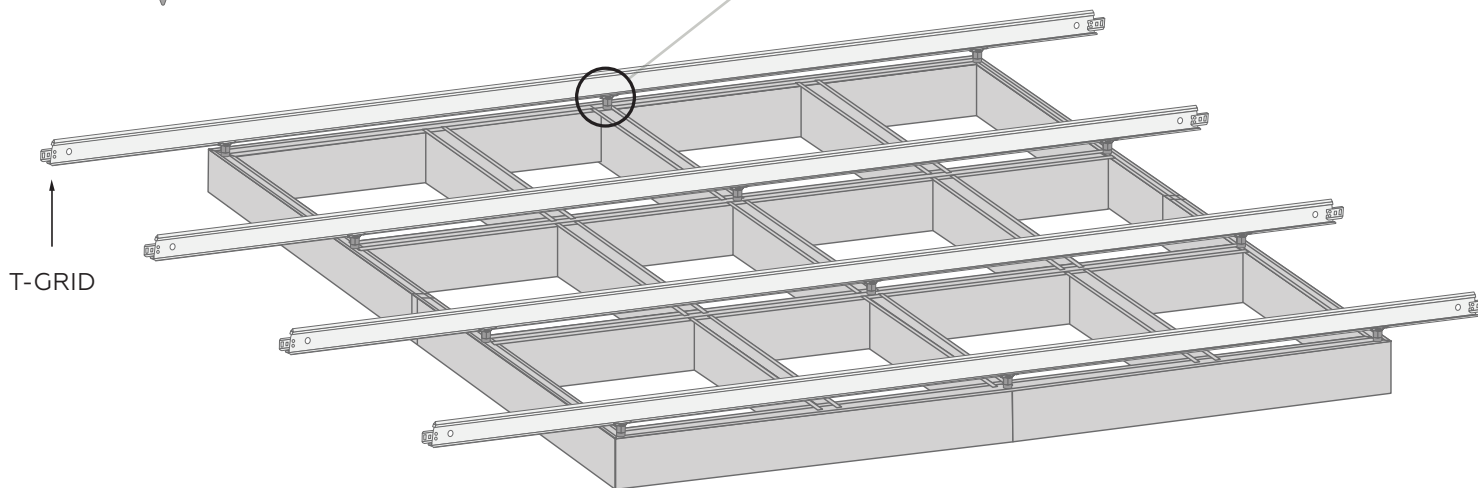
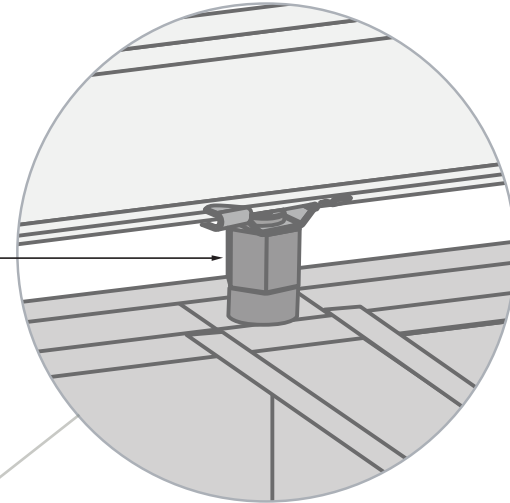
Frame is intended for "On Grid" or "T-Bar Ceiling" mounting and is to be installed with twist clips, or cable grippers. See details for each mounting option below.



HARDWARE TO ATTACH BAFFLE TO T-GRID

AVAILABLE FOR 9/16" AND 15/16" T-GRIDS

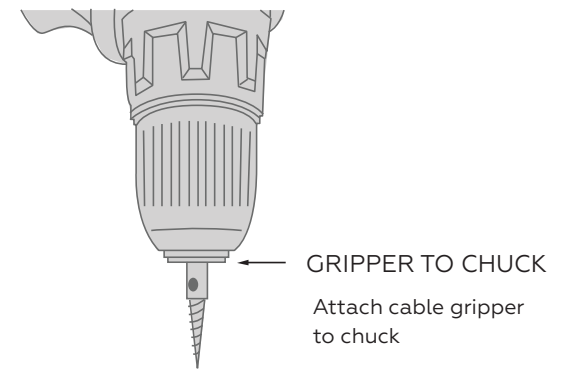
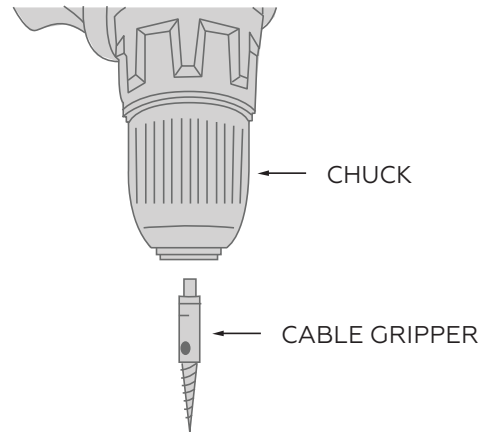
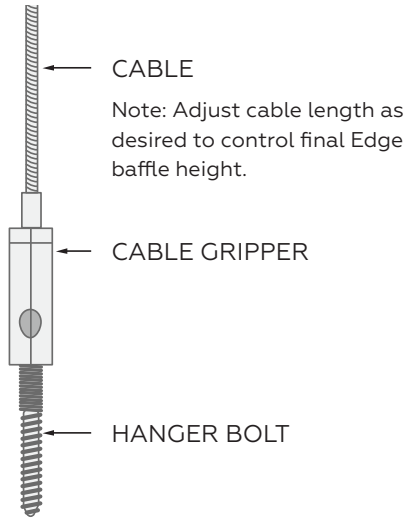
DETAIL





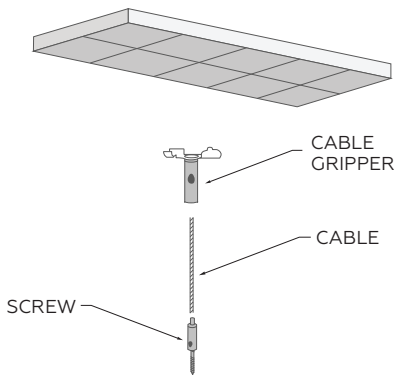
INSTALLING FRAME

CABLE GRIPPERS

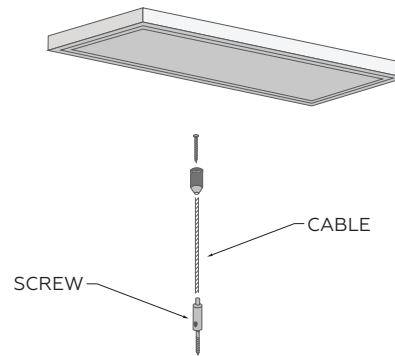


Drop Ceiling

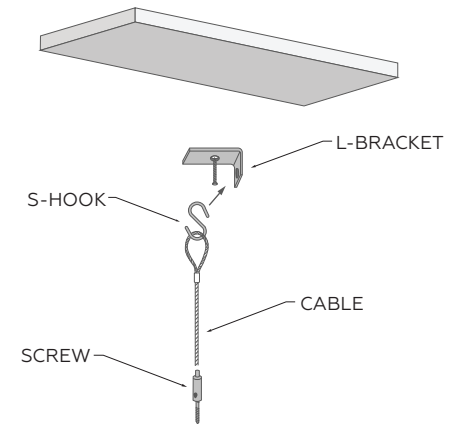
Compatible with 15/16" t-grids.



Decorative Hard Ceiling



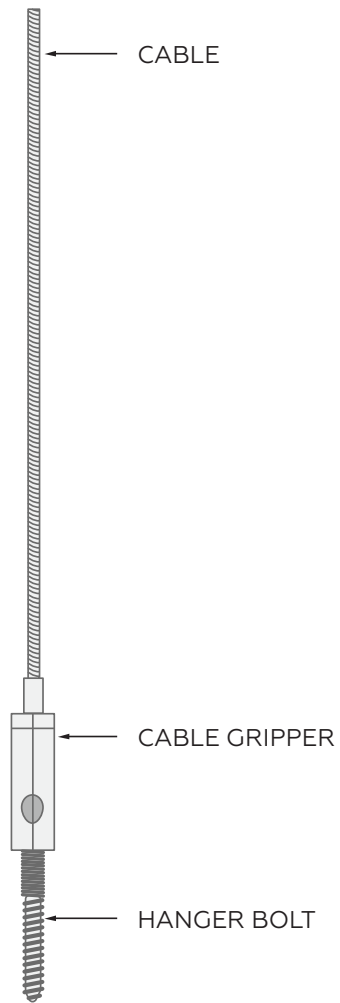
Hard Ceiling



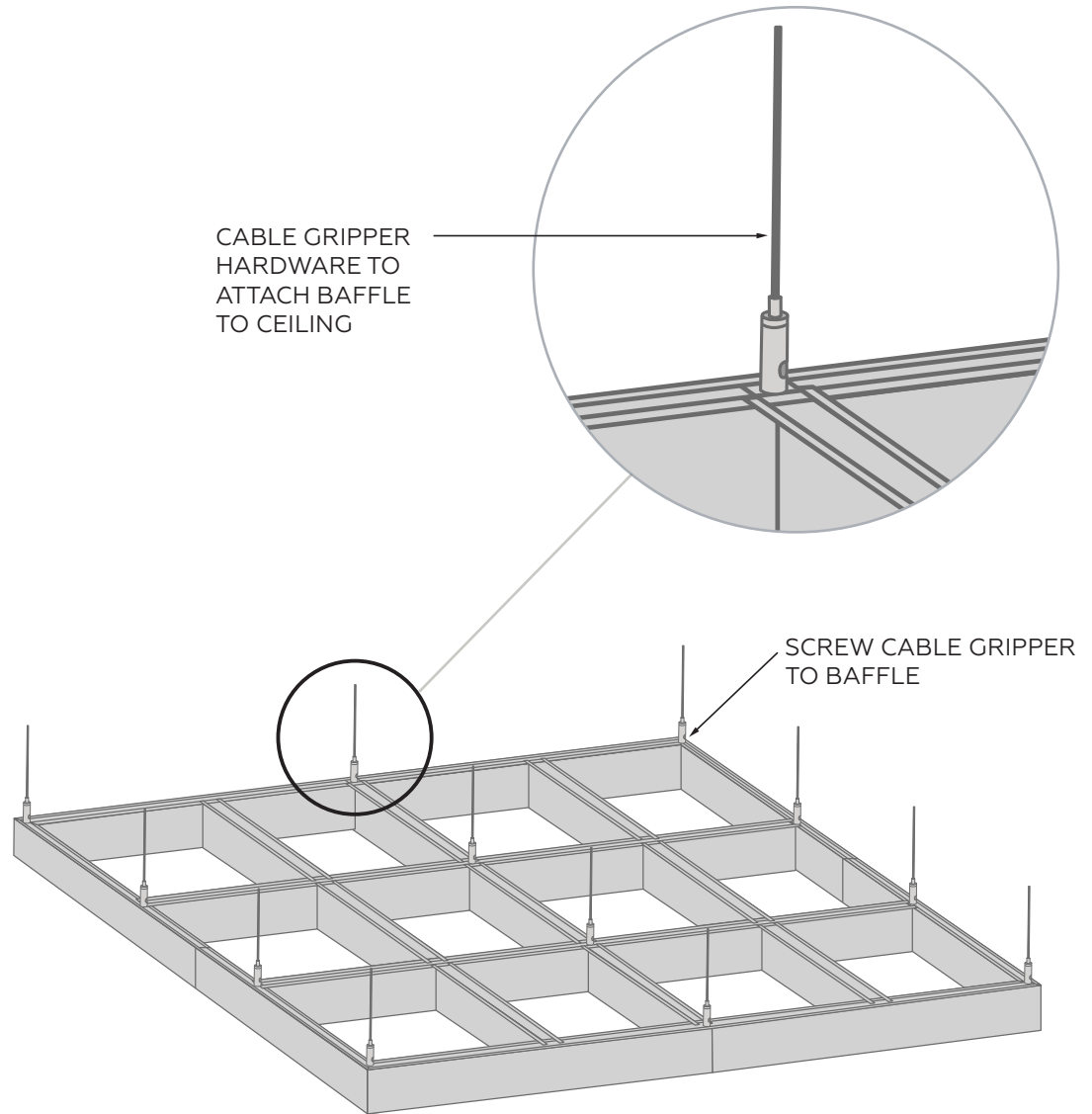


INSTALLING FRAME

CABLE GRIPPERS



DETAIL





INSTALLING FRAME

UNISTRUT

Frame can be suspended from Unistrut using threaded rods and screws, allowing for secure and adjustable mounting to structure above.

