



COLIGO WALL

felt wall





COLIGO WALL-MOUNTED PANELS

Coligo Acoustic Wall Panels consist of flat acoustic felt panels, which should be mounted to the wall using included construction adhesive and enhancers (optional).

Installers should rely upon their own professional experience and understanding of their unique requirements to ensure a successful install.

STANDARD DIMENSIONS

Single Panel	46"W x 119"H
Felt Thickness	3/8"

TOOLS REQUIRED



Cutting tool



Steel straightedge



Drill



Screws



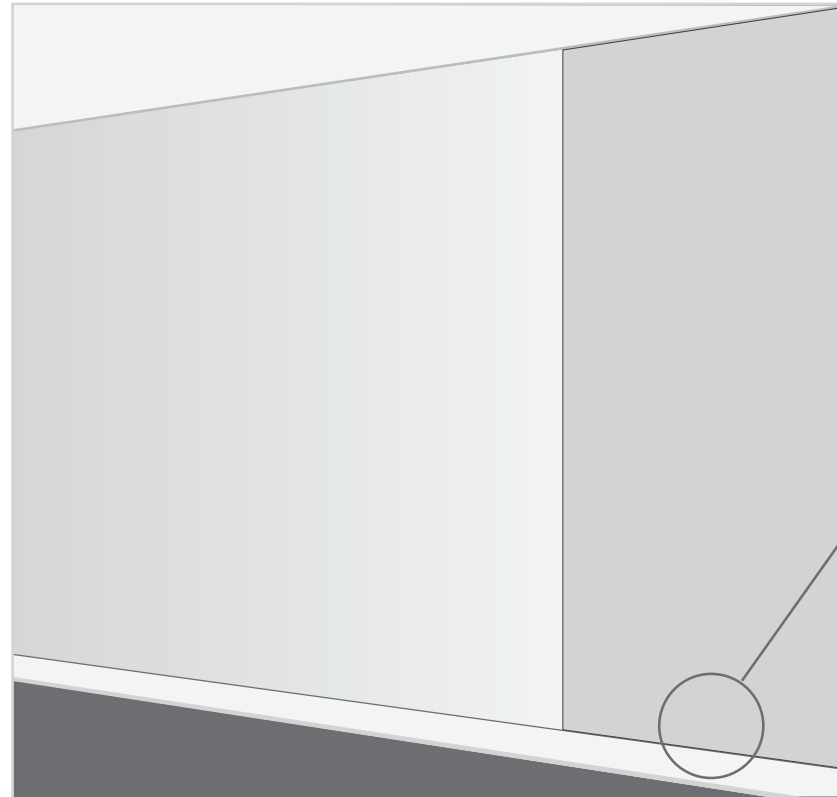
Hole saw



Construction adhesive

DRY FIT

Before screwing in backer, dry fit the first panel to the wall.

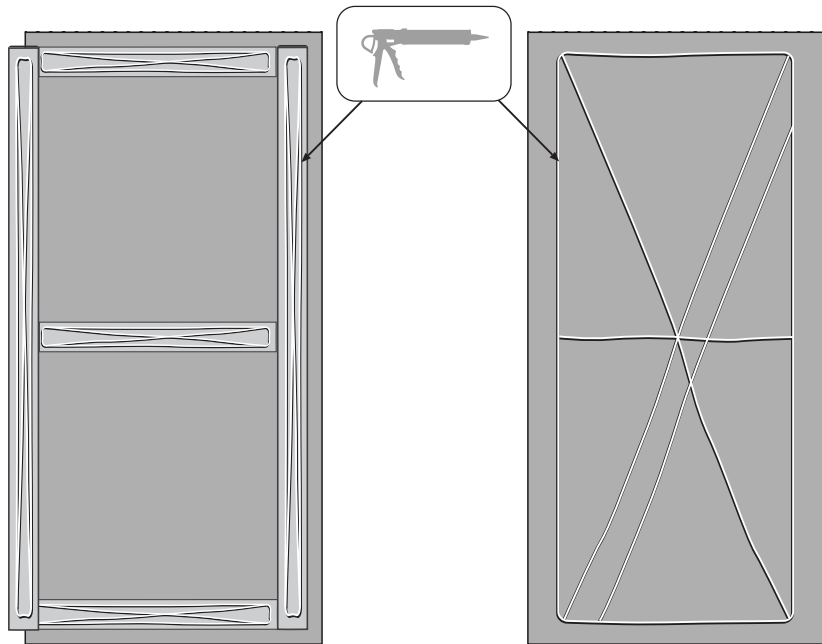


Note: to avoid irregularity, we recommend applying to the top of a baseboard.



INSTALLING COLIGO WALL

APPLY CONSTRUCTION ADHESIVE (RECOMMENDED)

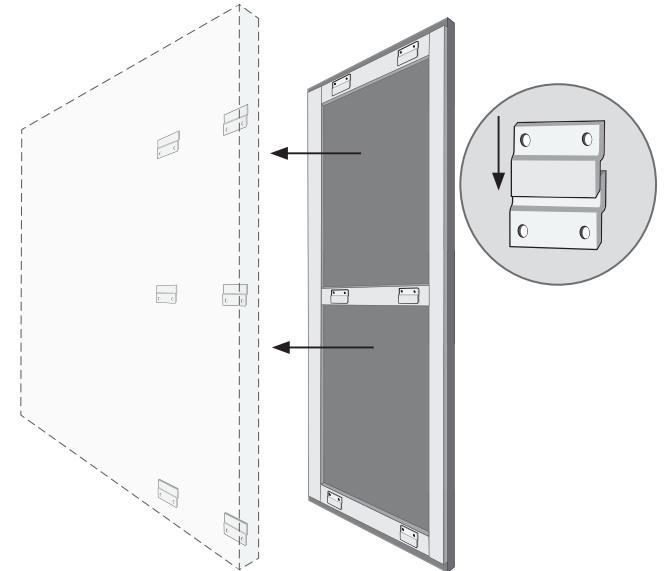


With acoustic enhancers

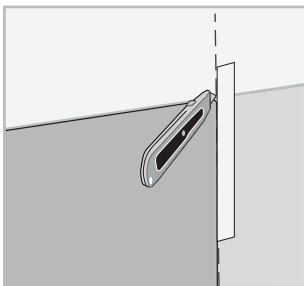
Without acoustic enhancers

HOOK Z-CLIPS (ALTERNATIVE)

Determine the desired position of z-clips and screw them into the back of the panel.

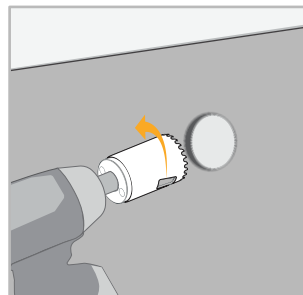


TRIM AS REQUIRED



Trim panels along the end to fit using a straight edge and cutting tool.

TRIMMING HOLES



When cutting a circular hole use a hole saw, and run it backwards to minimize pulling.