



## ARETE

felt wall

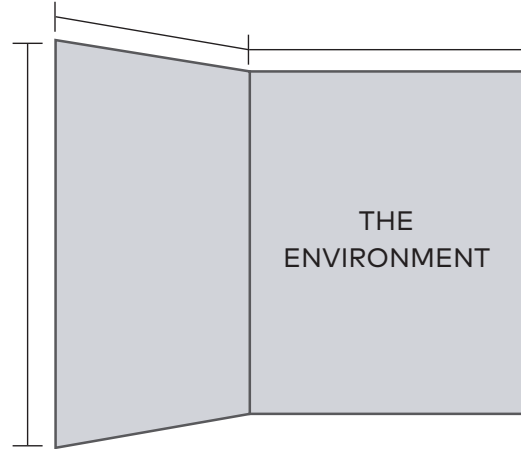




# HOW TO SPECIFY

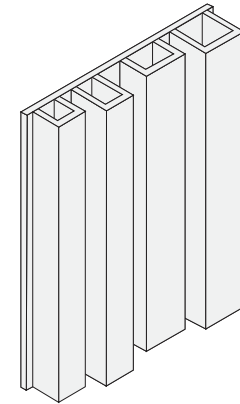
Arete brings texture and dimension to your space. The precise nature of each ridge adds contrast, revealing confidence and an innovative spirit, while also reducing unwanted noise and echo within the workspace.

## 01 SPECS



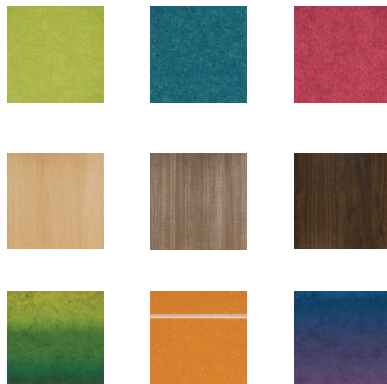
Tell us about your space, the design, and dimensions.

## 02 SLAT OPTIONS



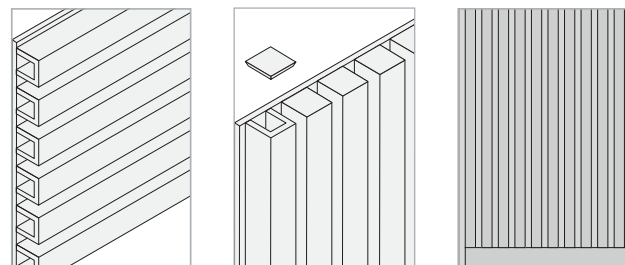
What slat size and shape does your design call for? Arete is offered in four unique finishes.

## 03 COLORS



Standard. Woodgrains. Customs.  
What's your color? (See page 7)

## 04 MAKE IT YOUR OWN!



Spec your own slat size and orientation.  
Add end caps and/or ledge pieces. (See page 5)

## SHADES by MPS



Spec your own color, gradient, or woodgrain. (See page 7)

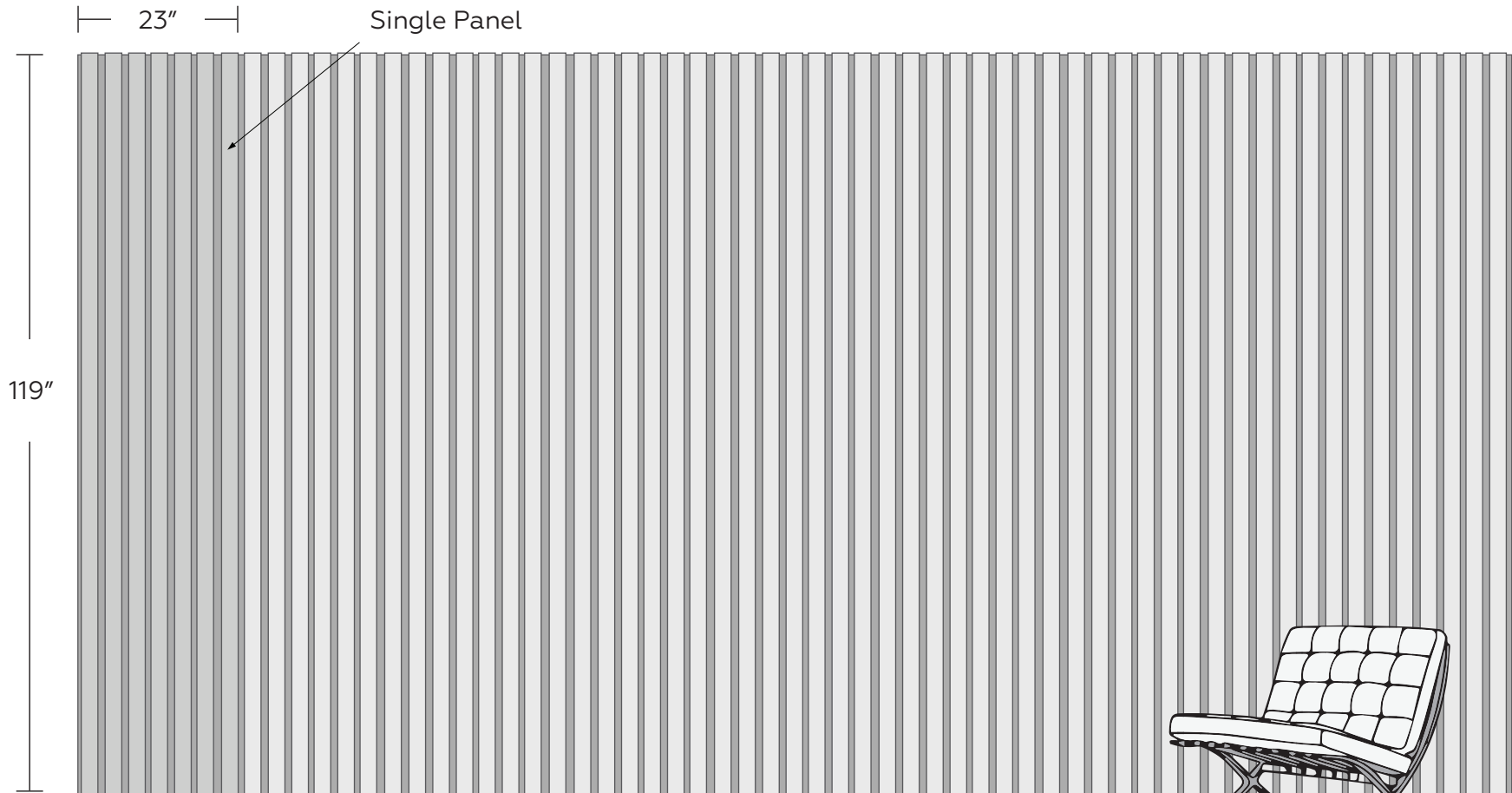


# PRODUCT SPECIFICATIONS

## STANDARD DIMENSIONS

Single Panel            23"W x 119"H

Felt Thickness        2"



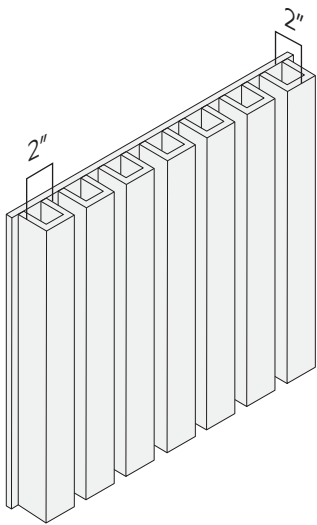
\*Customize width using 23" standard panels



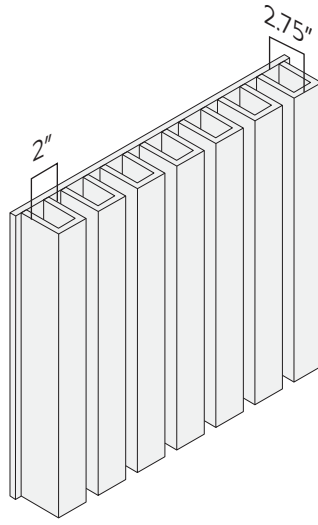
# PRODUCT SPECIFICATIONS

## SLAT OPTIONS

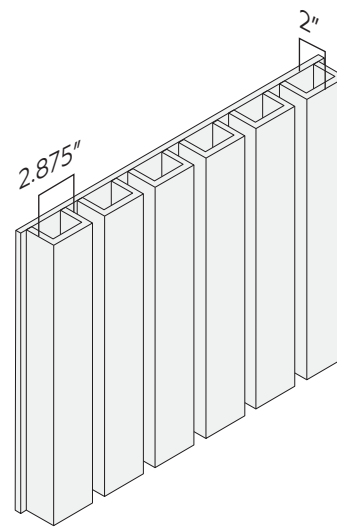
Arete comes in four standard slat sizes and shapes.



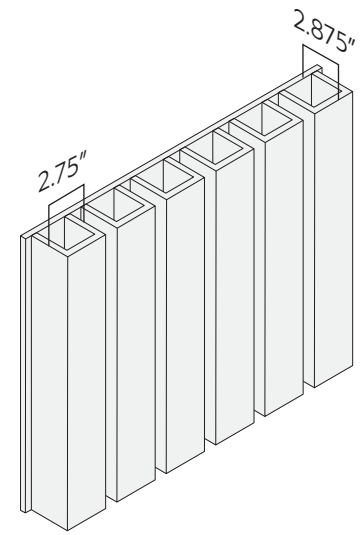
STANDARD



DEEP



LARGE



EPIC



# PRODUCT SPECIFICATIONS

## CONNECTION

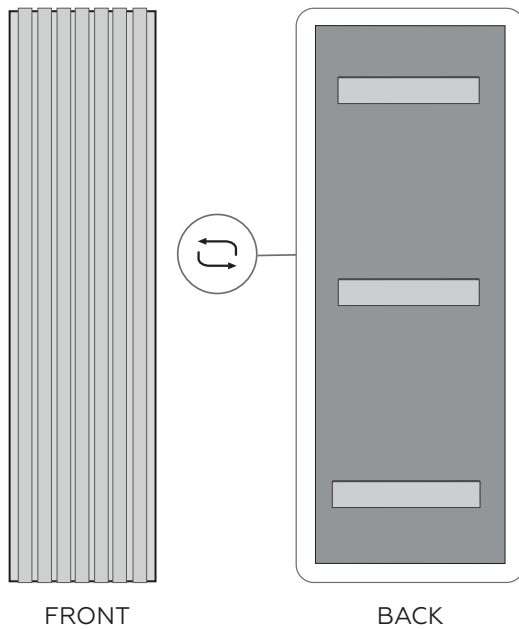
Screws concealed by slats.

## ADDITIONAL OPTIONS

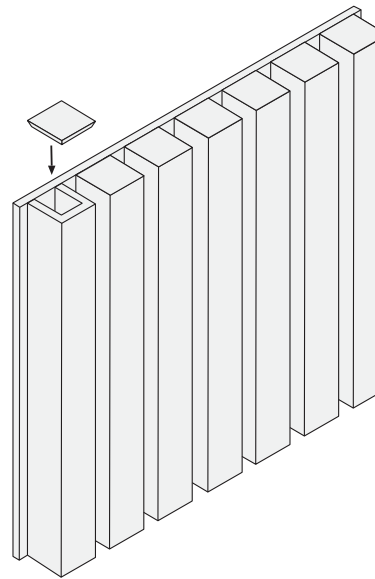
End Caps: Finished mitered end caps to conceal stand-offs.

Ledge Pieces: Mitered back panel folded return edge to conceal stand-offs.

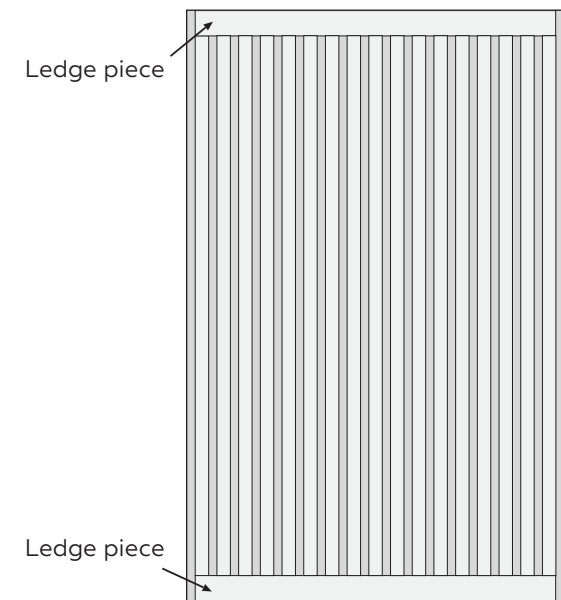
## ACOUSTIC ENHANCERS



## END CAPS

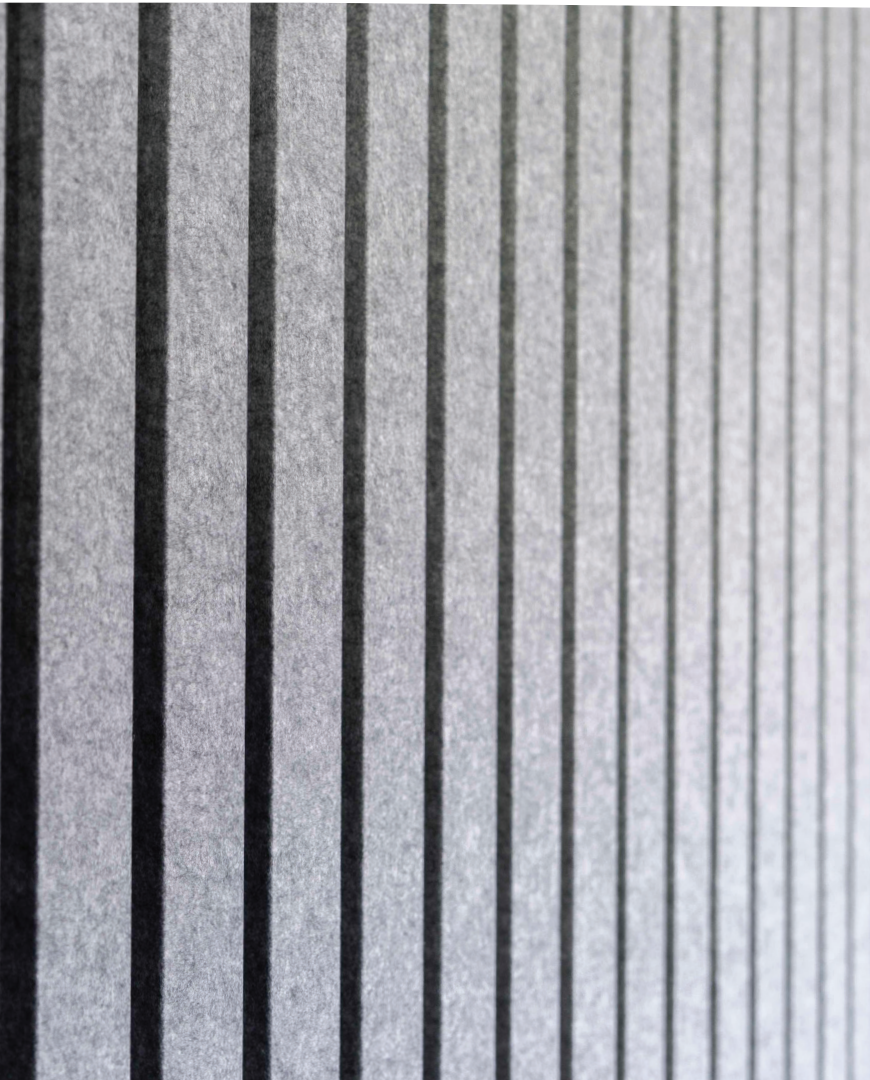


## LEDGE PIECES





# TECHNICAL SPECIFICATIONS



## Absorption

Standard: .85 NRC

(subject to mounting conditions)

## Fire Rating

ASTM E84 Class A

## Warranty

Two (2) Years

## VOC

ASTM D5116 Compliant

## Material

100% PET acoustic felt

## Maintenance

Vacuum clean to remove dust and debris

## Sustainability

**MPS 9mm Acoustic Panels**  
**MPS LLC**

**Final Assembly:** Trenton, Texas, USA  
**Life Expectancy:** 50 Year(s)  
**End of Life Options:** Salvageable/Reusable in its Entirety, Take Back Program (Trenton, TX), Recyclable (100%)

**Ingredients:**  
**MPS 9mm PET:** Polyethylene Terephthalate

**Living Building Challenge Criteria:** Compliant

**I-13 Red List:**  
 LBC Red List Free      % Disclosed: 100% at 100ppm  
 LBC Red List Approved      VOC Content: Not Applicable  
 Declared

**I-10 Interior Performance:** CDPH Standard Method v1.2-2017  
**I-14 Responsible Sourcing:** Not Applicable

MPS-0001  
EXP. 01 NOV 2025  
Original Issue Date: 2022

MANUFACTURER RESPONSIBLE FOR LABEL ACCURACY  
INTERNATIONAL LIVING FUTURE INSTITUTE™ [living-future.org/declare](http://living-future.org/declare)





# COLORS & WOODGRAINS

MPS offers a range of standard colors, woodgrains, and custom colors with SHADES.

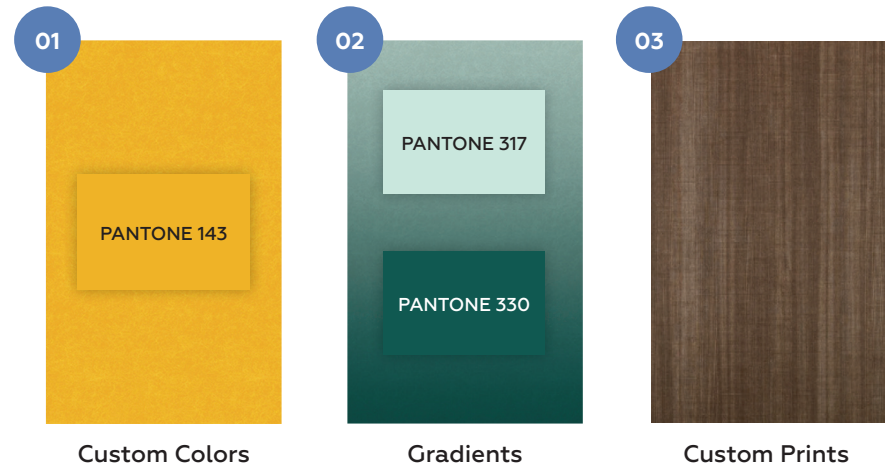
## STANDARD COLORS



## WOODGRAINS



## SHADES by MPS



Your design world revolves around color, so don't be limited by standard colors and outdated palettes. SHADES offers Pantone options, full-color prints, and unique gradients. Flat or Heathered? Your choice.

\*Some limitations apply. Consult your MPS acoustics expert to discuss your project.



# MOUNTING OPTIONS

## TOOLS REQUIRED



Cutting tool



Steel straightedge



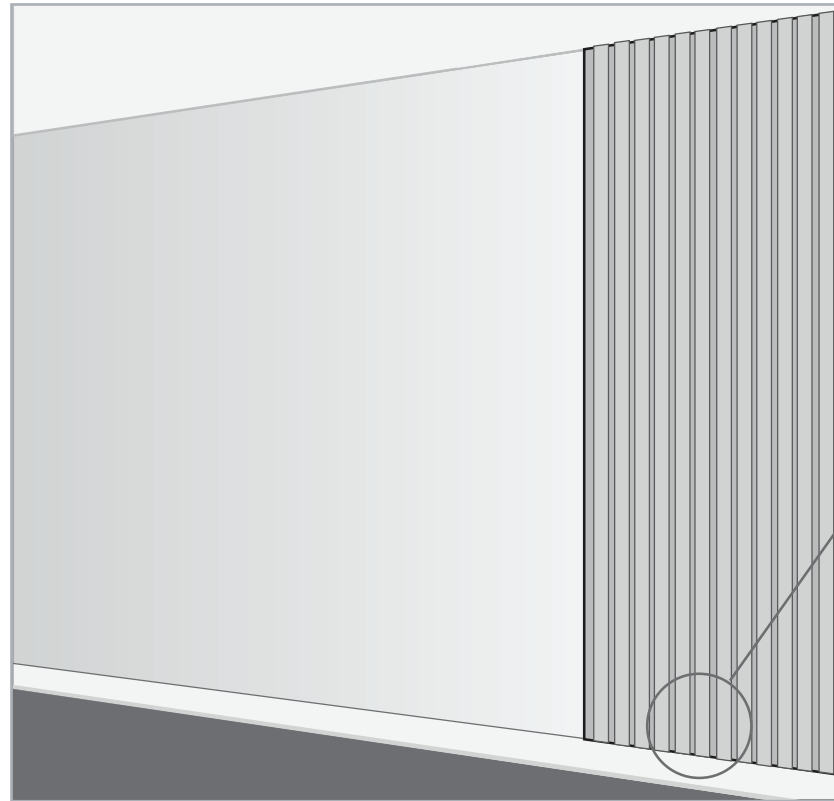
Drill



Screws

## DRY FIT

Before screwing in backer, dry fit the first panel to the wall.



Note: to avoid irregularity, we recommend applying to the top of a baseboard.





# MOUNTING OPTIONS

## MOUNT WITH SCREWS

Screw the backer panel and enhancers to the wall, then attach the Arete slats.

