



JOIST

felt ceiling baffle

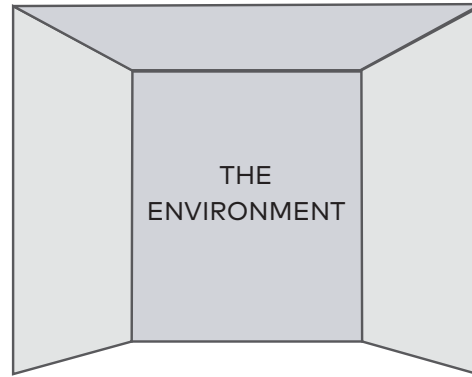




HOW TO SPECIFY

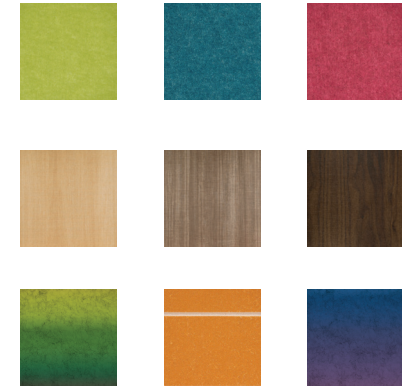
Joist provides a uniquely effective baffle design with a low-profile aesthetic, designed especially for spaces with low, hard ceilings where standard baffles or clouds aren't an option.

01 SPECS



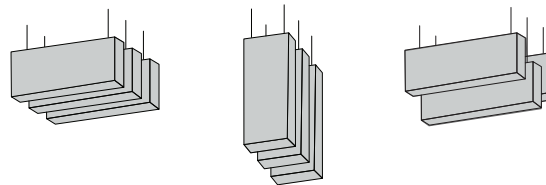
Tell us about your space, the design, and dimensions.

02 COLORS



Standard. Woodgrains. Customs. What's your color? (See page 6)

03 MAKE IT YOUR OWN!



Spec your own configuration. Customize orientation, spacing, etc.

SHADES by MPS



Spec your own color, gradient, or woodgrain. (See page 6)



PRODUCT SPECIFICATIONS

CUSTOM BAFFLE DIMENSIONS

Variable Length 24" - 119"L

Standard 7"H x 2 7/8"W

*Custom heights and widths available

• Hardware is modular and designed to mount anywhere on the baffle

• Compatible with 9/16" (twist clips) and 15/16" t-grids (provided by others)

• Up to 60" between mounting locations is recommended



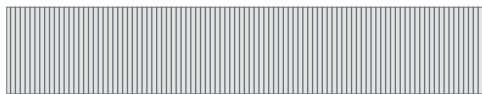
CUSTOM OPTIONS

• Trak your Joist baffle. Apply Trak ridges to your Joist for a textured look.

• Apply a reveal colorway to your Trak'd Joist.

*See mpsacoustics.com/color for colorway options

*Unlimited options with 30 or 45° v-cuts



Trak ridges



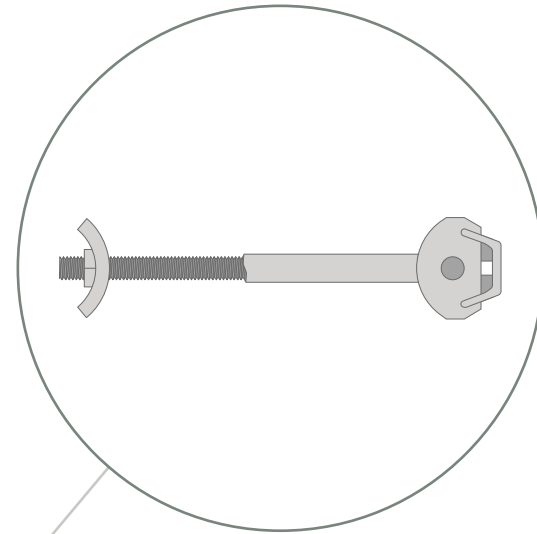
PRODUCT SPECIFICATIONS

CONTINUOUS BAFFLE

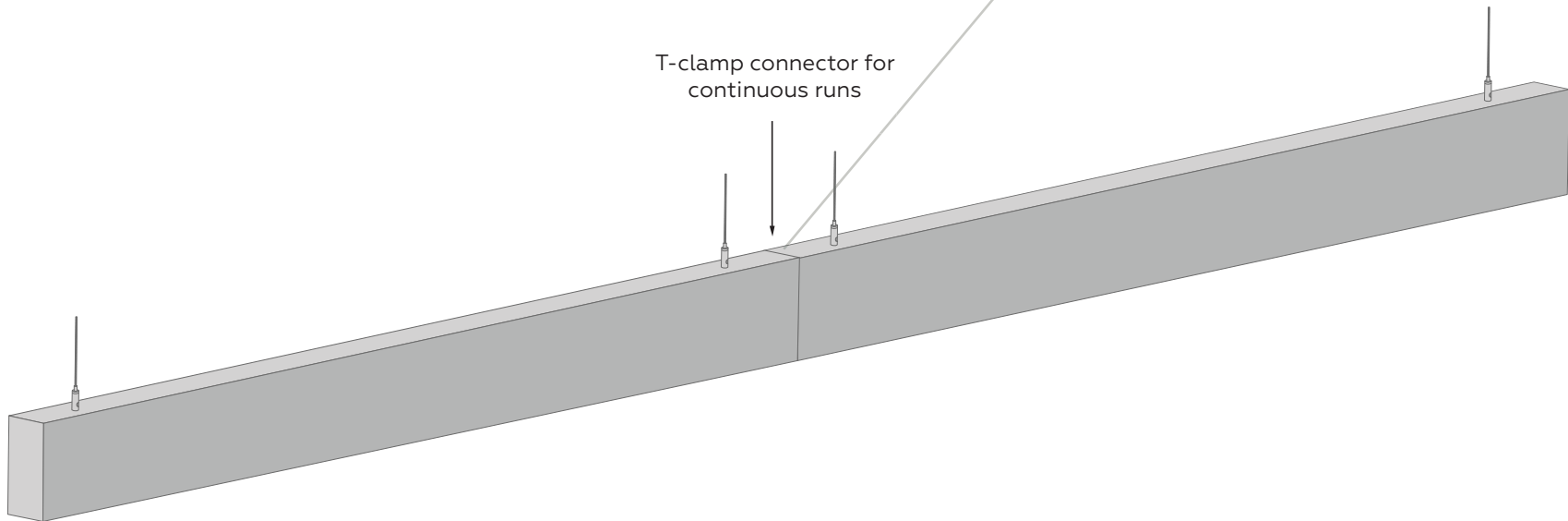
Need Joist to span a larger space?

Connect multiple baffles with a t-clamp to make it look like one, long, continuous baffle.

T-CLAMP



T-clamp connector for continuous runs





TECHNICAL SPECIFICATIONS



Absorption

Standard: 1.4 NRC

Recommend spacing
for max NRC: 6"

Fire Rating

ASTM E84 Class A

Warranty

Two (2) Years

VOC

ASTM D5116 Compliant

Material

PET Felt: 100% polyester fiber

Maintenance

Vacuum clean to remove dust
and debris

Sustainability



MPS 9mm Acoustic Panels
MPS LLC

Final Assembly: Trenton, Texas, USA
Life Expectancy: 50 Year(s)
End of Life Options: Salvageable/Reusable in its Entirety, Take Back Program (Trenton, TX), Recyclable (100%)

Ingredients:

MPS 9mm PET: Polyethylene Terephthalate

Living Building Challenge Criteria: Compliant

I-13 Red List:

<input checked="" type="checkbox"/> LBC Red List Free	% Disclosed: 100% at 100ppm
<input type="checkbox"/> LBC Red List Approved	VOC Content: Not Applicable
<input type="checkbox"/> Declared	

I-10 Interior Performance: CDPH Standard Method v1.2-2017
I-14 Responsible Sourcing: Not Applicable

MPS-0001
EXP. 01 NOV 2025
Original Issue Date: 2022

MANUFACTURER RESPONSIBLE FOR LABEL ACCURACY
INTERNATIONAL LIVING FUTURE INSTITUTE™ living-future.org/declare





COLORS & WOODGRAINS

MPS offers a range of standard colors, woodgrains, and custom colors with SHADES.

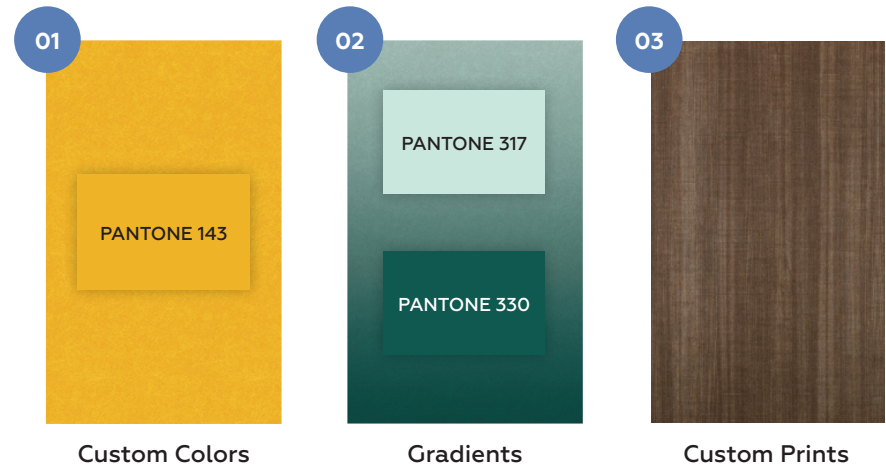
STANDARD COLORS



WOODGRAINS



SHADES by MPS



Your design world revolves around color, so don't be limited by standard colors and outdated palettes. SHADES offers Pantone options, full-color prints, and unique gradients. Flat or Heathered? Your choice.

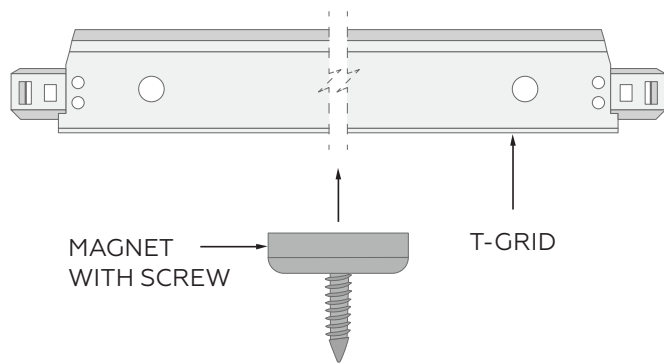
*Some limitations apply. Consult your MPS acoustics expert to discuss your project.



MOUNTING OPTIONS

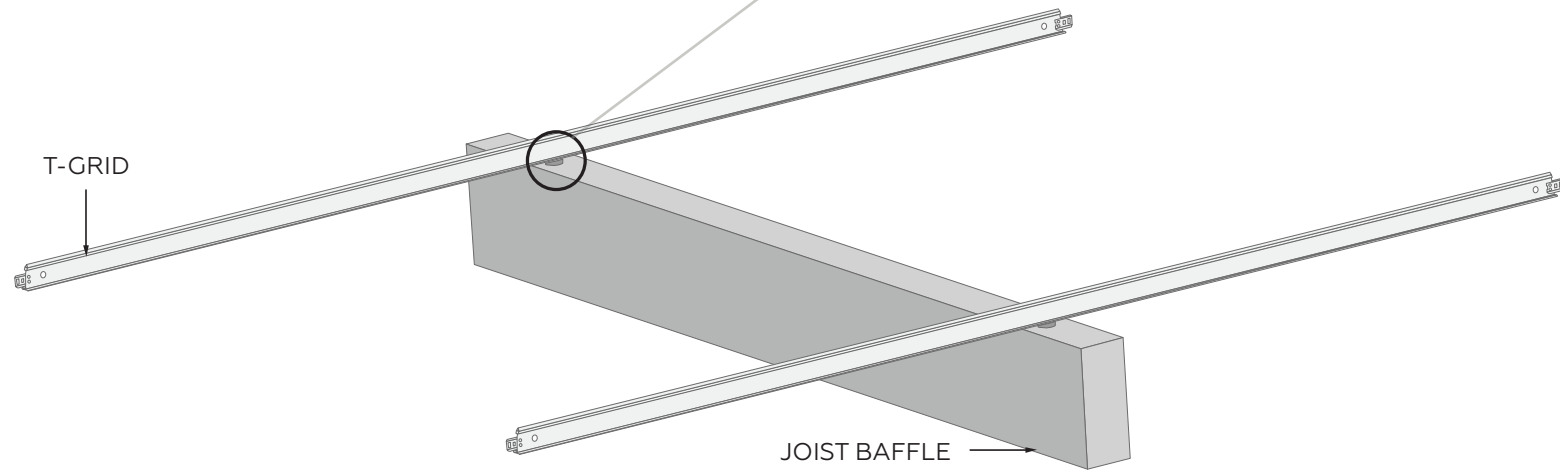
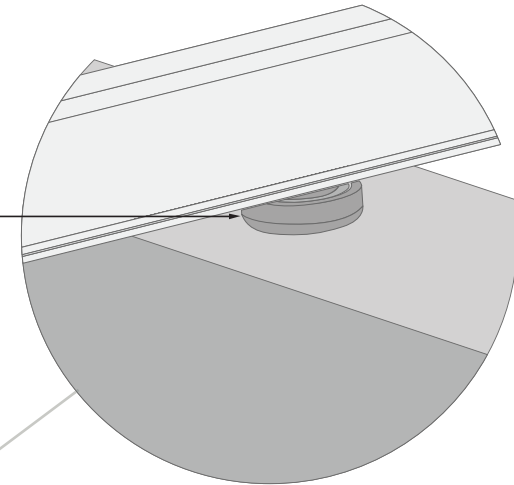
MOUNTING ON T-GRID

Joist is intended for "On Grid" or "T-Bar Ceiling" mounting and is to be installed with magnets, twist clips, or cable grippers. See details for each mounting option below.



DETAIL

MAGNET
HARDWARE TO
ATTACH BAFFLE
TO 15/16" T-GRID

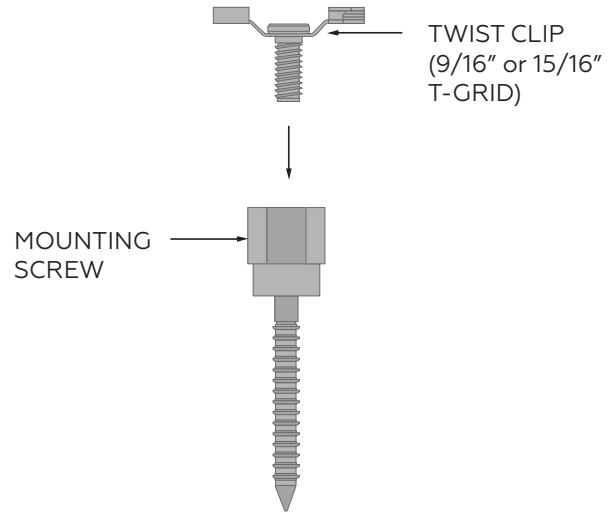




MOUNTING OPTIONS

TWIST CLIPS

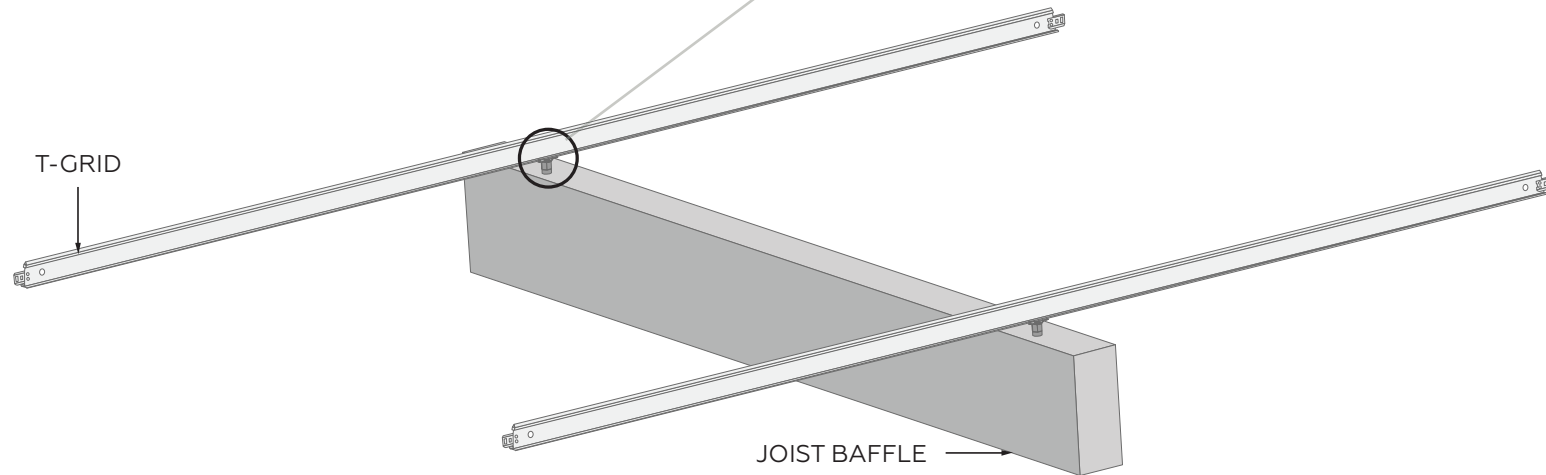
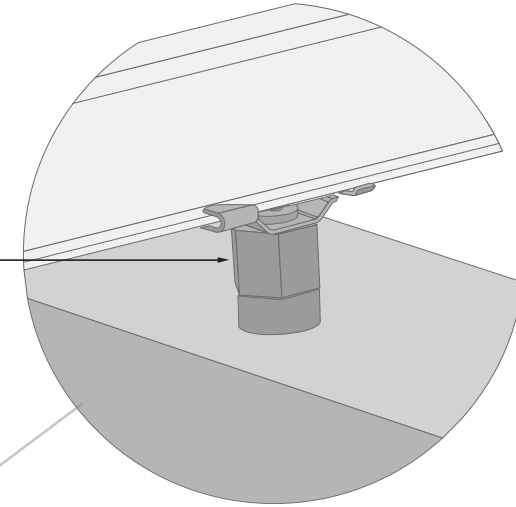
Compatible with 9/16" and 15/16" t-grids.



DETAIL

HARDWARE TO
ATTACH BAFFLE
TO T-GRID

AVAILABLE FOR
9/16" AND 15/16"
T-GRIDS





MOUNTING OPTIONS

