



FRAME

felt ceiling baffle

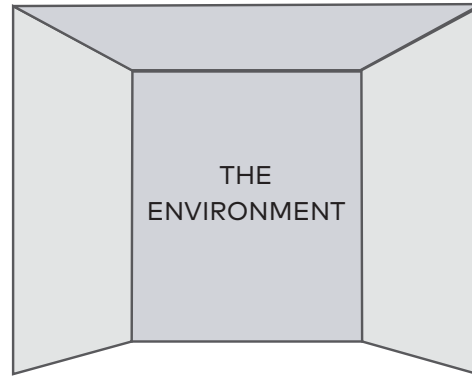




HOW TO SPECIFY

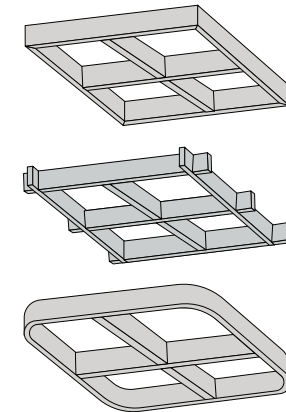
Frame acoustic ceiling baffles offer a minimal, yet dimensional geometric element for any space. Available in uniform or variable height, Frame is a creative alternative to the traditional drop ceiling.

01 SPECS



Tell us about your space, the design, and dimensions.

02 BAFFLE STYLE



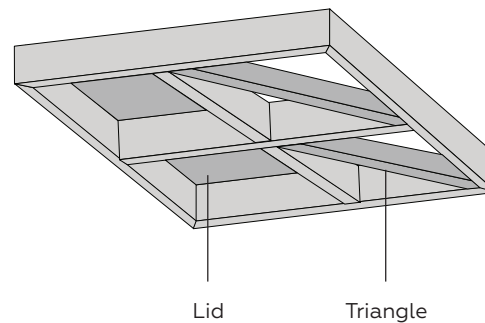
Does your project call for a straight-edge, overhang, or curved Frame baffle?

03 COLORS



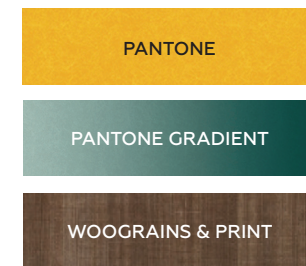
Standard. Woodgrains. Customs.
What's your color? (See page 6)

04 MAKE IT YOUR OWN



Customize your Frame by adding panels.
(See page 4)

SHADES by MPS



Spec your own color, gradient, or woodgrain. (See page 6)



PRODUCT SPECIFICATIONS

FULLY CUSTOMIZABLE

- Spec your own grid size and spacing.
- Knockouts for lighting and other ceiling features.
- Connect multiple baffles for continuous runs to span larger areas.

STANDARD DIMENSIONS

Variable 24" L x 24" W - 100" L x 100" W
Standard 7" H

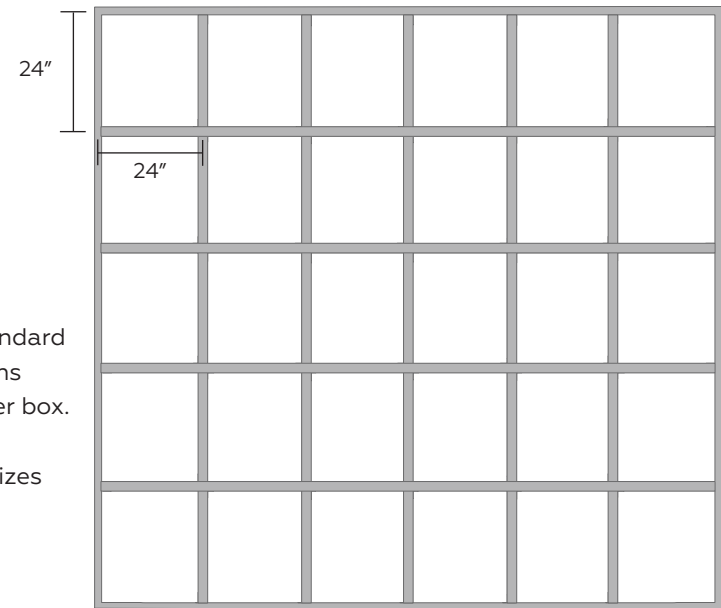
PROFILE



MOUNTING

- Mounting hardware is modular and designed to mount anywhere on the baffle
- Up to 36" between mounting locations is recommended

TOP VIEW



Note: Standard dimensions shown, per box.

Custom sizes available.

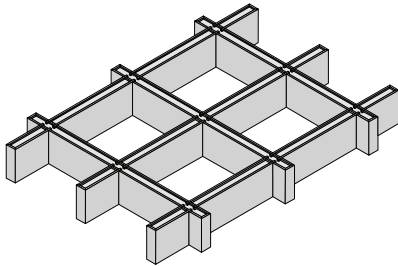


PRODUCT SPECIFICATIONS

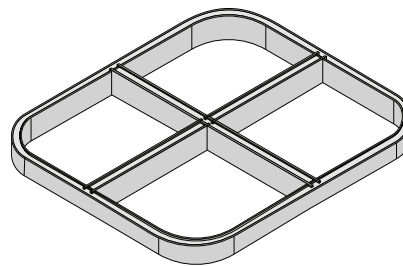
STANDARD AND CUSTOM OPTIONS

Choose from one of our standard Frame options or customize it to fit your project needs.

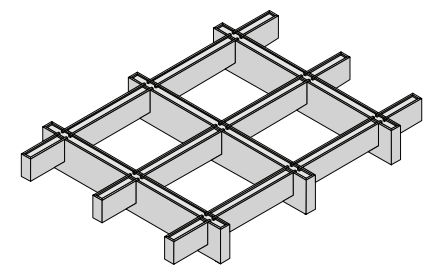
OVERHANG



CURVED

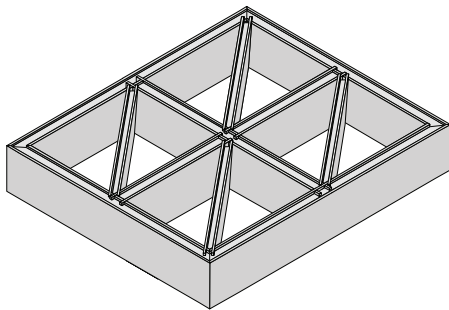


VARIABLE HEIGHT



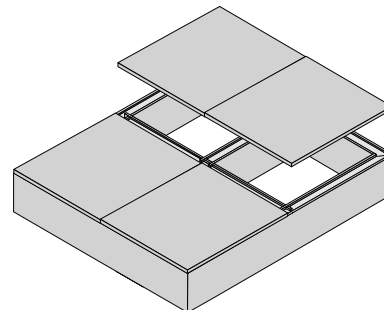
TRIANGLES

Add a panel across each square opening to create triangular openings for a unique geometrical look.



LIDS

Add a panel above each square opening to create a flat top for your Frame.





TECHNICAL SPECIFICATIONS



Absorption

Standard: 1.4 NRC

(Varies based on grid spacing)

Fire Rating

ASTM E84 Class A

Warranty

Two (2) Years

VOC

ASTM D5116 Compliant

Material

PET Felt: 100% polyester fiber

Maintenance

Vacuum clean to remove dust and debris

Sustainability

Declare.

MPS 9mm Acoustic Panels
MPS LLC

Final Assembly: Trenton, Texas, USA

Life Expectancy: 50 Year(s)

End of Life Options: Salvageable/Reusable in its Entirety, Take Back Program (Trenton, TX), Recyclable (100%)

Ingredients:

MPS 9mm PET: Polyethylene Terephthalate

Living Building Challenge Criteria: Compliant

I-13 Red List:

LBC Red List Free % Disclosed: 100% at 100ppm
 LBC Red List Approved VOC Content: Not Applicable
 Declared

I-10 Interior Performance: CDPH Standard Method v1.2-2017

I-14 Responsible Sourcing: Not Applicable

MPS-0001
EXP. 01 NOV 2025
Original Issue Date: 2022

MANUFACTURER RESPONSIBLE FOR LABEL ACCURACY
INTERNATIONAL LIVING FUTURE INSTITUTE™ living-future.org/declare



OEKO-TEX®
CONFIDENCE IN TEXTILES
STANDARD 100





COLORS & WOODGRAINS

MPS offers a range of standard colors, woodgrains, and custom colors with SHADES.

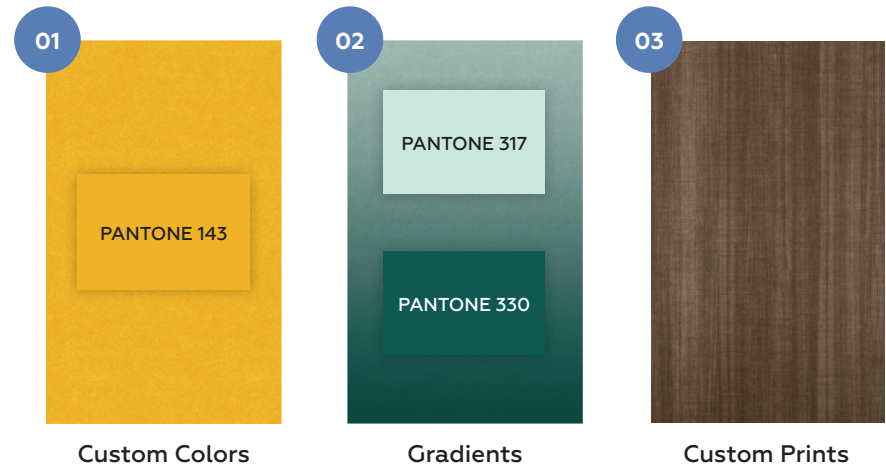
STANDARD COLORS



WOODGRAINS



SHADES by MPS



Your design world revolves around color, so don't be limited by standard colors and outdated palettes. SHADES offers Pantone options, full-color prints, and unique gradients. Flat or Heathered? Your choice.

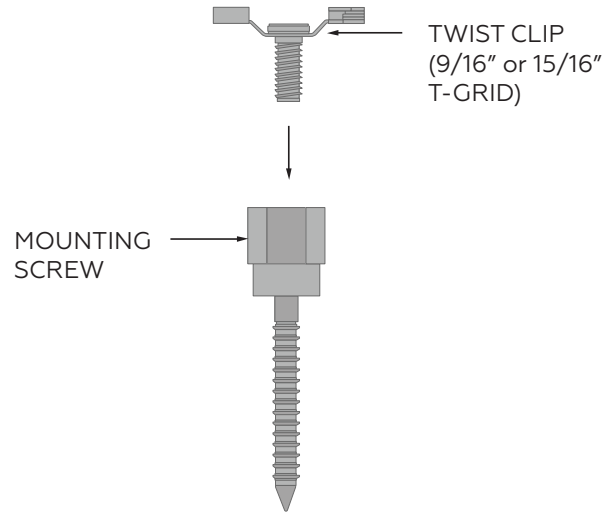
*Some limitations apply. Consult your MPS acoustics expert to discuss your project.



MOUNTING OPTIONS

TWIST CLIPS

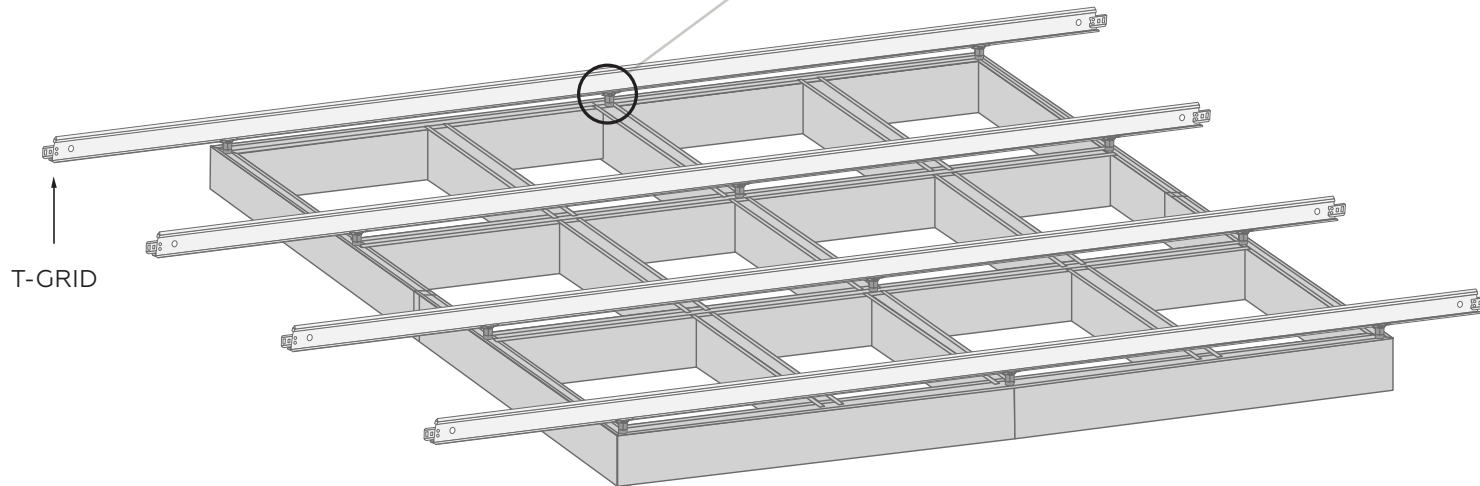
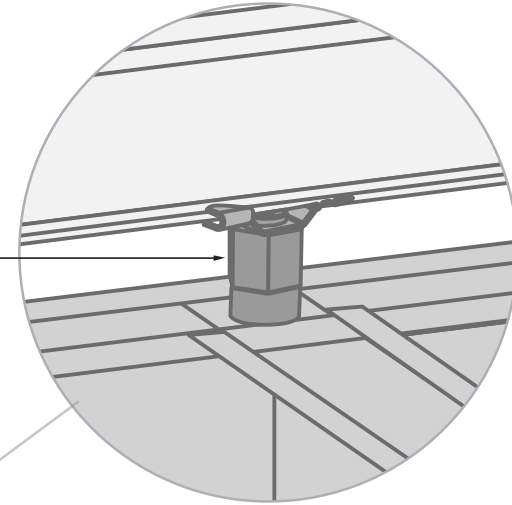
Compatible with 9/16" and 15/16" t-grids.



HARDWARE TO
ATTACH BAFFLE
TO T-GRID

AVAILABLE FOR
9/16" AND 15/16"
T-GRIDS

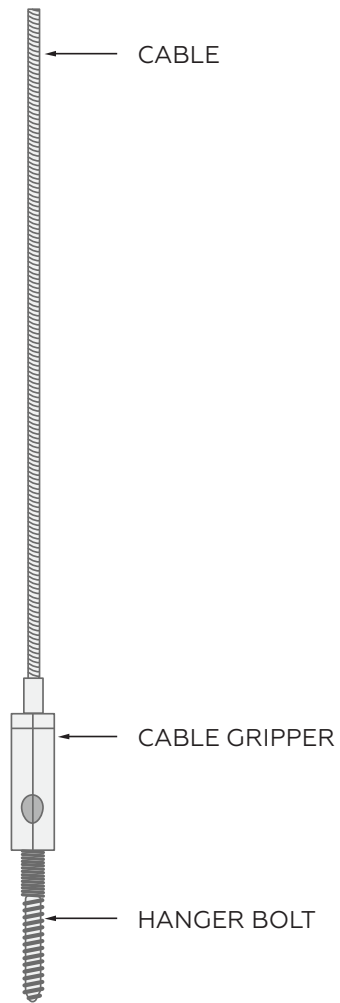
DETAIL





MOUNTING OPTIONS

CABLE GRIPPERS



DETAIL

