



## CRETE

felt ceiling baffle

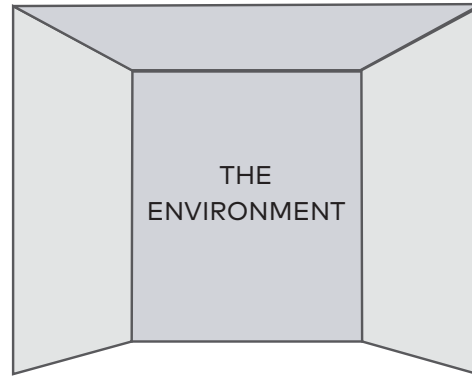




# HOW TO SPECIFY

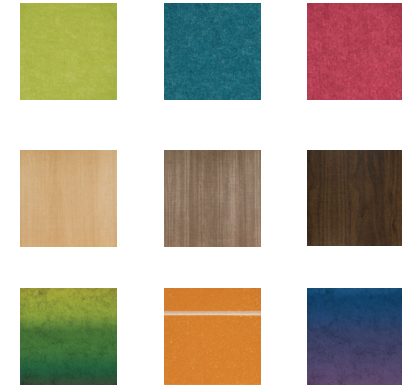
Crete adds bold colors and statement lines, revealing confidence and innovative spirit, while also removing unwanted noise and echo from the workspace.

## 01 SPECS



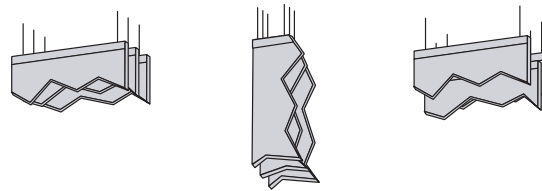
Tell us about your space, the design, and dimensions.

## 02 COLORS



Standard. Woodgrains. Customs. What's your color? (See page 6)

## 03 MAKE IT YOUR OWN!



Spec your own configuration. Customize orientation, spacing, etc.

### SHADES by MPS



Spec your own color, gradient, or woodgrain. (See page 6)



# PRODUCT SPECIFICATIONS

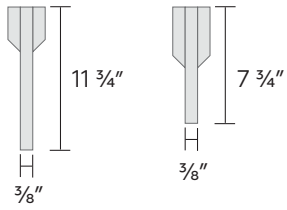
## CUSTOM BAFFLE DIMENSIONS

Variable Length	24" - 119"L
Standard	7 3/4"H or 11 3/4"H
Felt Thickness	3/8"W

\*Custom heights and widths available

- Mounting hardware is modular and designed to mount anywhere on the baffle
- Up to 36" between mounting locations is recommended
- Compatible with 9/16" (twist clips) and 15/16" t-grids (provided by others)

## PROFILE

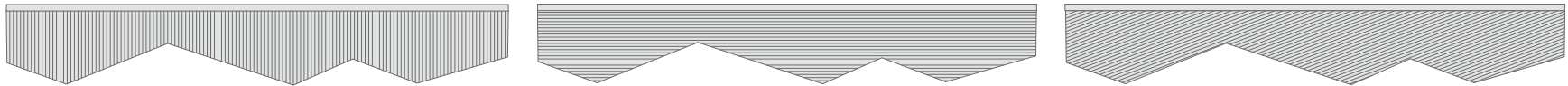


## ELEVATION



## CUSTOM OPTIONS

- Trak your Crete baffle. Apply Trak ridges to your Crete for a textured look.  
\*Unlimited options with 30 or 45° v-cuts
- Apply a reveal colorway to your Trak'd Crete.  
\*See [mpsacoustics.com/color](http://mpsacoustics.com/color) for colorway options



Trak ridges



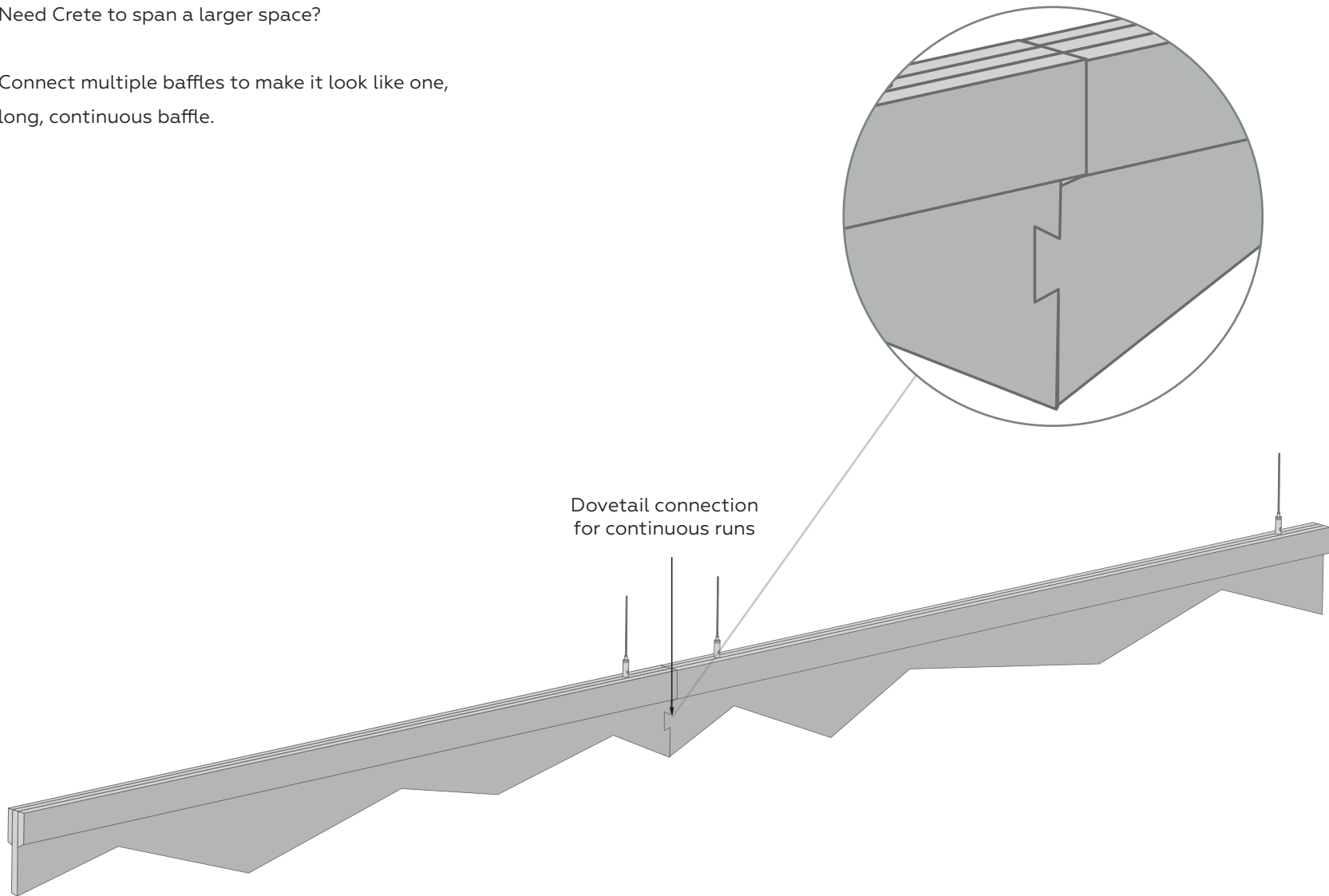
## PRODUCT SPECIFICATIONS

### CONTINUOUS BAFFLE

Need Crete to span a larger space?

Connect multiple baffles to make it look like one, long, continuous baffle.

### DOVETAIL





# TECHNICAL SPECIFICATIONS



## Absorption

Standard: .75-1.15 NRC  
Recommend spacing  
for max NRC: 6-12"

## Fire Rating

ASTM E84 Class A

## Warranty

Two (2) Years

## VOC

ASTM D5116 Compliant

## Material

PET Felt: 100% polyester fiber

## Maintenance

Vacuum clean to remove dust  
and debris

## Sustainability

**Declare.**

**MPS 9mm Acoustic Panels**  
**MPS LLC**

**Final Assembly:** Trenton, Texas, USA  
**Life Expectancy:** 50 Year(s)  
**End of Life Options:** Salvageable/Reusable in its Entirety, Take Back Program (Trenton, TX), Recyclable (100%)

**Ingredients:**

**MPS 9mm PET:** Polyethylene Terephthalate

**Living Building Challenge Criteria:** Compliant

**I-13 Red List:**

- LBC Red List Free      % Disclosed: 100% at 100ppm
- LBC Red List Approved      VOC Content: Not Applicable
- Declared

**I-10 Interior Performance:** CDPH Standard Method v1.2-2017  
**I-14 Responsible Sourcing:** Not Applicable

MPS-0001  
EXP. 01 NOV 2025  
Original Issue Date: 2022

MANUFACTURER RESPONSIBLE FOR LABEL ACCURACY  
INTERNATIONAL LIVING FUTURE INSTITUTE™ [living-future.org/declare](http://living-future.org/declare)

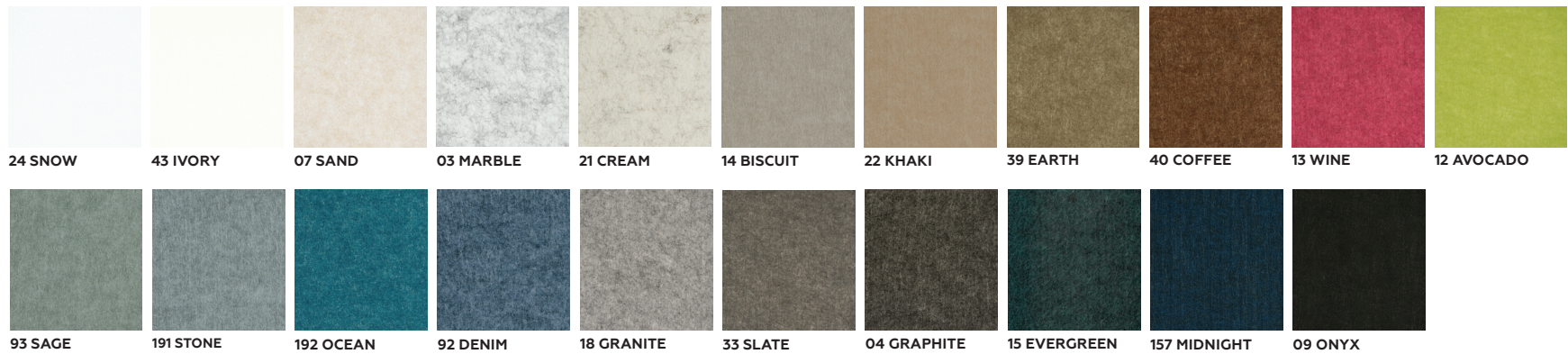




# COLORS & WOODGRAINS

MPS offers a range of standard colors, woodgrains, and custom colors with SHADES.

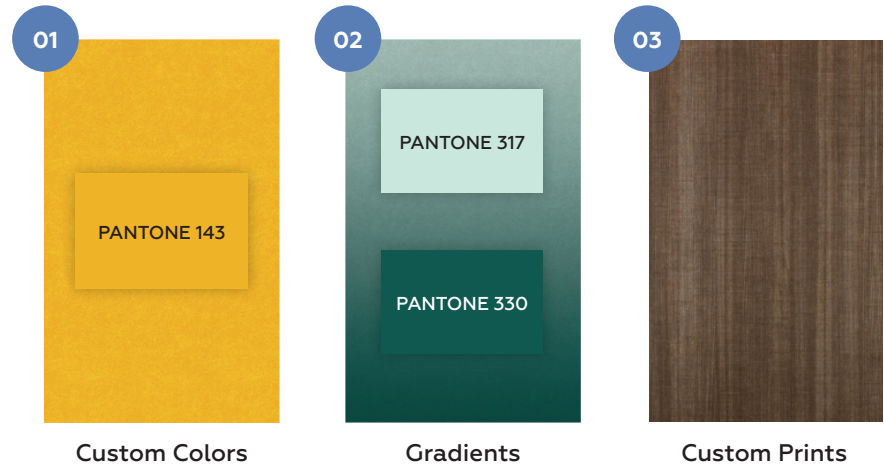
## STANDARD COLORS



## WOODGRAINS



## SHADES by MPS



Your design world revolves around color, so don't be limited by standard colors and outdated palettes. SHADES offers Pantone options, full-color prints, and unique gradients. Flat or Heathered? Your choice. \*Some limitations apply. Consult your MPS acoustics expert to discuss your project.

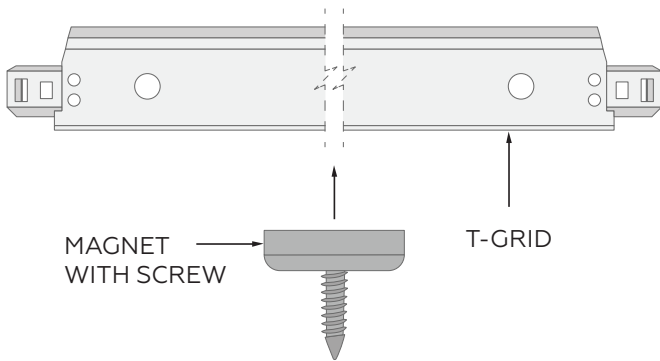


# PRODUCT INSTALLATION

## MOUNTING ON T-GRID

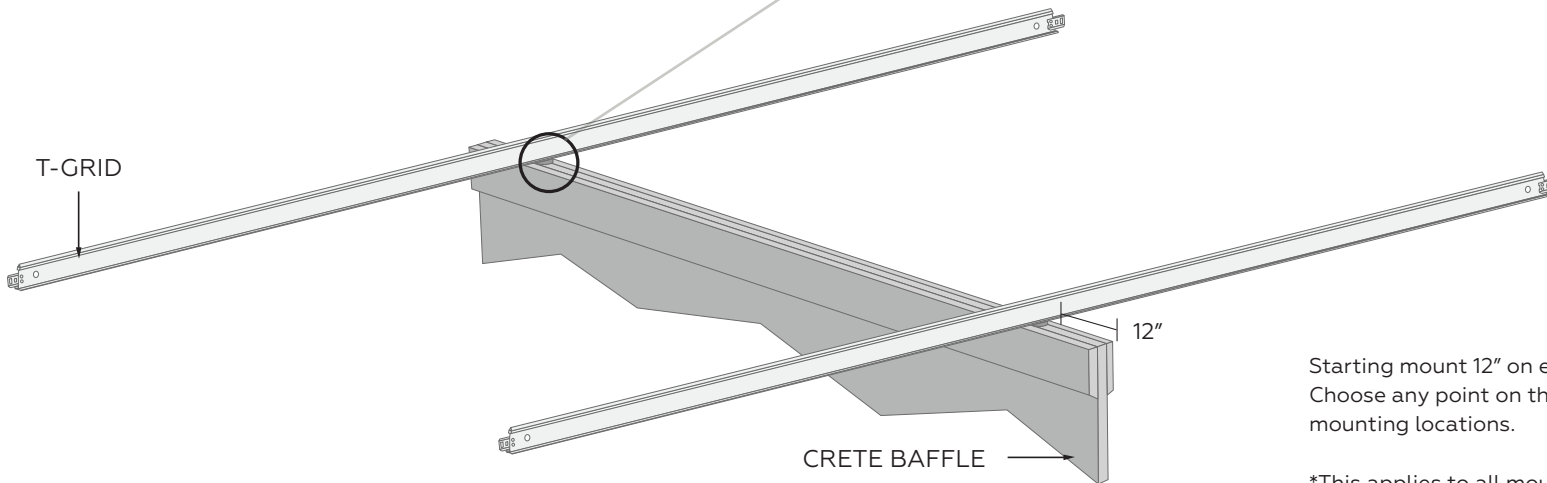
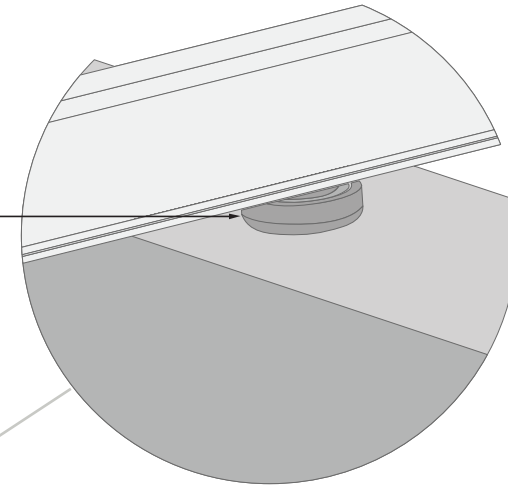
Crete is intended for "On Grid" or "T-Bar Ceiling" mounting and is to be installed with magnets, twist clips, or cable grippers. See details for each mounting option below.

### MAGNETS



### DETAIL

MAGNET  
HARDWARE TO  
ATTACH BAFFLE  
TO 15/16" T-GRID



Starting mount 12" on either side.  
Choose any point on the baffle for additional  
mounting locations.

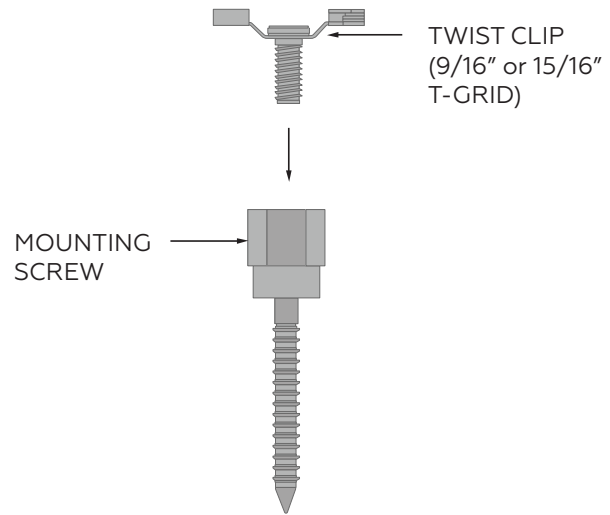
\*This applies to all mounting options



# PRODUCT INSTALLATION

## TWIST CLIPS

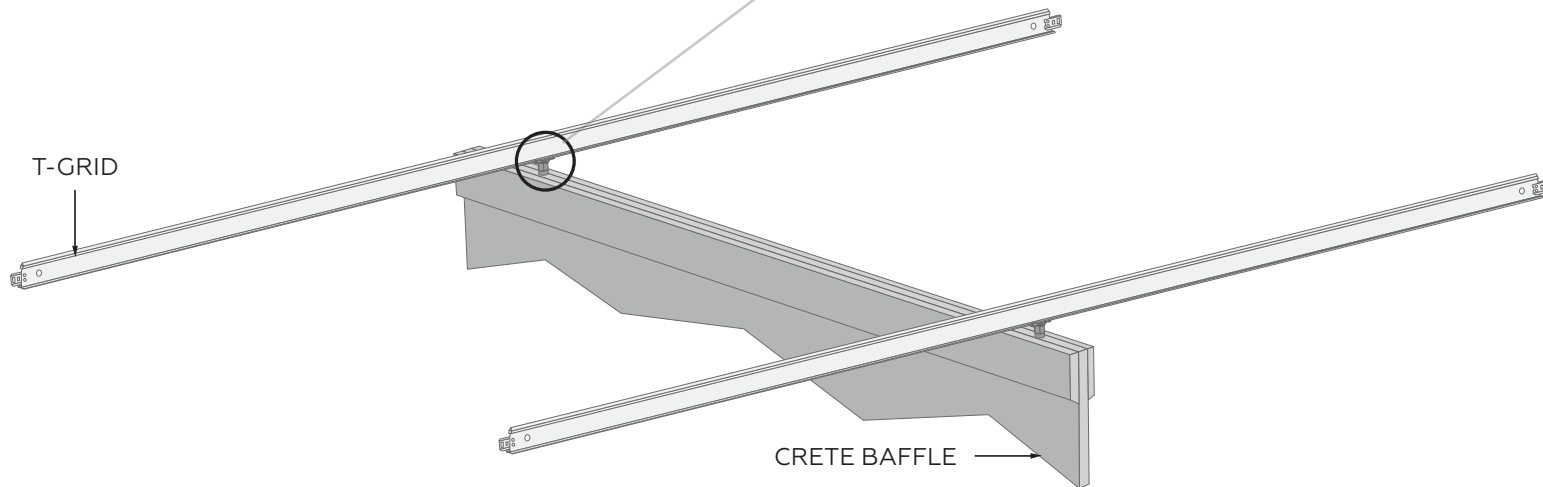
Compatible with 9/16" and 15/16" t-grids.



## DETAIL

HARDWARE TO  
ATTACH BAFFLE  
TO T-GRID

AVAILABLE FOR  
9/16" AND 15/16"  
T-GRIDS

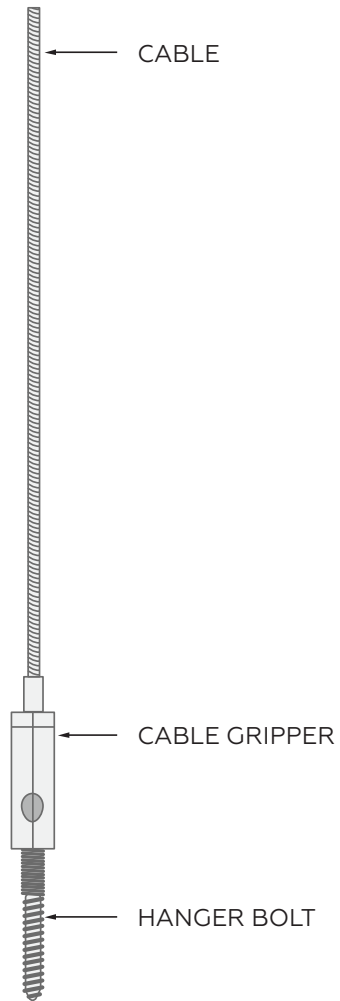






# PRODUCT INSTALLATION

## CABLE GRIPPERS



## DETAIL

