



COLLAIRE

felt wall

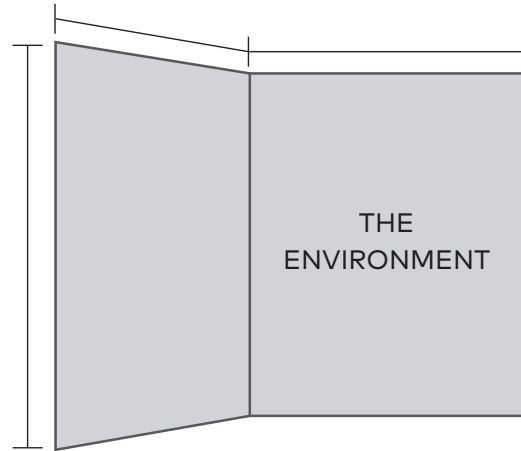




HOW TO SPECIFY

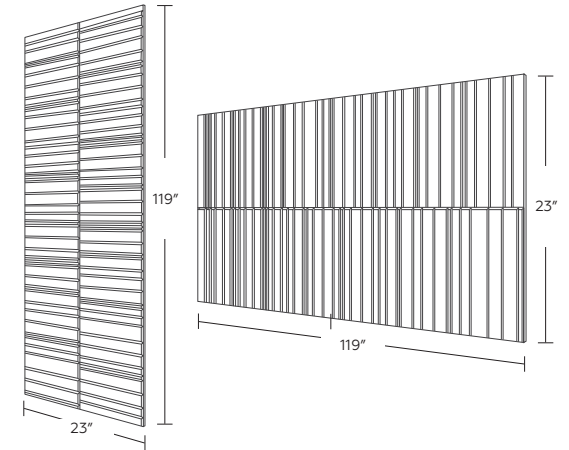
Collaire turns any wall into a blank canvas with total design flexibility. Specify an array of tiles within a space and form a pattern, or go floor to ceiling for a custom architectural wall-cladding look, while also providing acoustic performance.

01 SPECS



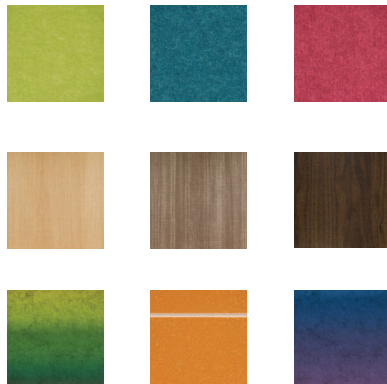
Tell us about your space, the design, and dimensions.

02 PATTERN ORIENTATION



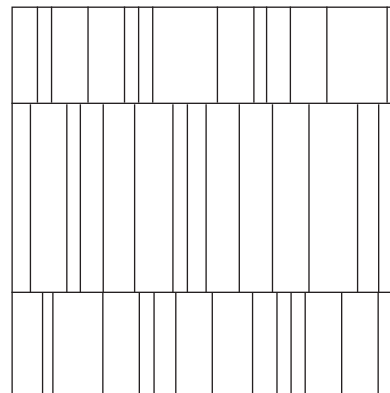
Do you need the Collaire pattern vertically or horizontally oriented?

03 COLORS



Standards. Woodgrains. Customs. What's your color? (See page 7)

04 MAKE IT YOUR OWN!



Customize your pattern

SHADES by MPS



Spec your own color, gradient, or woodgrain. (See page 7)

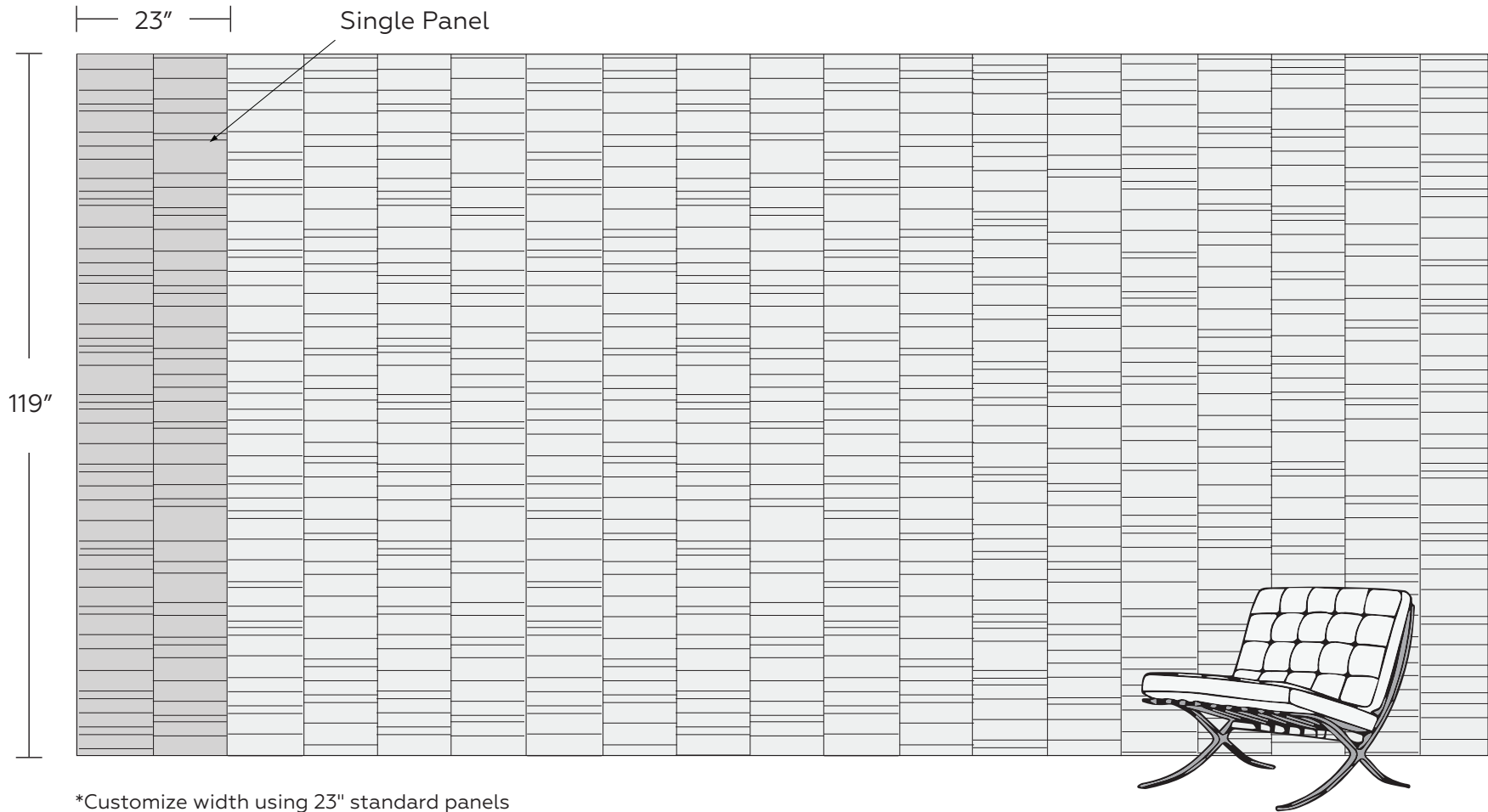


PRODUCT SPECIFICATIONS

STANDARD DIMENSIONS

Single Panel 23" x 119"

Felt Thickness 3/8"



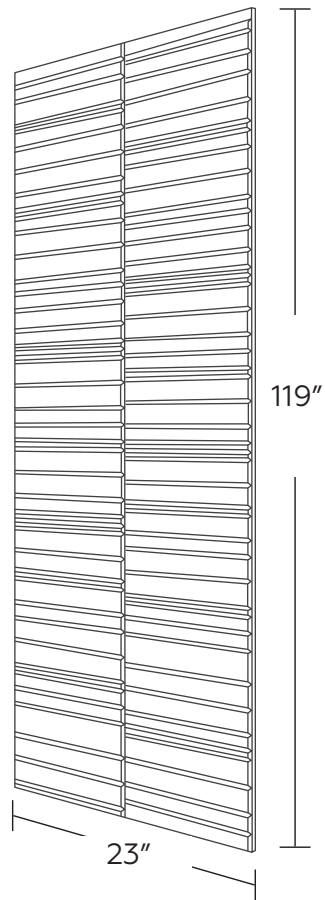


PRODUCT SPECIFICATIONS

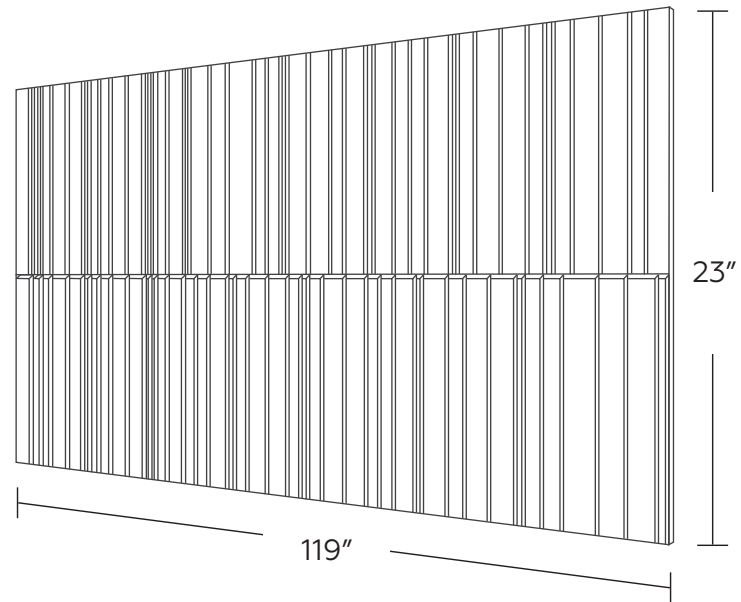
PATTERN ORIENTATION

Collaire comes in both vertical and horizontal pattern layouts.

VERTICAL PATTERN LAYOUT



HORIZONTAL PATTERN LAYOUT





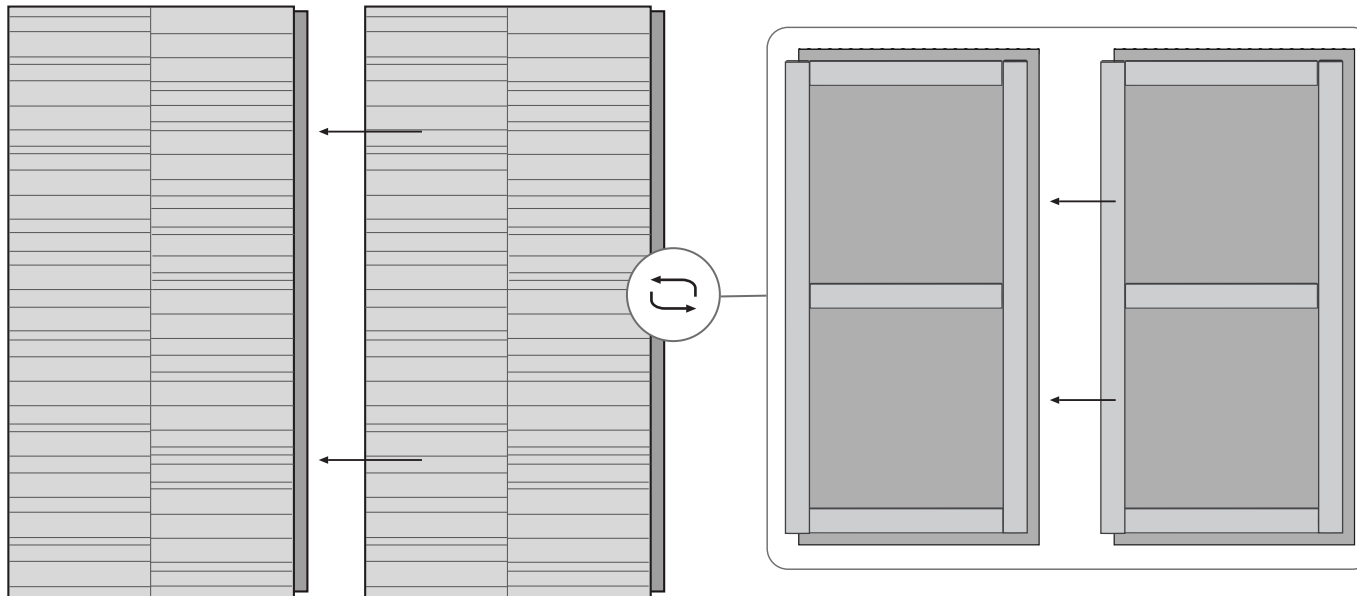
PRODUCT SPECIFICATIONS

CONNECTION

Standard Connection: Construction Adhesive
(provided by MPS)

Alternate Connection: Z-Clip
(Acoustic Enhancers Required)

"TONGUE & GROOVE" ACOUSTIC ENHANCER





TECHNICAL SPECIFICATIONS



Absorption

Standard: .32 NRC

(subject to mounting conditions)

Fire Rating

ASTM E84 Class A

Warranty

Two (2) Years

VOC

ASTM D5116 Compliant

Material

100% PET acoustic felt

Maintenance

Vacuum clean to remove dust and debris

Sustainability

Declare.

MPS 9mm Acoustic Panels
MPS LLC

Final Assembly: Trenton, Texas, USA
Life Expectancy: 50 Year(s)
End of Life Options: Salvageable/Reusable in its Entirety, Take Back Program (Trenton, TX), Recyclable (100%)

Ingredients:
MPS 9mm PET: Polyethylene Terephthalate

Living Building Challenge Criteria: Compliant

I-13 Red List:
 LBC Red List Free % Disclosed: 100% at 100ppm
 LBC Red List Approved VOC Content: Not Applicable
 Declared

I-10 Interior Performance: CDPH Standard Method v1.2-2017
I-14 Responsible Sourcing: Not Applicable

MPS-0001
EXP. 01 NOV 2025
Original Issue Date: 2022

MANUFACTURER RESPONSIBLE FOR LABEL ACCURACY
INTERNATIONAL LIVING FUTURE INSTITUTE™ living-future.org/declare





COLORS & WOODGRAINS

MPS offers a range of standard colors, woodgrains, and custom colors with SHADES.

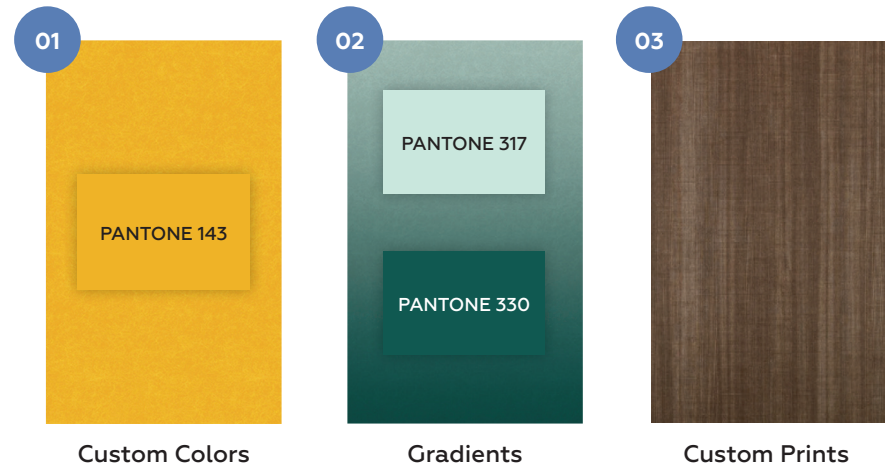
STANDARD COLORS



WOODGRAINS



SHADES by MPS



Your design world revolves around color, so don't be limited by standard colors and outdated palettes. SHADES offers Pantone options, full-color prints, and unique gradients. Flat or Heathered? Your choice.

*Some limitations apply. Consult your MPS acoustics expert to discuss your project.



MOUNTING OPTIONS

TOOLS REQUIRED



Cutting tool



Steel straightedge



Drill



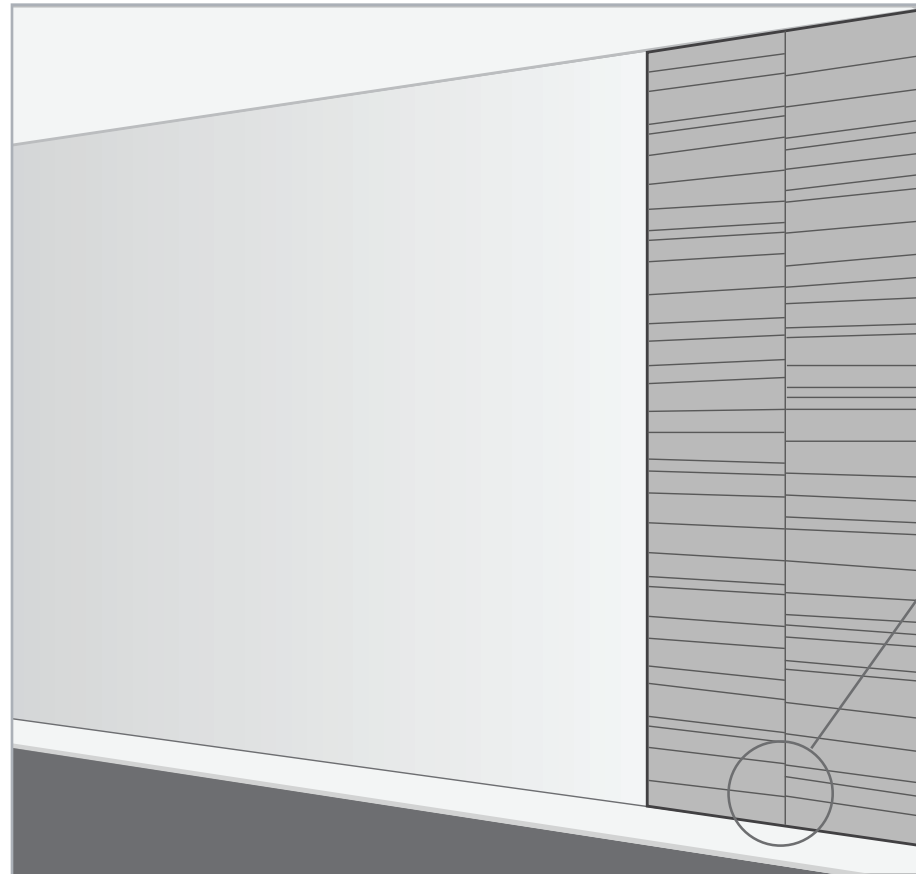
Hole saw



Construction adhesive

DRY FIT

Before applying adhesive, dry fit the first panel to the wall.

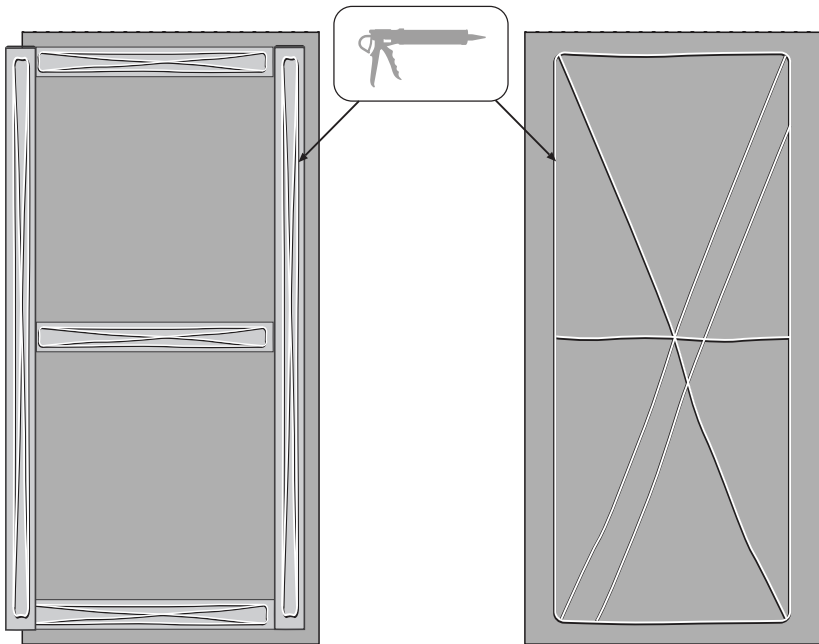


Note: to avoid irregularity, we recommend applying to the top of a baseboard.



MOUNTING OPTIONS

APPLY CONSTRUCTION ADHESIVE (RECOMMENDED)

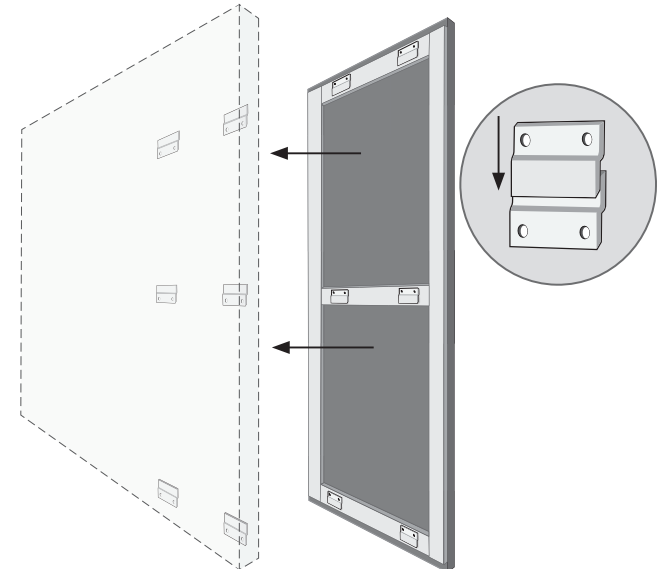


With acoustic enhancers

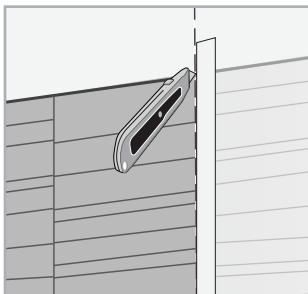
Without acoustic enhancers

HOOK Z-CLIPS (ALTERNATIVE)

Determine the desired position of z-clips and screw them into the back of the panel.

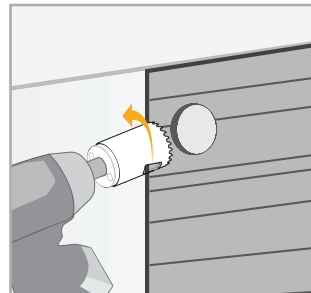


TRIM AS REQUIRED



Trim panels along the end to fit using a straight edge and cutting tool.

TRIMMING HOLES



When cutting a circular hole use a hole saw, and run it backwards to minimize pulling.