



DECO

felt wall



INSTALLATION GUIDELINES

TOOLS REQUIRED



Cutting tool



Steel straightedge



Drill



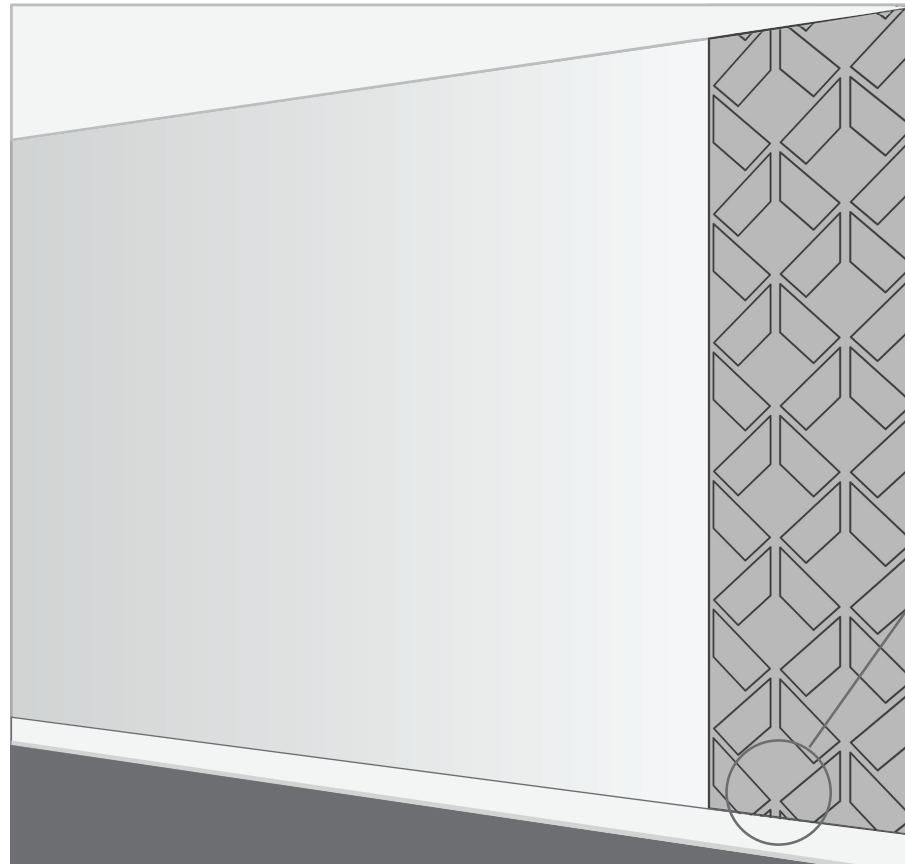
Hole saw



Construction adhesive

DRY FIT

Before applying adhesive, dry fit the first panel to the wall.

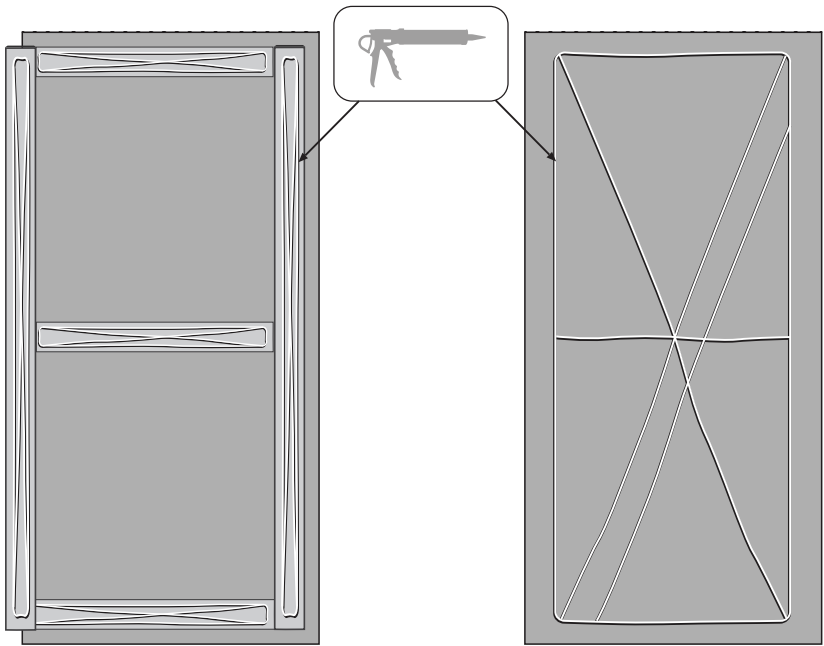


Note: to avoid irregularity, we recommend applying to the top of a baseboard.



INSTALLATION GUIDELINES

APPLY CONSTRUCTION ADHESIVE (RECOMMENDED)

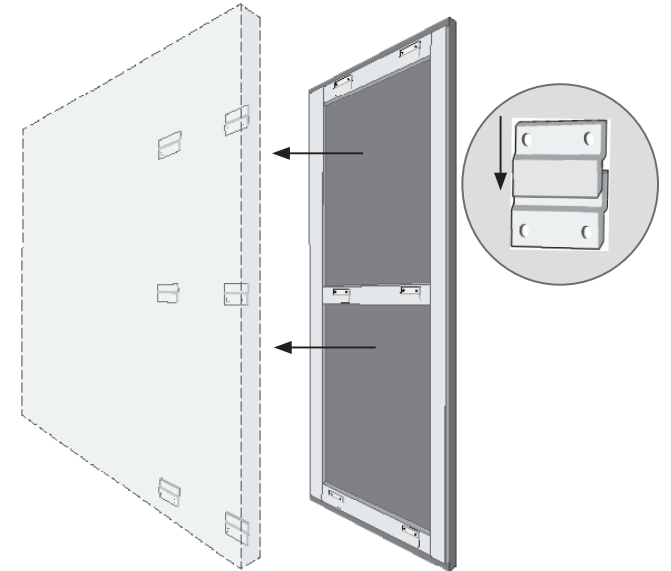


With acoustic enhancers

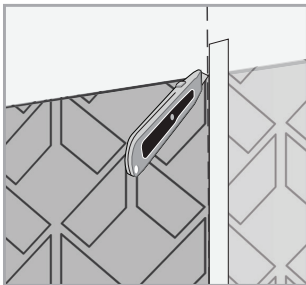
Without acoustic enhancers

HOOK Z-CLIPS (ALTERNATIVE)

Determine the desired position of z-clips and screw them into the back of the panel.

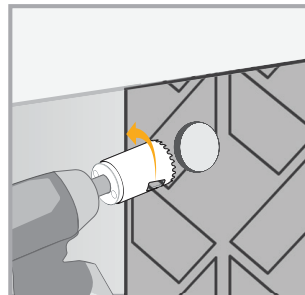


TRIM AS REQUIRED



Trim panels along the end to fit using a straight edge and cutting tool.

TRIMMING HOLES



When cutting a circular hole use a hole saw, and run it backwards to minimize pulling.