



CREEP





THE WALLS & CEILINGS ARE YOUR CANVAS

Creep provides a uniquely effective wall panel and baffle design with a low-profile aesthetic.

The orientation of this unique acoustic system can be configured vertically, horizontally or in virtually any custom design layout. Creep is available in 30 standard colors and prints, as well as custom colors.

STANDARD DIMENSIONS

Large

3"D x 48"L x 3.25"W

3"D x 72"L x 3.25"W

3"D x 96"L x 3.25"W

Small

3"D x 48"L x 2.13"W

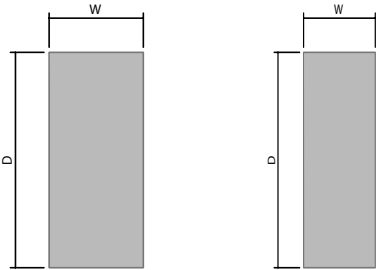
3"D x 72"L x 2.13"W

3"D x 96"L x 2.13"W

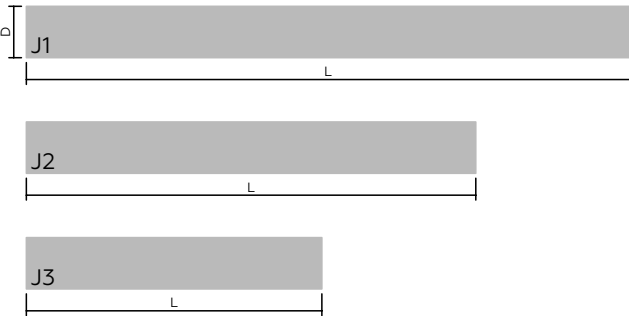
Custom sizes also available

PRODUCT SPECIFICATIONS

SECTION

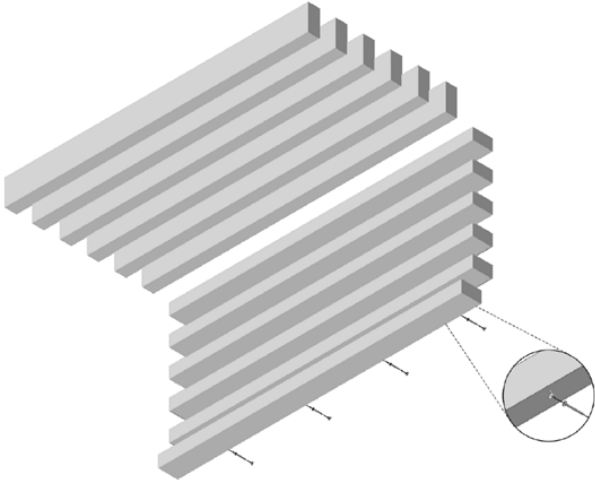


ELEVATION

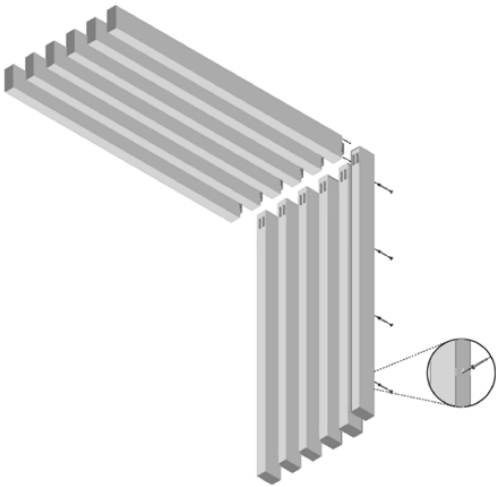


INSTALLATION

HORIZONTAL



VERTICAL



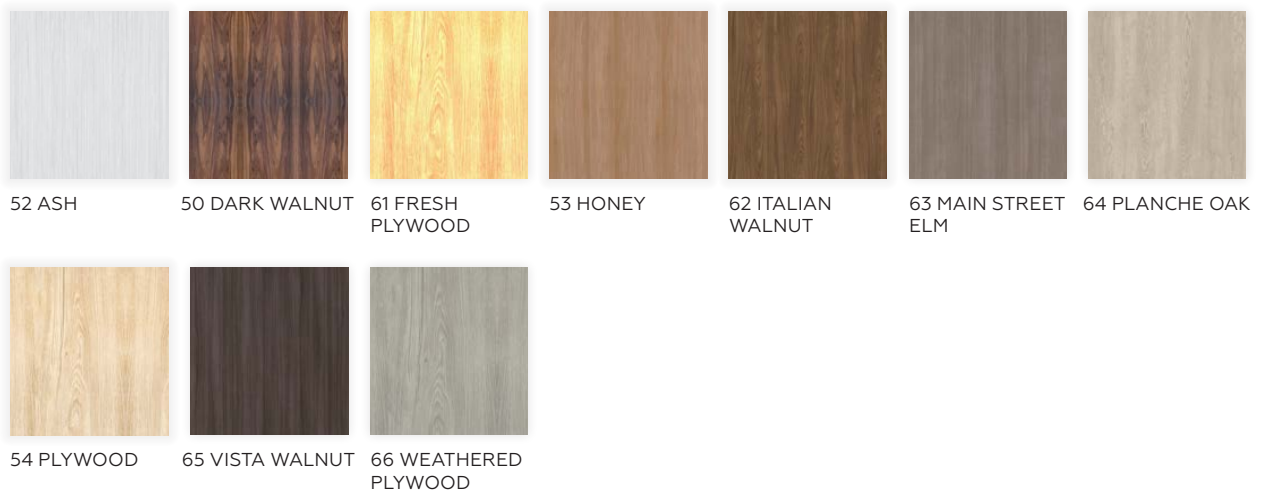


MPS offers a range of standard colors, plus any Pantone color, and custom color matching.



Go ahead, design in full color.
Any shade you want.

SHADES by 



TECHNICAL SPECIFICATIONS

Absorption

Average NRC 1.4.
(subject to thickness and mounting conditions)

Material

100% polyester fiber acoustic felt.

Eco-Friendly

Yes! 60% recycled PET materials, 40% new material, non-toxic, non-allergenic, non-irritant, no coatings or sprays which degrade over time.

Fire Rating

ASTM E84 Class A Fire Spread rating is permanently achieved by infusing 40% new material into the panel. MPS never uses sprays or coatings that degrade and lose their rating status.

Sustainability

Declare.

9mm Acoustic Panels
MPS LLC

Final Assembly: Trenton, Texas, USA
Life Expectancy: 50 Year(s)
End of Life Options: Salvageable/Reusable in its Entirety, Take Back Program (Trenton, TX), Recyclable (100%)

Ingredients:
Polyethylene Terephthalate

Living Building Challenge Criteria: Compliant

I-13 Red List:
■ LBC Red List Free % Disclosed: 100% at 100ppm
□ LBC Red List Approved VOC Content: Not Applicable
□ Declared

I-10 Interior Performance: CDPH Standard Method v1.2-2017
I-14 Responsible Sourcing: Not Applicable

MPS-0001
EXP. 01 OCT 2023
Original Issue Date: 2022

MANUFACTURER RESPONSIBLE FOR LABEL ACCURACY
INTERNATIONAL LIVING FUTURE INSTITUTE™ living-future.org/declare

