



## GRILLE





# MINIMALIST DESIGN MEETS ACOUSTIC PERFORMANCE

Grille acoustic ceiling baffles add definition and a 3-dimensional geometric element to the ceiling in any space!

Available in 20 standard colors as well as standard and custom dimensions.

Standard dimension:

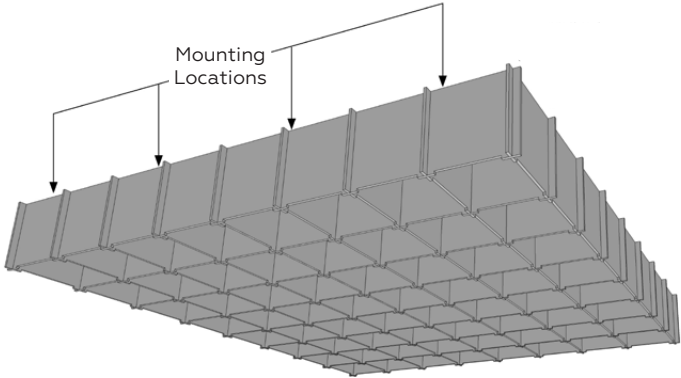
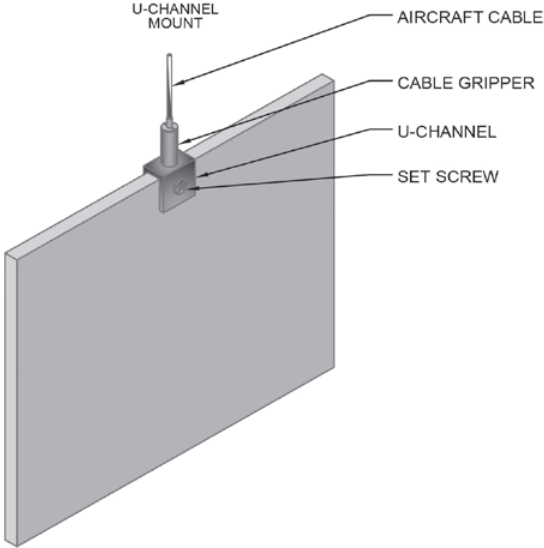
- 7'10"L x 7'10"x8"W

# PRODUCT SPECIFICATIONS

## PROFILE



## INSTALLATION





MPS offers a range of standard colors, plus any Pantone color, and custom color matching.



Go ahead, design in full color.  
Any shade you want.

SHADES by



# TECHNICAL SPECIFICATIONS

## Absorption

Average NRC 0.85.  
(subject to thickness and mounting conditions)

## Material

100% polyester fiber acoustic felt.

## Eco-Friendly

Yes! 60% recycled PET materials, 40% new material, non-toxic, non-allergenic, non-irritant, no coatings or sprays which degrade over time.

## Fire Rating

ASTM E84 Class A Fire Spread rating is permanently achieved by infusing 40% new material into the panel. MPS never uses sprays or coatings that degrade and lose their rating status.

## Sustainability

**Declare.**

**9mm Acoustic Panels**  
**MPS LLC**

**Final Assembly:** Trenton, Texas, USA  
**Life Expectancy:** 50 Year(s)  
**End of Life Options:** Salvageable/Reusable in its Entirety, Take Back Program (Trenton, TX), Recyclable (100%)

**Ingredients:**  
Polyethylene Terephthalate

**Living Building Challenge Criteria:** Compliant

**I-13 Red List:**  
■ LBC Red List Free      % Disclosed: 100% at 100ppm  
□ LBC Red List Approved      VOC Content: Not Applicable  
□ Declared

**I-10 Interior Performance:** CDPH Standard Method v1.2-2017  
**I-14 Responsible Sourcing:** Not Applicable

MPS-0001  
EXP. 01 OCT 2023  
Original Issue Date: 2022

MANUFACTURER RESPONSIBLE FOR LABEL ACCURACY  
INTERNATIONAL LIVING FUTURE INSTITUTE™ [living-future.org/declare](http://living-future.org/declare)

