

# VA-SPK INSTALLATION GUIDE

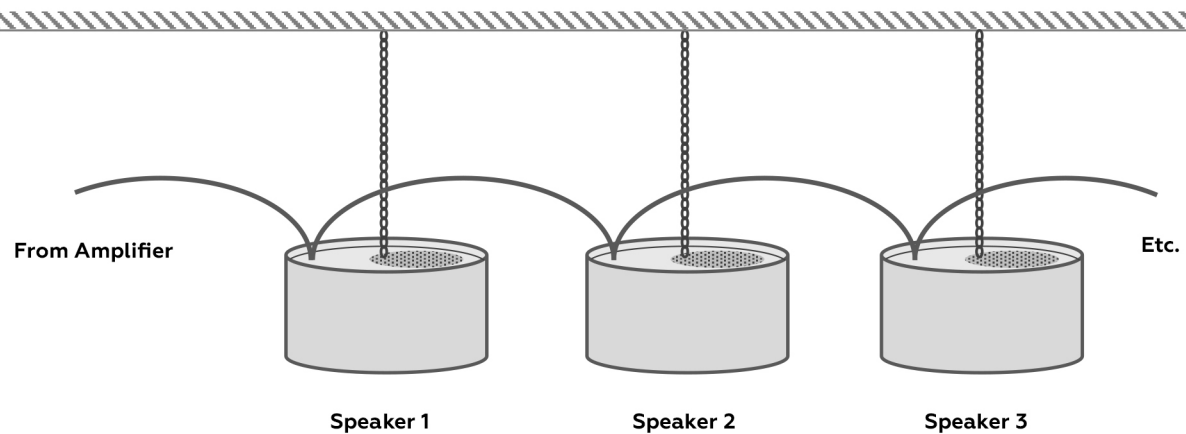


VoiceArrest Speaker



## 1 Overview

The VA-SPK loudspeaker is designed to generate the optimum masking sound for a variety of ceiling conditions. It's typically used in open ceiling configuration but it can also be installed in the plenum space, suspended between the acoustical tiles and the deck.

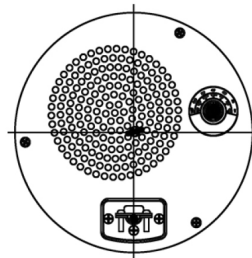
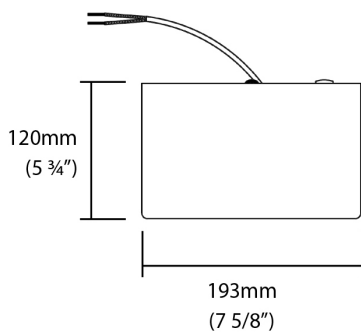


## Table of Contents

1 Overview.....	1
2 Specifications .....	2
3 Installation .....	3
3.1 Safety Instructions .....	3
3.2 Connecting the Speaker .....	4
3.3 Securing the Speaker .....	6
3.4 Setting the Tap .....	6

## 2 Specifications

Specifications	
Power	10W
Line Voltage	25 V / 70 V
Sensitivity	92 dB
Enclosure Material	Painted 19 gauge steel
Frequency Response	100 Hz to 10 kHz
Connectors	120 mm (4 ¾") wire lead
Driver	13 cm (5") full range
Color	White or Black
Anchor Device	10 mm hook at the center
Seismic Security	3x 5mm holes on the top edge
Certification	UL 60065 / UL2043
Chicago CCEA approved	Yes – CCEA version available
Weight	1.9 kg (4.2 lbs)
Shipping Weight	2.3 kg (5.1 lbs)
Box Dimensions	26 x 26 x 15cm (10¼ x 10¼ x 6")



\*Tap speaker to 2W@25V

## 3 Installation

### 3.1 Safety Instructions

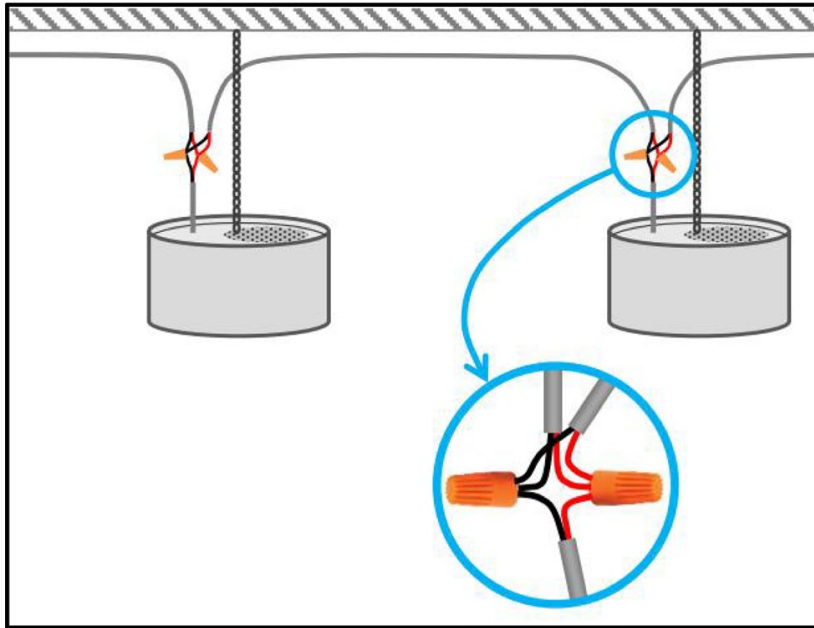
- Read and keep these instructions.
- Heed all warnings and follow all instructions contained within this manual.
- Install in accordance with the manufacturer's instructions.
- Clean only with dry cloth.
- Do not install near water.
- Do not block any ventilation openings.
- Do not install near any heat sources such as radiators, heat registers, stoves, or other apparatus (including amplifiers) that produce heat.
- Use the power cord with sealed mains plug appropriate for your local main supply as provided with the equipment. If the provided plug does not fit into your outlet contact the manufacturer.
- Protect the power cord from being walked on or pinched particularly at plugs, convenience receptacles, and the point where they exit from the apparatus.
- Only use attachments and accessories specified by the manufacturer.
- Refer all servicing to qualified service personnel. Servicing is required when the apparatus has been damaged in any way, such as when the power-supply cord or plug is damaged, liquid has been spilled or objects have fallen into the apparatus, the apparatus has been exposed to rain or moisture, does not operate normally, or has been dropped.
- Operate the product only with the voltage specified on the unit. Fire and/or electric shock may result if a higher voltage is used.
- Do not modify, kink, or cut the power cord. Do not place the power cord in close proximity to heaters and do not place heavy objects on the power cord and/or the product itself, doing so may result in fire or electrical shock.
- Be sure the installation of this product is stable, avoid slanted surfaces as the product may fall and cause injury, property damage, electrocution and/or fire.
- Do not open the cover.

## 3.2 Connecting the Speaker

Note: All wiring should be carried out with 2-conductor stranded copper wire. The wire calibre will usually be 18 AWG (To be specified by the designer of the installation).

### EXTERNAL CONNECTION:

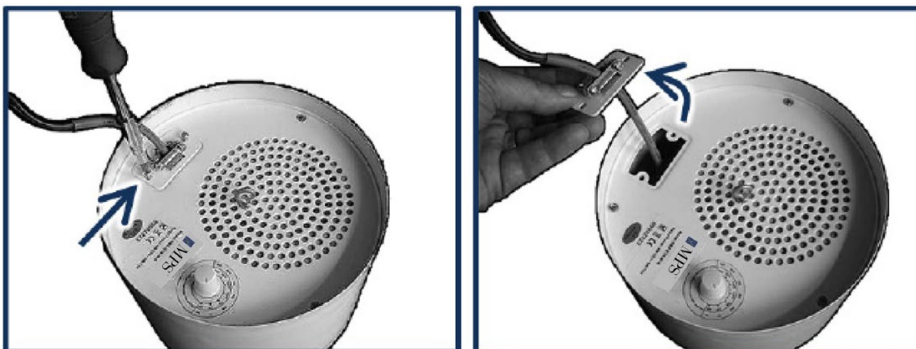
The speakers are connected in parallel, in a daisy-chain configuration. The most common way to do connections is to use twist-on connectors (not provided).



### INTERNAL CONNECTION:

If regulations requires an internal connection, it is possible to seal the connectors in the speaker enclosure:

1. Unscrew and remove the cable pass-through plate



2. Pass the power wire(s) through the wiring device. If required by the installation design, install the additional wire(s) that have to be connected to other speaker(s). Up to 2 additional wires can be connected to power other speakers.
3. Connect the power wire(s) to the speaker using twist-on connectors (not provided with the speaker).



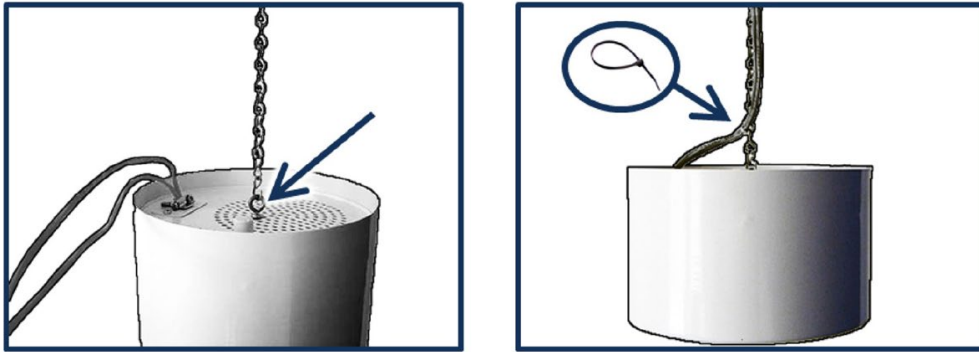
Note: Connect the red wires (+) together and black wires (-) together.

4. Secure the wires to the cable pass-through plate and insert the wires back in the speaker enclosure. Then screw the cable pass-through plate back on the speaker enclosure.



### 3.3 Securing the Speaker

Hang the speaker to the ceiling using a chain, a rod or any other appropriate device attached to the center hook of the speaker. Then fasten the cables along the chain using tie wraps.



### 3.4 Setting the Tap

The VA-SPK tap can be selected using the rotary switch to adjust the output level of each loudspeaker if required.

It is recommended to use the 0 dB position tap as a default setting with the VoiceArrest controllers.

Older models do not have a the “dB” labelling, use the 4W @ 25V tap as a default setting with the VoiceArrest controllers.

