



## NOTCH





# MINIMALIST DESIGN MEETS ACOUSTIC PERFORMANCE

Notch acoustic baffles incorporate an updated look and visual appeal while removing unwanted noise and echo from your space.

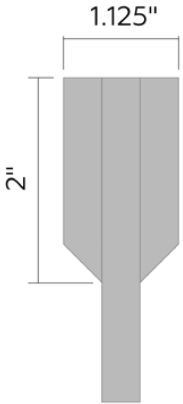
Available in 20 colors and six standard dimensions:

- 8"Hx48"L
- 8"Hx72"L
- 8"Hx96"L
- 12"Hx48"L
- 12"Hx72"L
- 12"Hx96"L
- Typical spacing 6" to 18"
- Custom sizes available.

# PRODUCT SPECIFICATIONS

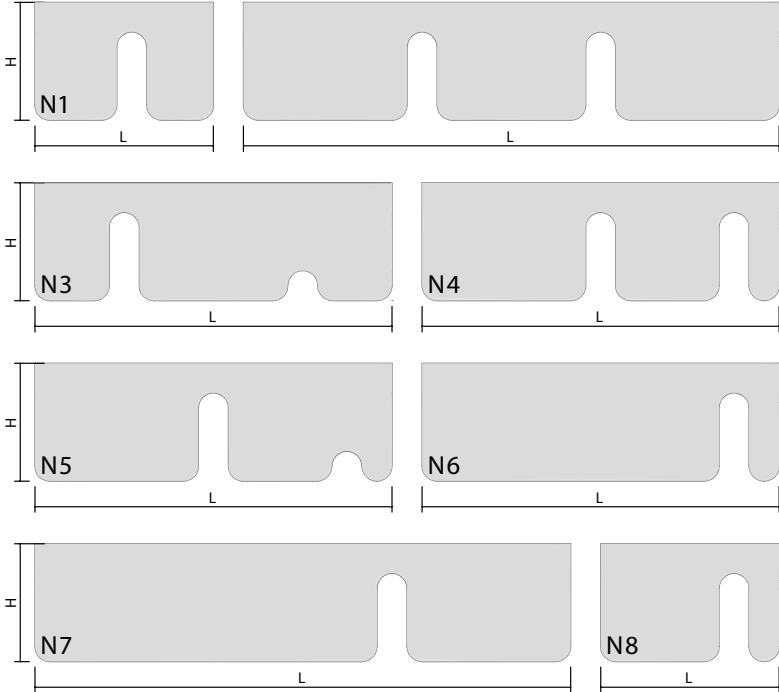
## PROFILE

U-Channel/Magnet Lock Mount

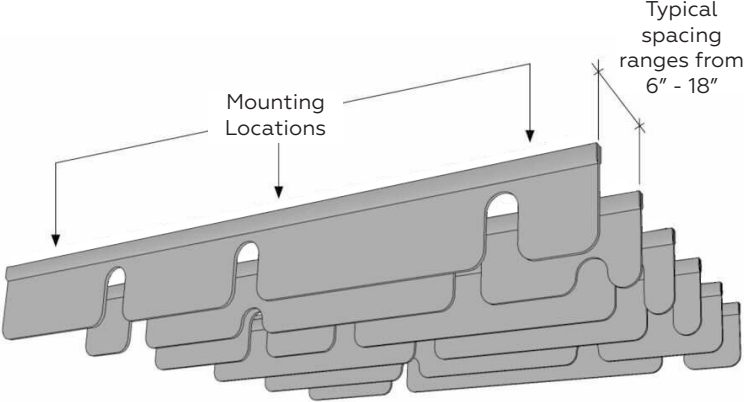


Custom design and configuration options

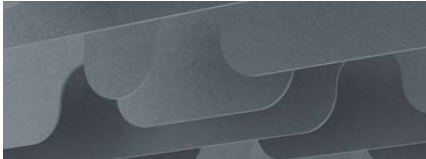
## ELEVATION



## INSTALLATION



Acoustic panel detail







Notch comes in 20 standard colors.



# TECHNICAL SPECIFICATIONS

## Absorption

Average NRC 0.85.  
(subject to thickness and mounting conditions)

## Material

100% polyester fiber acoustic felt.

## Eco-Friendly

Yes! 60% recycled PET materials, 40% new material, non-toxic, non-allergenic, non-irritant, no coatings or sprays which degrade over time.

## Fire Rating

ASTM E84 Class A Fire Spread rating is permanently achieved by infusing 40% new material into the panel. MPS never uses sprays or coatings that degrade and lose their rating status.

## MOUNTING OPTIONS

