



## NOTCH





# MINIMALIST DESIGN MEETS ACOUSTIC PERFORMANCE

Notch acoustic baffles incorporate an updated look and visual appeal while removing unwanted noise and echo from your space.

Available in 20 standard colors as well as standard and custom dimensions.

Standard dimensions:

- 8"Hx48"L
- 8"Hx72"L
- 8"Hx96"L
- 12"Hx48"L
- 12"Hx72"L
- 12"Hx96"L
- Typical spacing 6" to 18"

# PRODUCT SPECIFICATIONS

## PROFILE

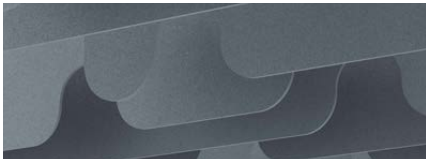
U-Channel/Magnet Lock Mount



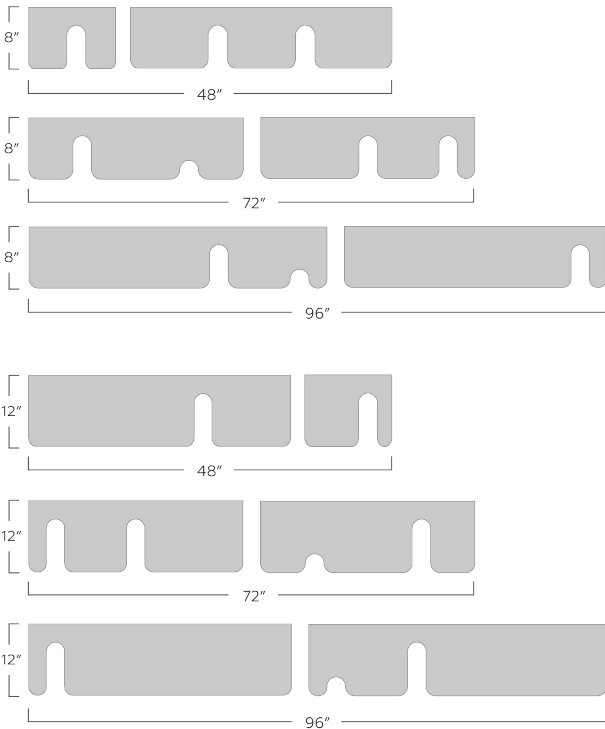
Custom design and configuration options



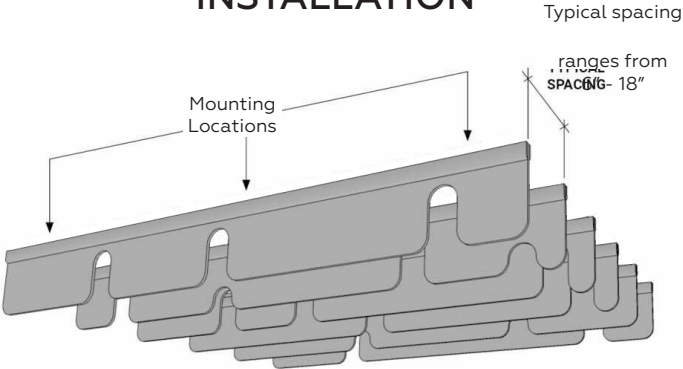
Acoustic panel detail



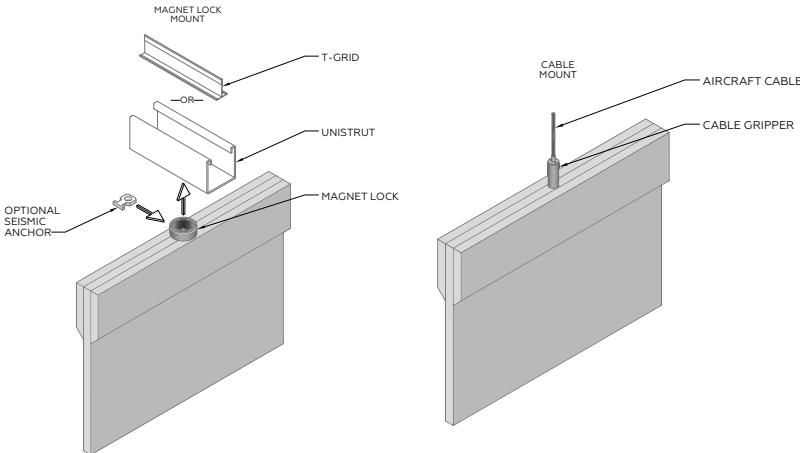
## ELEVATION



## INSTALLATION



## MOUNTING OPTIONS





MPS offers a range of standard colors, plus any Pantone color, and custom color matching.



Go ahead, design in full color.  
Any shade you want.

SHADES by



# TECHNICAL SPECIFICATIONS

## Absorption

Average NRC 0.85.  
(subject to thickness and mounting conditions)

## Material

100% polyester fiber acoustic felt.

## Eco-Friendly

Yes! 60% recycled PET materials, 40% new material, non-toxic, non-allergenic, non-irritant, no coatings or sprays which degrade over time.

## Fire Rating

ASTM E84 Class A Fire Spread rating is permanently achieved by infusing 40% new material into the panel. MPS never uses sprays or coatings that degrade and lose their rating status.

## Sustainability

**Declare.**

**9mm Acoustic Panels**  
**MPS LLC**

**Final Assembly:** Trenton, Texas, USA  
**Life Expectancy:** 50 Year(s)  
**End of Life Options:** Salvageable/Reusable in its Entirety, Take Back Program (Trenton, TX), Recyclable (100%)

**Ingredients:**  
Polyethylene Terephthalate

**Living Building Challenge Criteria:** Compliant

**I-13 Red List:**  
 LBC Red List Free      % Disclosed: 100% at 100ppm  
 LBC Red List Approved      VOC Content: Not Applicable  
 Declared

**I-10 Interior Performance:** CDPH Standard Method v1.2-2017  
**I-14 Responsible Sourcing:** Not Applicable

MPS-0001  
EXP. 01 OCT 2023  
Original Issue Date: 2022

MANUFACTURER RESPONSIBLE FOR LABEL ACCURACY  
INTERNATIONAL LIVING FUTURE INSTITUTE™ [living-future.org/declare](http://living-future.org/declare)

