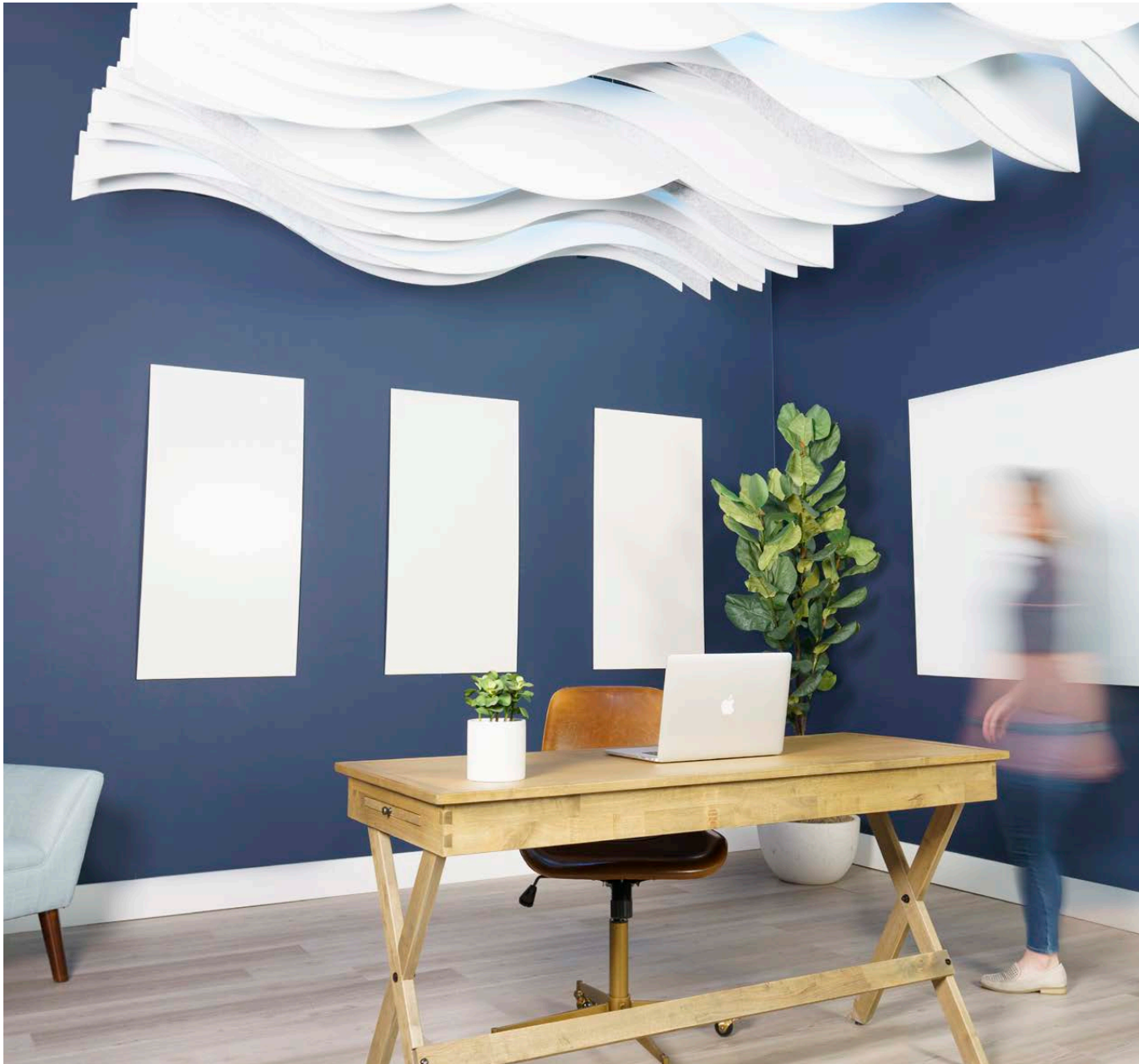




LONDE





MINIMALIST DESIGN MEETS ACOUSTIC PERFORMANCE

Londe beautifully breaks up the straight lines of most open ceilings, adding movement and color that improves both the aesthetics and acoustics of your space!

Available in 20 standard colors as well as standard and custom dimensions.

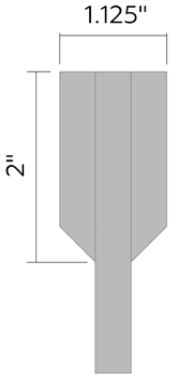
Standard dimensions:

- 8"Hx48"L
- 8"Hx72"L
- 8"Hx96"L
- 12"Hx48"L
- 12"Hx72"L
- 12"Hx96"L
- Typical spacing 6" to 18"

PRODUCT SPECIFICATIONS

PROFILE

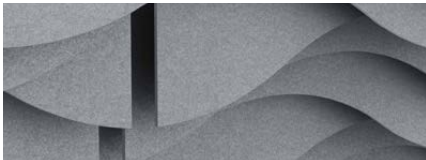
U-Channel/Magnet Lock Mount



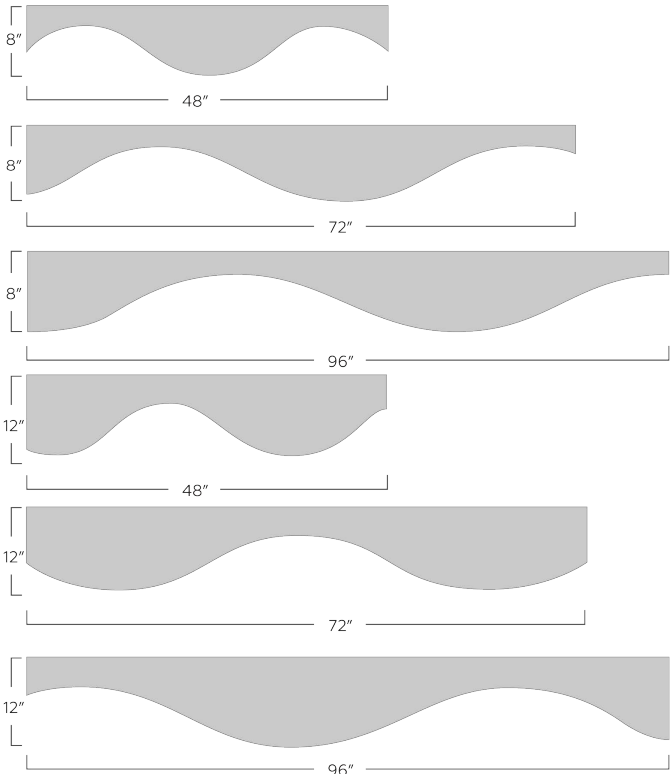
Custom design and configuration options



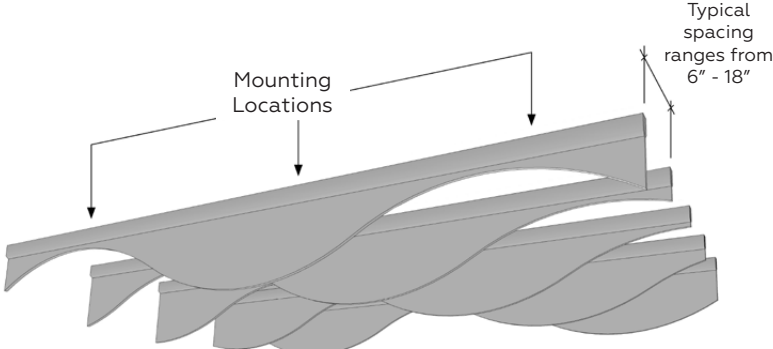
Acoustic panel detail



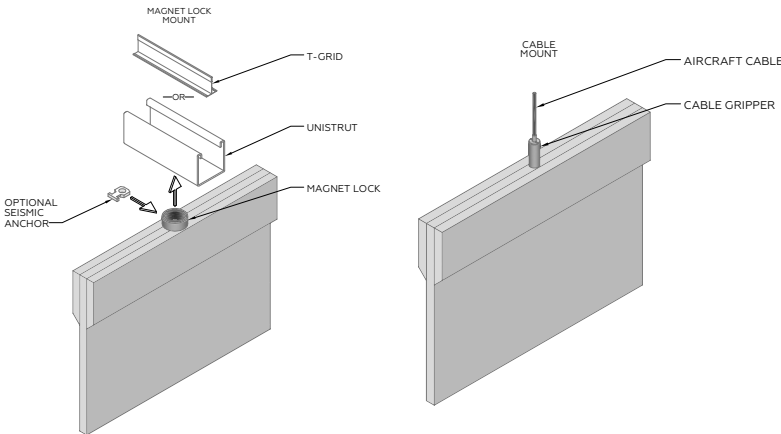
ELEVATION



INSTALLATION



MOUNTING OPTIONS





MPS offers a range of standard colors, plus any Pantone color, and custom color matching.



Go ahead, design in full color.
Any shade you want.

SHADES by



TECHNICAL SPECIFICATIONS

Absorption

Average NRC 0.85.
(subject to thickness and mounting conditions)

Material

100% polyester fiber acoustic felt.

Eco-Friendly

Yes! 60% recycled PET materials, 40% new material, non-toxic, non-allergenic, non-irritant, no coatings or sprays which degrade over time.

Fire Rating

ASTM E84 Class A Fire Spread rating is permanently achieved by infusing 40% new material into the panel. MPS never uses sprays or coatings that degrade and lose their rating status.

Sustainability

Declare.

9mm Acoustic Panels
MPS LLC

Final Assembly: Trenton, Texas, USA
Life Expectancy: 50 Year(s)
End of Life Options: Salvageable/Reusable in its Entirety, Take Back Program (Trenton, TX), Recyclable (100%)

Ingredients:
Polyethylene Terephthalate

Living Building Challenge Criteria: Compliant

I-13 Red List:
 LBC Red List Free % Disclosed: 100% at 100ppm
 LBC Red List Approved VOC Content: Not Applicable
 Declared

I-10 Interior Performance: CDPH Standard Method v1.2-2017
I-14 Responsible Sourcing: Not Applicable

MPS-0001
EXP. 01 OCT 2023
Original Issue Date: 2022

MANUFACTURER RESPONSIBLE FOR LABEL ACCURACY
INTERNATIONAL LIVING FUTURE INSTITUTE™ living-future.org/declare

