



FUSE





MINIMAL DESIGN MEETS ACOUSTIC PERFORMANCE

Fuse provides a uniquely effective baffle design with a low-profile aesthetic, designed especially for spaces with low, hard ceilings where standard baffles or clouds aren't an option.

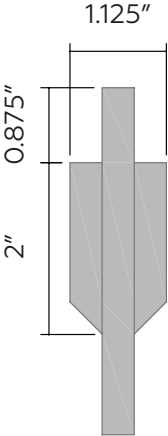
Available in 20 colors and three standard dimensions:

- 48"Lx7"Hx2.75"W
- 72"Lx7"Hx2.75"W
- 96"Lx7"Hx2.75"W
- Typical spacing 6" to 18"
- Custom sizes available.

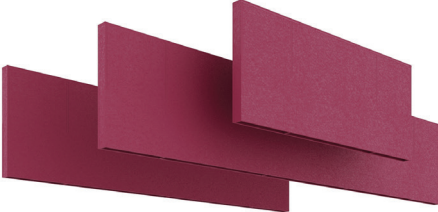
PRODUCT SPECIFICATIONS

PROFILE

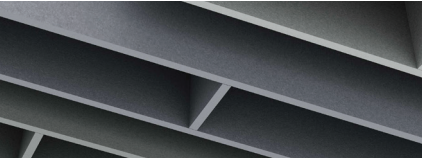
U-Channel/Magnet Lock Mount



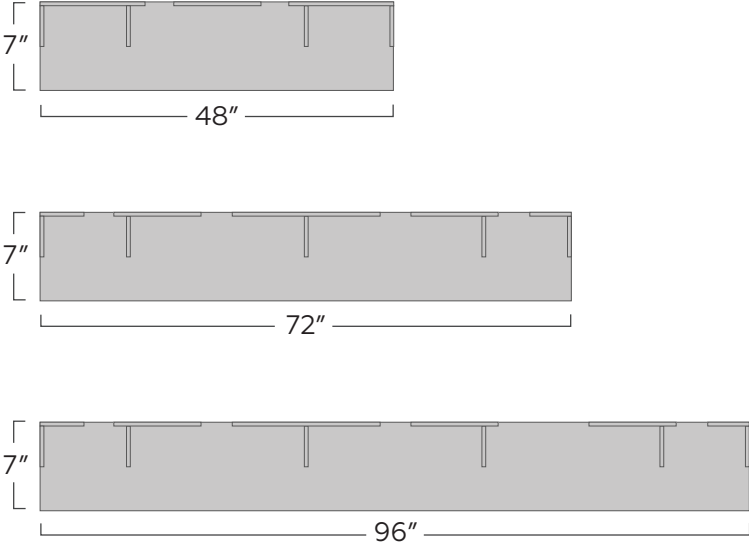
Custom design and configuration options



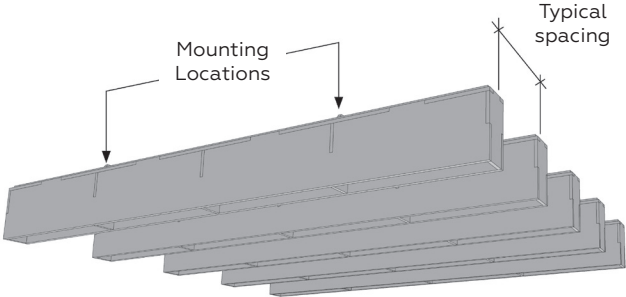
Acoustic panel detail



ELEVATION



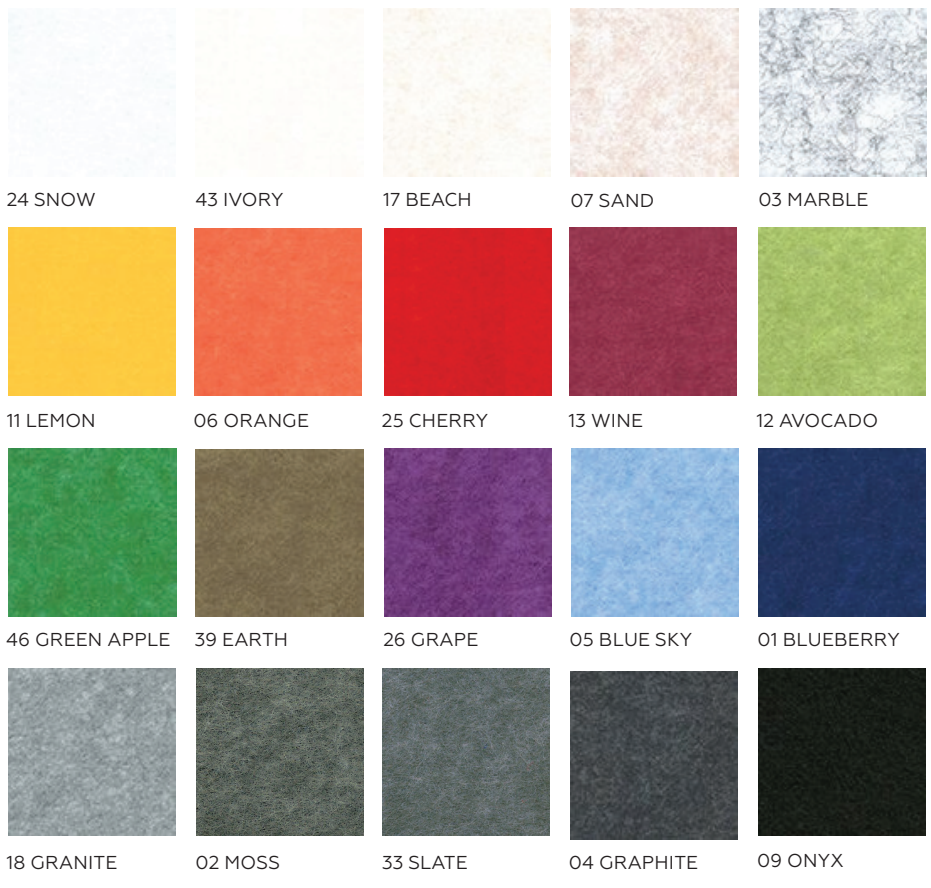
INSTALLATION





1 Londe Baffles
a Wide Shots - Landscape *Portrait

20 standard colors. Custom options available.



TECHNICAL SPECIFICATIONS

Absorption

Average NRC 0.85.

(subject to thickness and mounting conditions)

Material

100% polyester fiber acoustic felt.

Eco-Friendly

Yes! 60% recycled PET materials, 40% new material, non-toxic, non-allergenic, non-irritant, no coatings or sprays which degrade over time.

Fire Rating

ASTM E84 Class A Fire Spread rating is permanently achieved by infusing 40% new material into the panel. MPS never uses sprays or coatings that degrade and lose their rating status.

MOUNTING OPTIONS

