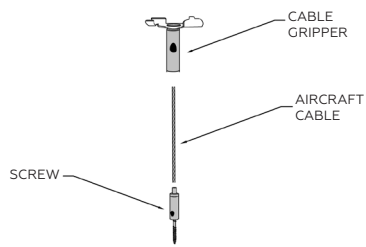




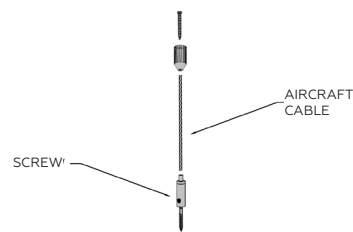
INSTALLATION GUIDELINES CEILING BAFFLES

Verify that the top ceiling structures are strong enough to take the weight of the panels being installed. All installation must be done in accordance with local building codes and with proper hardware and protective gear to ensure safety. Verify that all components are properly tightened at the end of each installation.

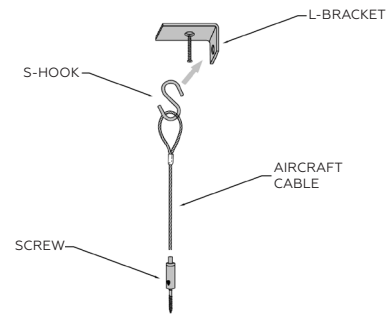
Drop Ceiling



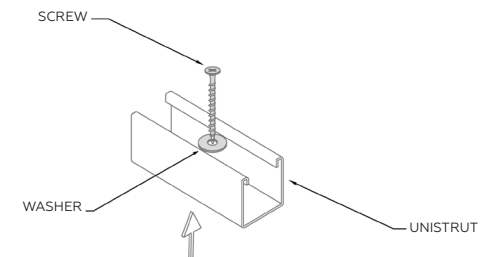
Decorative Hard Ceiling



Hard Ceiling



Direct-to-Unistrut Mount



INSTALLATION

How to Install Lag Screw in Baffle

