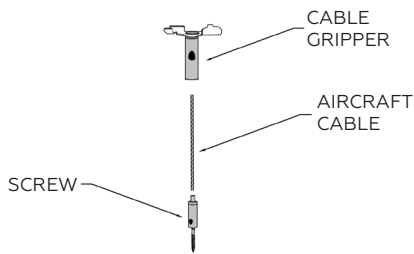


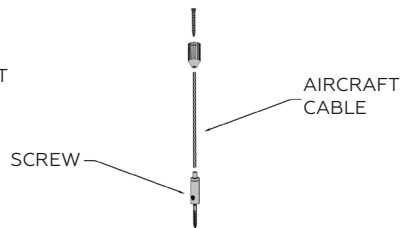
INSTALLATION GUIDELINES CEILING BAFFLES

Installation on Different Ceiling Types

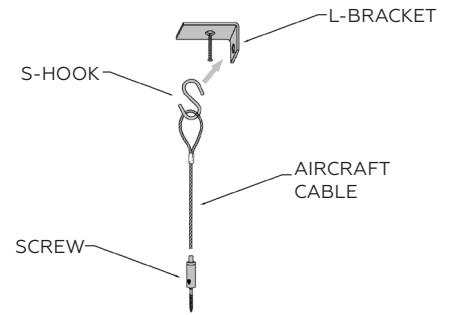
Drop Ceiling



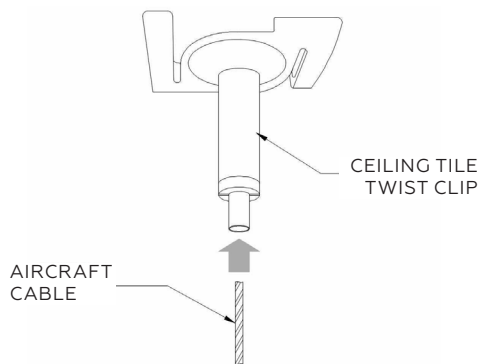
Decorative Hard Ceiling



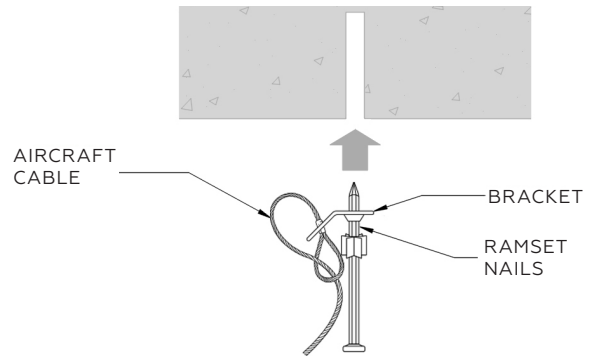
Hard Ceiling



Ceiling Tile



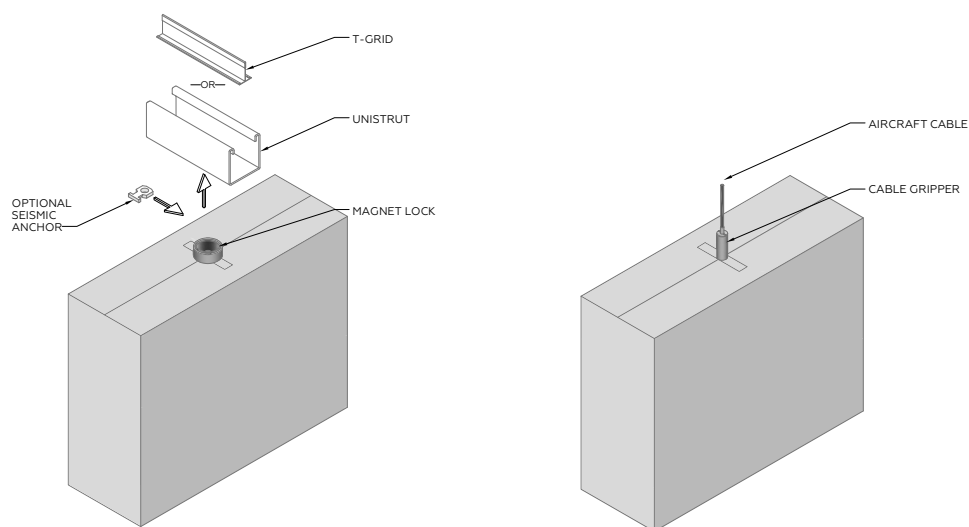
Concrete with Ramset



INSTALLATION

It is essential to check that the top ceiling structures are strong enough to take the weight of the panels being installed. All installation must be done in accordance with local building codes and with proper hardware and protective gear to ensure safety. Verify that all components are properly tightened at the end of each installation.

Joist Baffle



Fuse 3D Baffle

