

VA-SURF4 IN-CEILING SOUND MASKING SPEAKER USER GUIDE



VoiceArrest Speaker

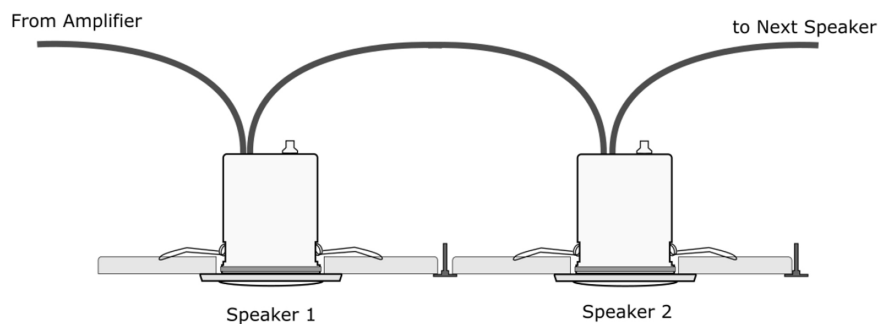
Content

1 Overview	1
2 Specifications	2
3 Installation	3
3.1 Safety Instructions.....	3
3.2 Connecting the Speaker	4
3.3 Securing the Speaker	4

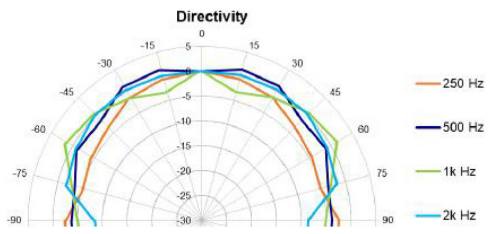
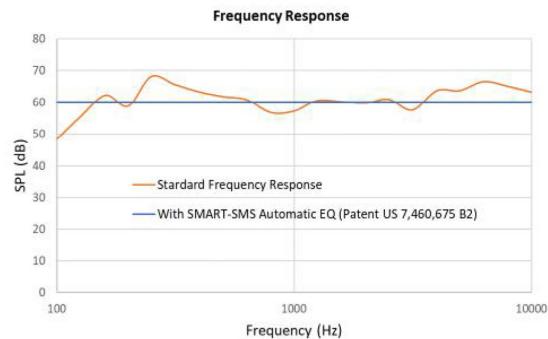
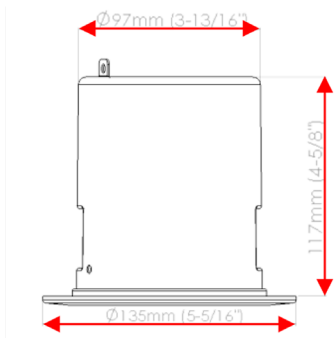
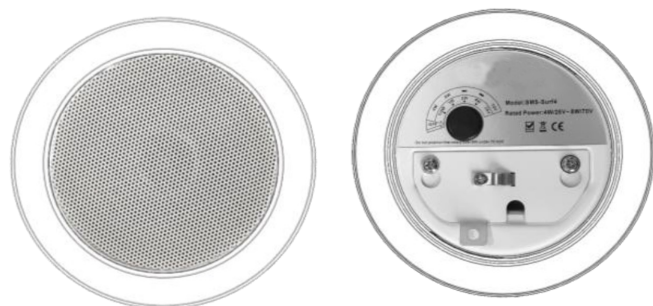


1 Overview

The VA-SURF4 is a small-footprint sound masking and paging speaker designed for surface-mounted applications on ceiling tiles or drywall ceiling. The VA-SURF4 can be powered by a constant voltage amplifier unit of 25 or 70 Volts. The speakers can be connected in daisy chains.



Specifications	
Max Power	10W
Sensitivity	87 dB
Enclosure Material	Steel
Frequency Response	100 Hz to 10 kHz
Connector	Screw Terminal Block
Output Power Selection	4w, 2W, 1W, 1/2W
Driver	9,5 cm (4") full range
Certification	UL 60065 / UL 2043
Color	White (RAL9016)
Weight	1.2 kg (2.6 lbs)
Shipping Weight	1.6 kg (3.5 lbs)
Box Dimensions	17 x 17 x 18 cm (6¾" x 6¾" x 7")
Attachment	2 Spring
Recommended hole size	100mm (4")



3 Installation

3.1 Safety Instructions

- Read and keep these instructions.
- Heed all warnings and follow all instructions contained within this manual.
- Install in accordance with the manufacturer's instructions.
- Clean only with dry cloth.
- Do not install near water.
- Do not block any ventilation openings.
- Do not install near any heat sources such as radiators, heat registers, stoves, or other apparatus (including amplifiers) that produce heat.
- Use the power cord with sealed mains plug appropriate for your local main supply as provided with the equipment. If the provided plug does not fit into you outlet contact the manufacturer.
- Protect the power cord from being walked on or pinched particularly at plugs, convenience receptacles, and the point where they exit from the apparatus.
- Only use attachments and accessories specified by the manufacturer.
- Refer all servicing to qualified service personnel. Servicing is required when the apparatus has been damaged in any way, such as when the power-supply cord or plug is damaged, liquid has been spilled or objects have fallen into the apparatus, the apparatus has been exposed to rain or moisture, does not operate normally, or has been dropped.
- Operate the product only with the voltage specified on the unit. Fire and/or electric shock may result if a higher voltage is used.
- Do not modify, kink, or cut the power cord. Do not place the power cord in close proximity to heaters and do not place heavy objects on the power cord and/or the product itself, doing so may result in fire or electrical shock.
- Be sure the installation of this product is stable, avoid slanted surfaces as the product may fall and cause injury, property damage, electrocution and/or fire.
- Do not open the cover.

3.2 Connecting the Speaker

1) Unscrew and remove the cable pass-through plate



2) Pass the power wire(s) through the wire guide lock and connect the wires in the green terminal block.



Note: All wiring should be carried out with 2-conductor stranded copper wire. Typical wire will be 18/2 FT4.

3.3 Securing the Speaker

1) Cut a hole in the ceiling tiles or drywall ceiling. The diameter of the hole is 115 mm (or 4½ inches). For best results, use a hole-saw. Make sure there are no obstacles behind the hole and that there is enough clearance for the back of the speaker.



Note: The VA-SURF4 can be installed on suspended ceiling tiles or on drywall ceiling. The maximum thickness of the tile or drywall is approximately 32 mm (or 1¼ inches).

2) Insert the speaker in the hole (diameter is 115 mm, or 4.5 inches). Hold the flaps springs during the insertion. The flaps will hold the speaker in place. Warning! The springs are stiff and may pinch fingers!



Note: If the local regulations require an anchor, use the small ring on the back of the speaker to hang a safety chain.

