

# VA-DIRECT USER GUIDE



## VoiceArrest Speaker

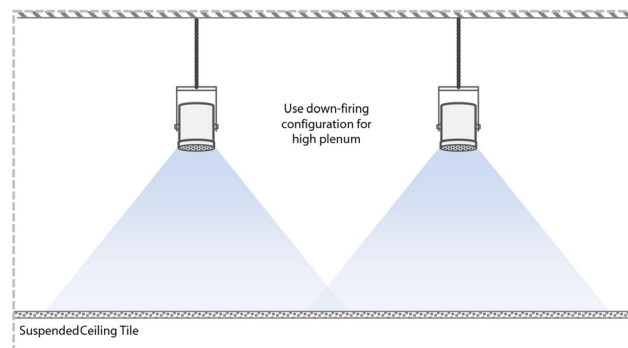
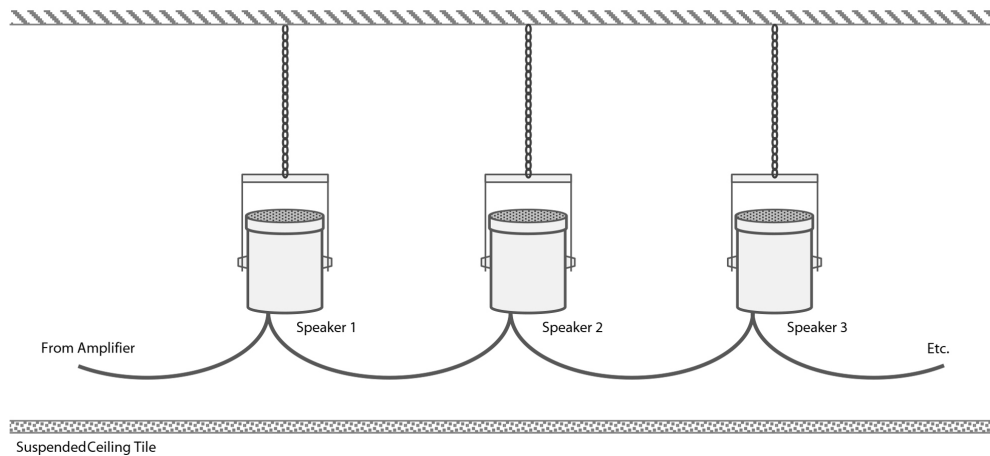
### Content

1 Overview .....	1
2 Specifications .....	2
3 Installation .....	3
3.1 Safety Instructions.....	3
3.2 Connecting the Speaker .....	4
3.3 Securing the Speaker .....	4

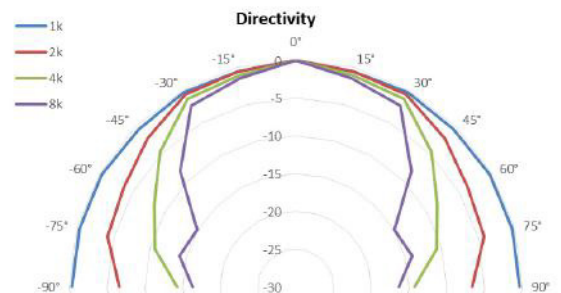
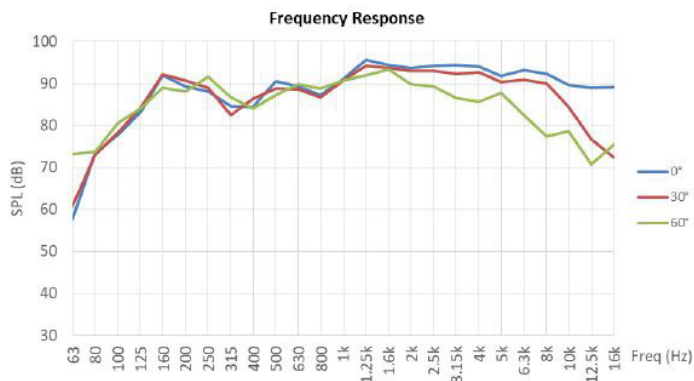
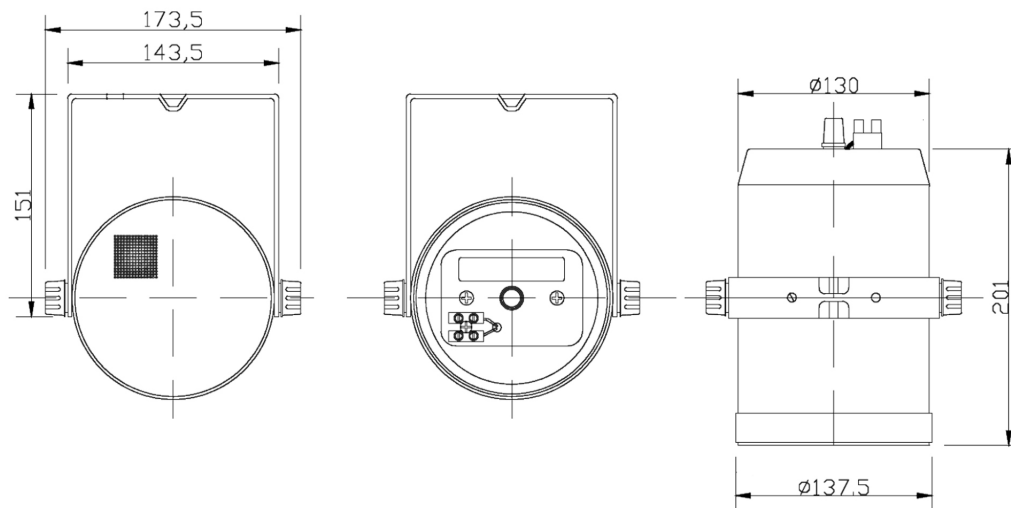


### 1 Overview

The VA-DIRECT loudspeaker is designed to generate the optimum masking sound for a variety of ceiling conditions. It's typically used in plenum space in up-firing configuration but it can also be used in down-firing configuration when the plenum is very high.



Specifications	
Power	10 W
Line Voltage	25 V
Sensitivity	91 dB
Enclosure Material	Fireproof ABS plastic
Frequency Response	100 Hz to 10 kHz
Connectors	4mm (5/32") Screw terminals
Driver	13 cm (5") full range
Color	Black or White
Weight	1.6 kg (3.5 lbs)
Shipping Weight	1.8 kg (4 lbs)
Box Dimensions	18 x 18 x 29 cm (7 x 7 x 11½")



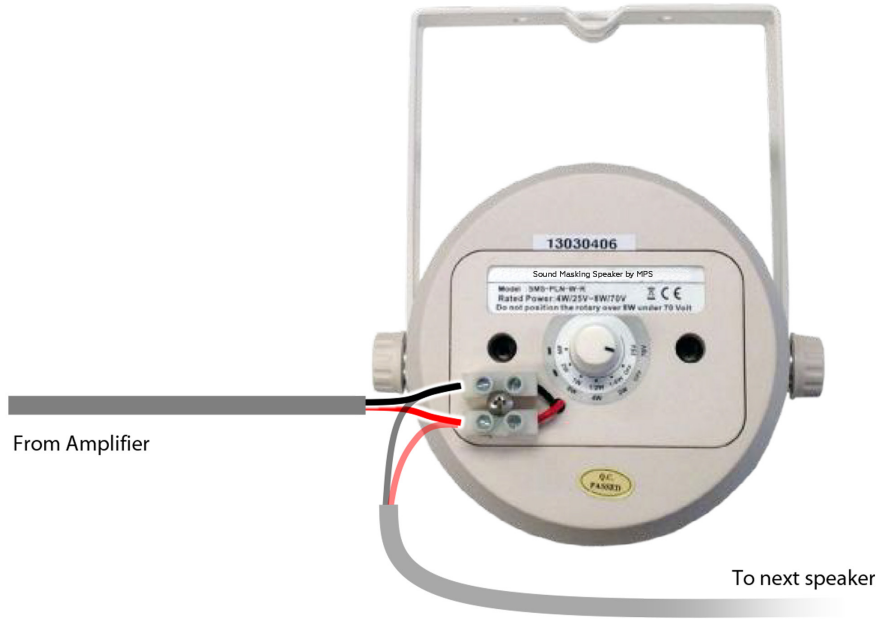
## 3 Installation

### 3.1 Safety Instructions

- Read and keep these instructions.
- Heed all warnings and follow all instructions contained within this manual.
- Install in accordance with the manufacturer's instructions.
- Clean only with dry cloth.
- Do not install near water.
- Do not block any ventilation openings.
- Do not install near any heat sources such as radiators, heat registers, stoves, or other apparatus (including amplifiers) that produce heat.
- Use the power cord with sealed mains plug appropriate for your local main supply as provided with the equipment. If the provided plug does not fit into you outlet contact the manufacturer.
- Protect the power cord from being walked on or pinched particularly at plugs, convenience receptacles, and the point where they exit from the apparatus.
- Only use attachments and accessories specified by the manufacturer.
- Refer all servicing to qualified service personnel. Servicing is required when the apparatus has been damaged in any way, such as when the power-supply cord or plug is damaged, liquid has been spilled or objects have fallen into the apparatus, the apparatus has been exposed to rain or moisture, does not operate normally, or has been dropped.
- Operate the product only with the voltage specified on the unit. Fire and/or electric shock may result if a higher voltage is used.
- Do not modify, kink, or cut the power cord. Do not place the power cord in close proximity to heaters and do not place heavy objects on the power cord and/or the product itself, doing so may result in fire or electrical shock.
- Be sure the installation of this product is stable, avoid slanted surfaces as the product may fall and cause injury, property damage, electrocution and/or fire.
- Do not open the cover.

### 3.2 Connecting the Speaker

Connect the wires from the amplifier to the speaker using the screw terminals. When connecting multiple speakers, twist the cables together and insert them in the same connectors.



### 3.3 Securing the Speaker

Secure the speakers to the ceiling deck using a chain (not supplied) fastened to the hole on the bracket.

